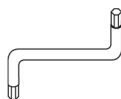
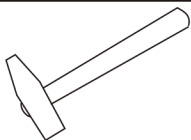
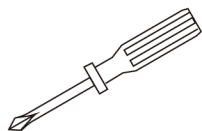




Gebrauchs- u. Montageanleitung - Servicekarte  
 Assembly instructions - service card

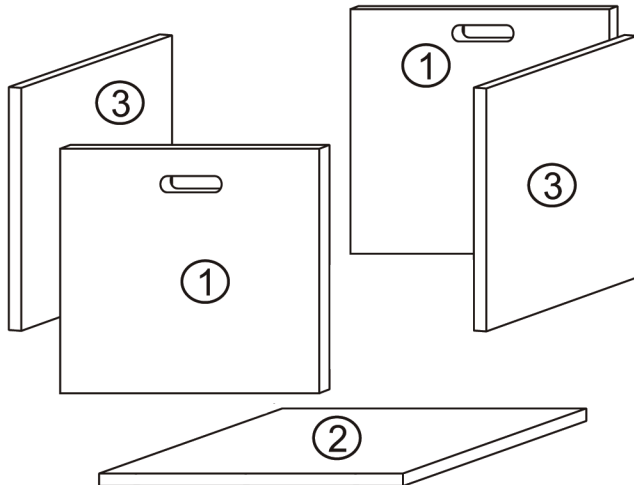
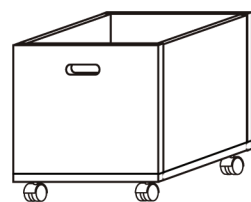
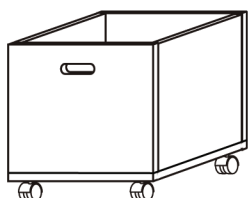
Ident.-Nr



050207-1

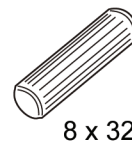
77316

2x

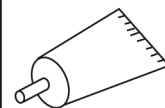


A = 24 x

B = 2 x

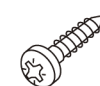
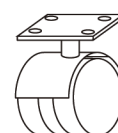


8 x 32



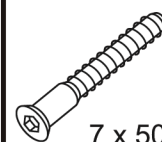
C = 8 x

D = 32 x



3,5 x 15

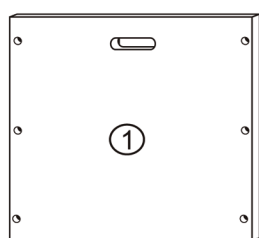
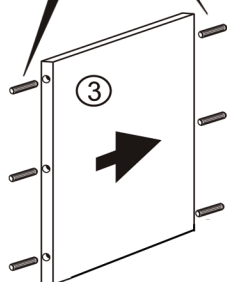
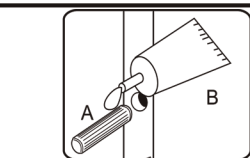
E = 16 x



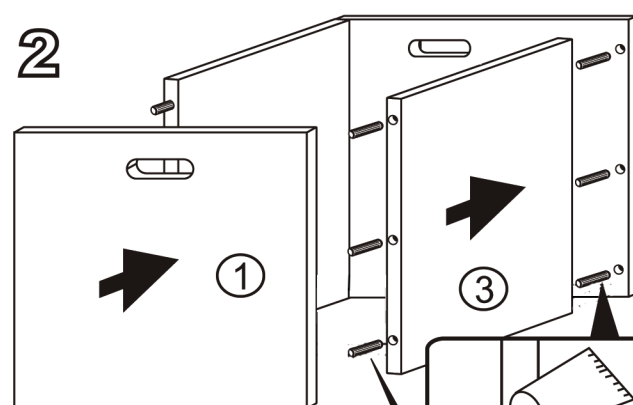
7 x 50

1

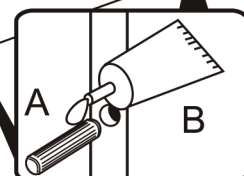
2x



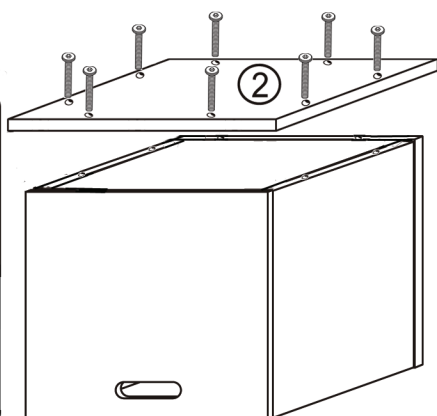
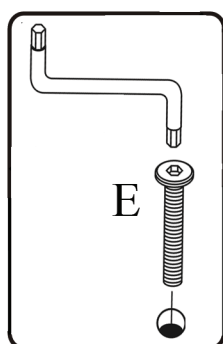
2



2x

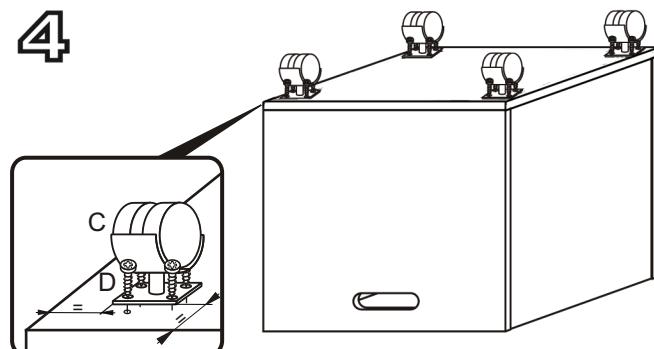


3



2x

4



2x