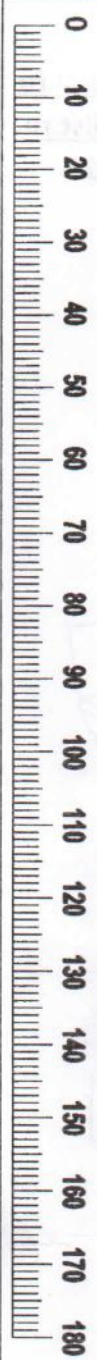
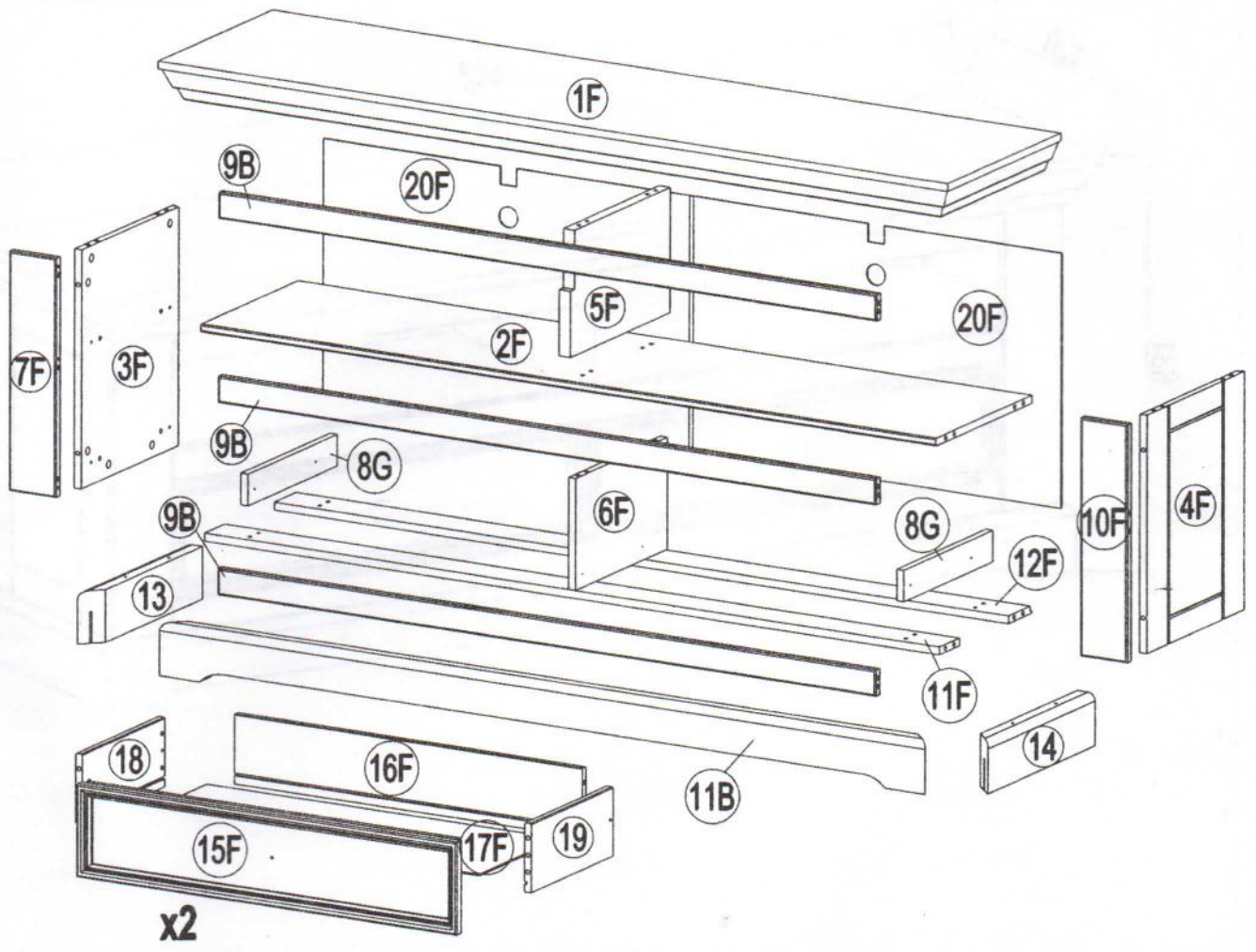


50 min

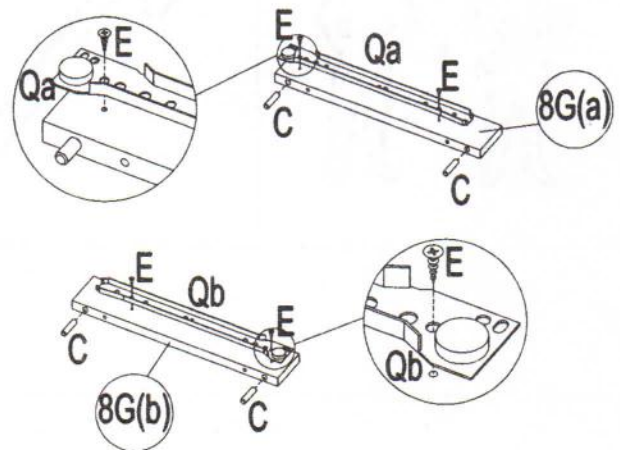
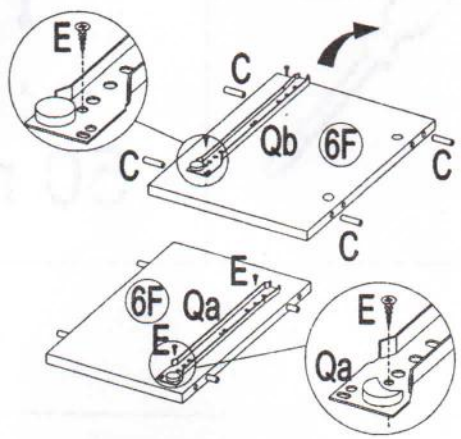
EAC

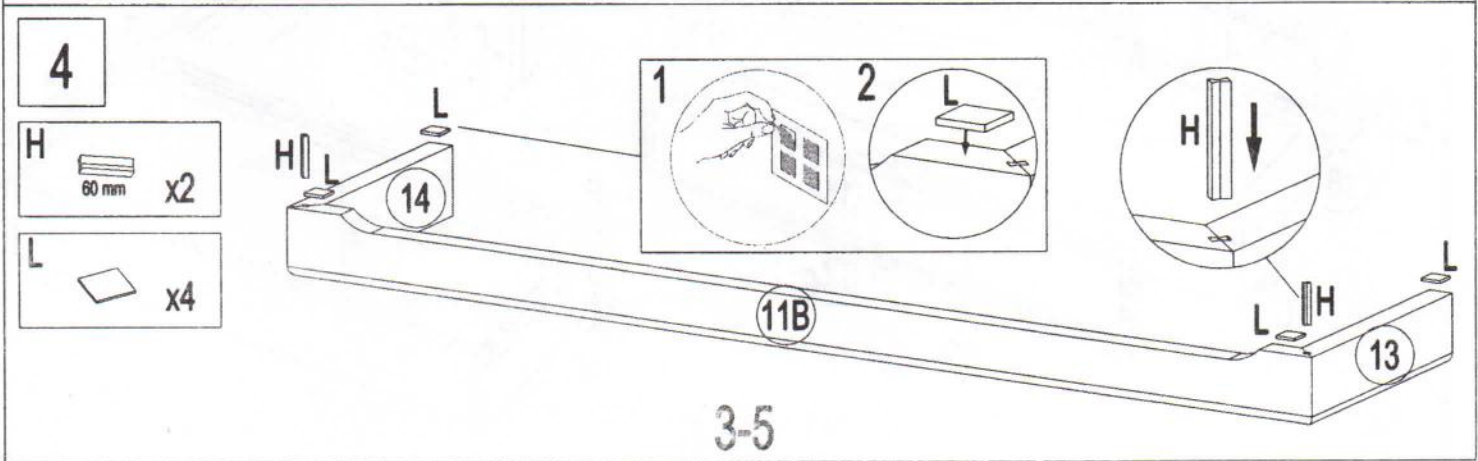
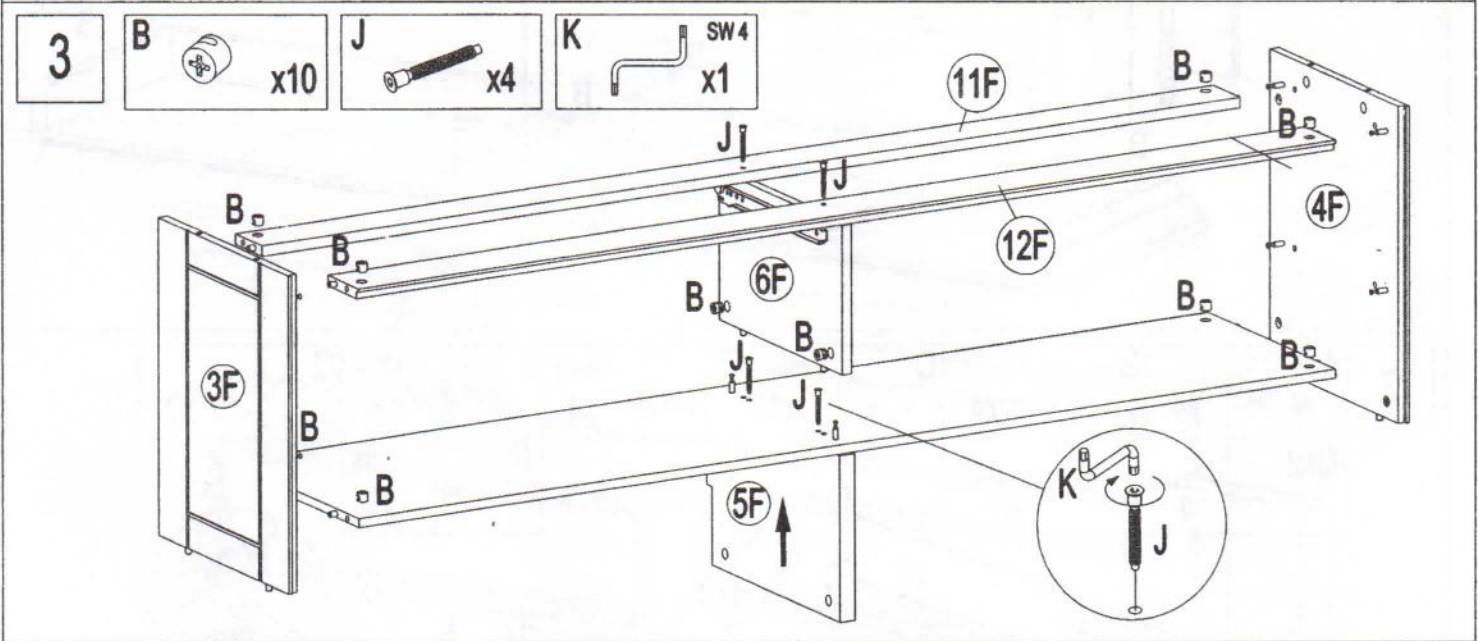
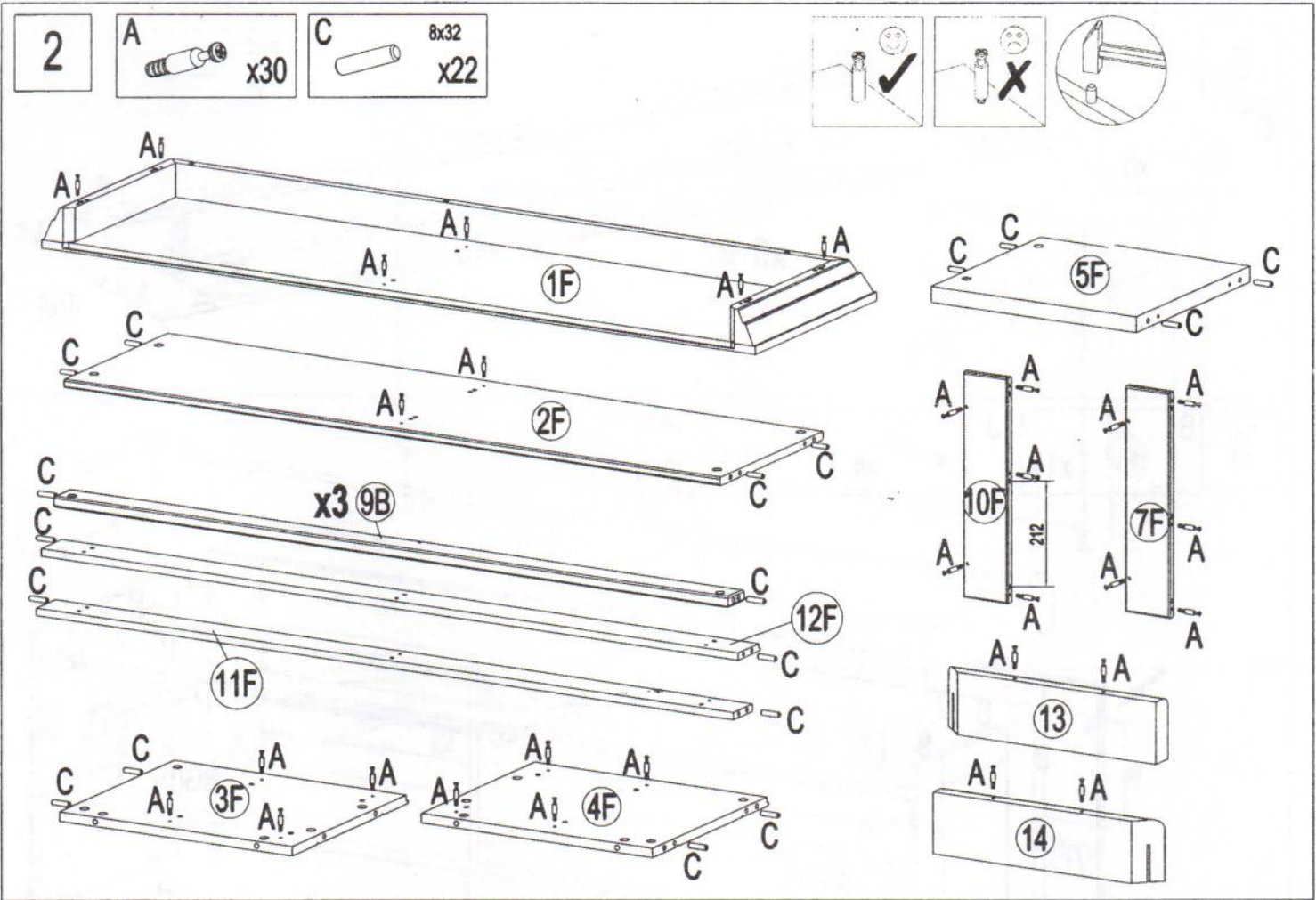


- | | | | | | |
|----------------------|----------------------|------------------------------|------------------------|------------------------|-----------------------|
| A
x34 | B
x34 | C
8x32 x46 | D
1.2x20 x25 | E
3.5x15 x18 | F
3.5x35 x4 |
| G
x2 | H
60 mm x2 | J
x8 | K
SW 4 x1 | L
x4 | M
5x50 x2 |
| N
8x50 x2 | P
x2 | Qx2
a) b) c) d) | | | |
| R
M4x18 x2 | | | | | |

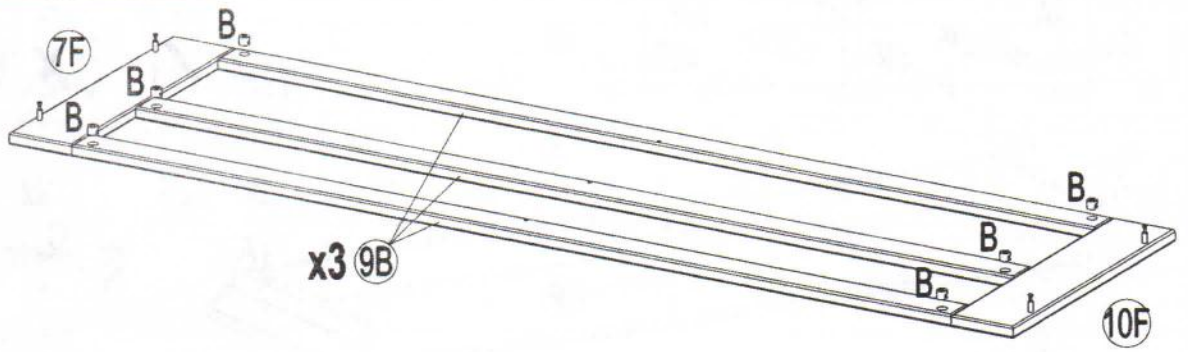


- | | | | |
|----------|---------------------|-----------------------|----------------------|
| 1 | C
8x32 x8 | E
3.5x15 x8 | Qx2
a) b) |
|----------|---------------------|-----------------------|----------------------|

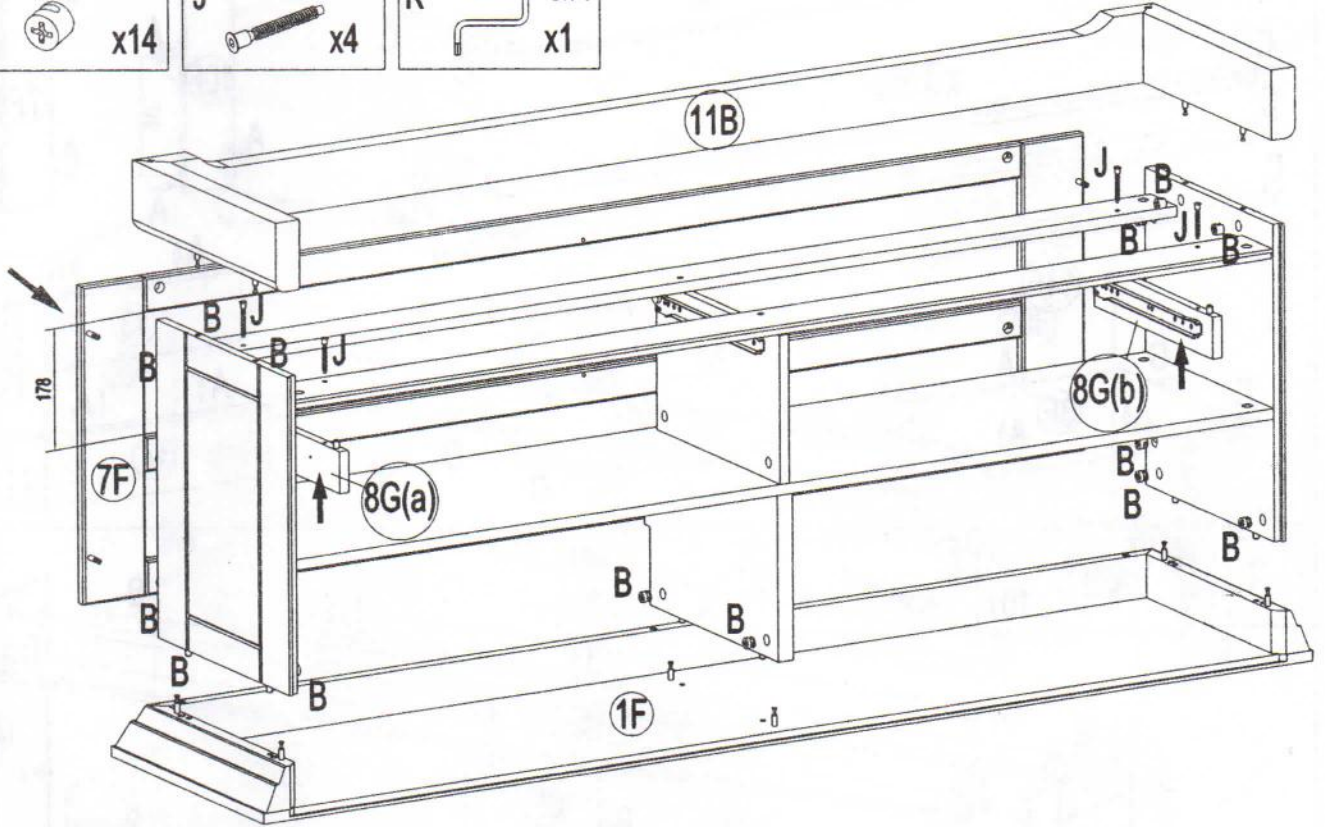
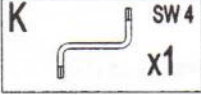




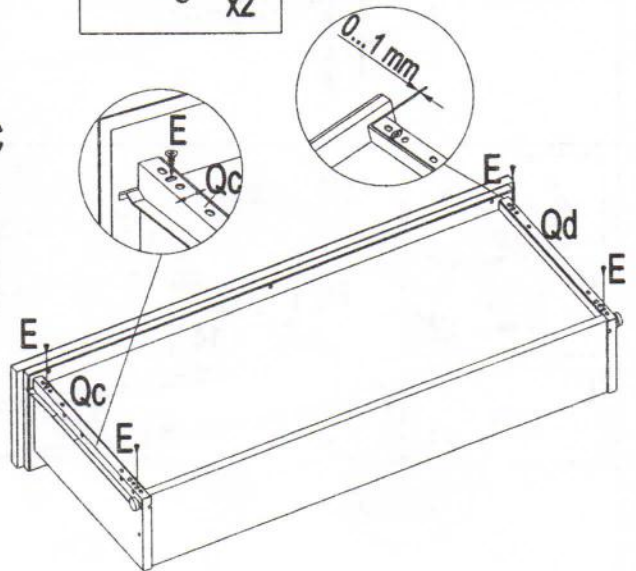
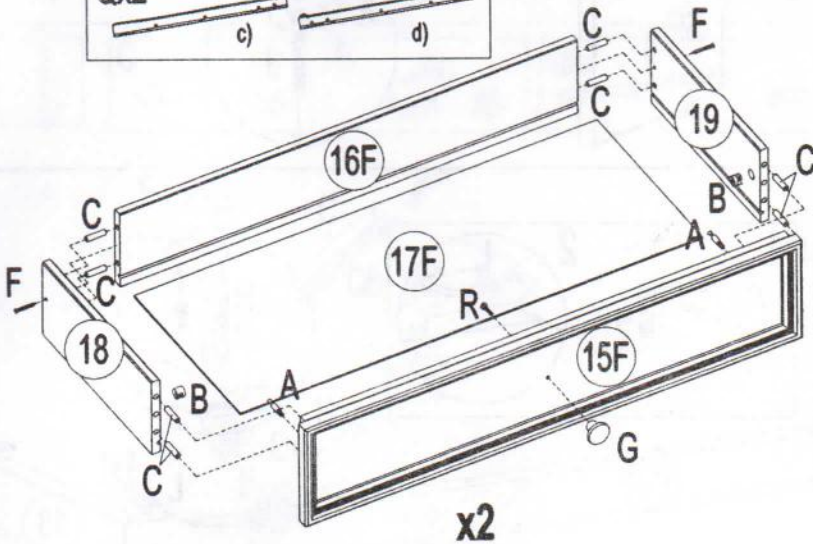
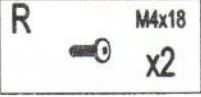
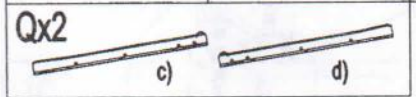
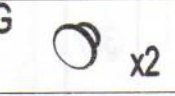
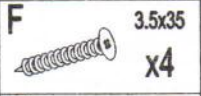
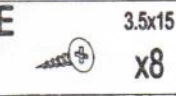
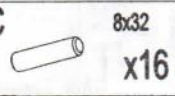
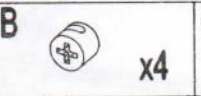
5



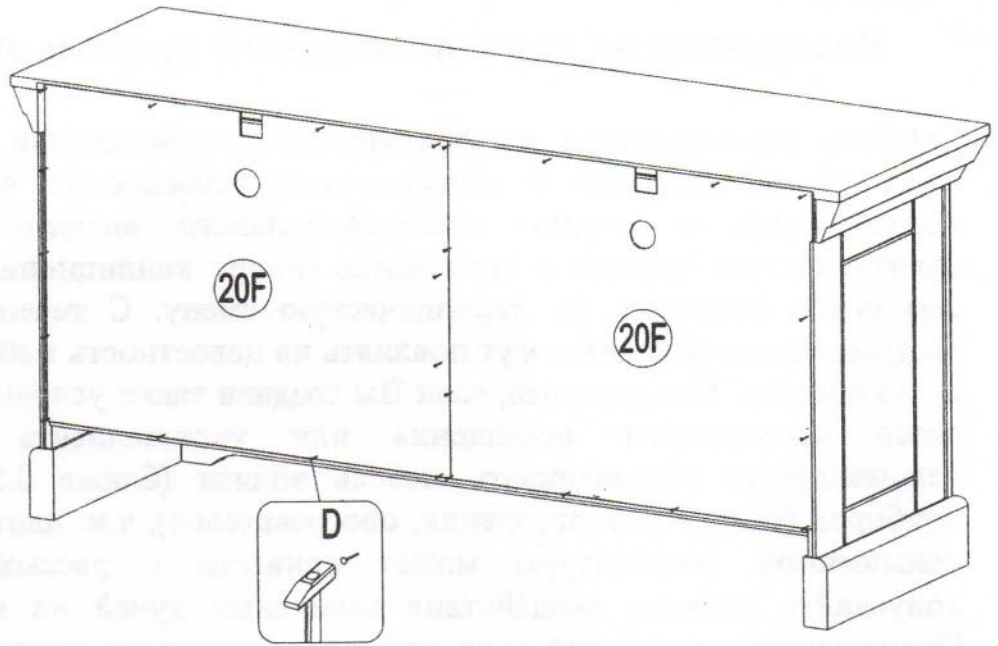
6



7



8 **D** 1.2x20
x25



9 **E** 3.5x15 x2 **M** 5x50 x2 **N** 8x50 x2 **P** x2

