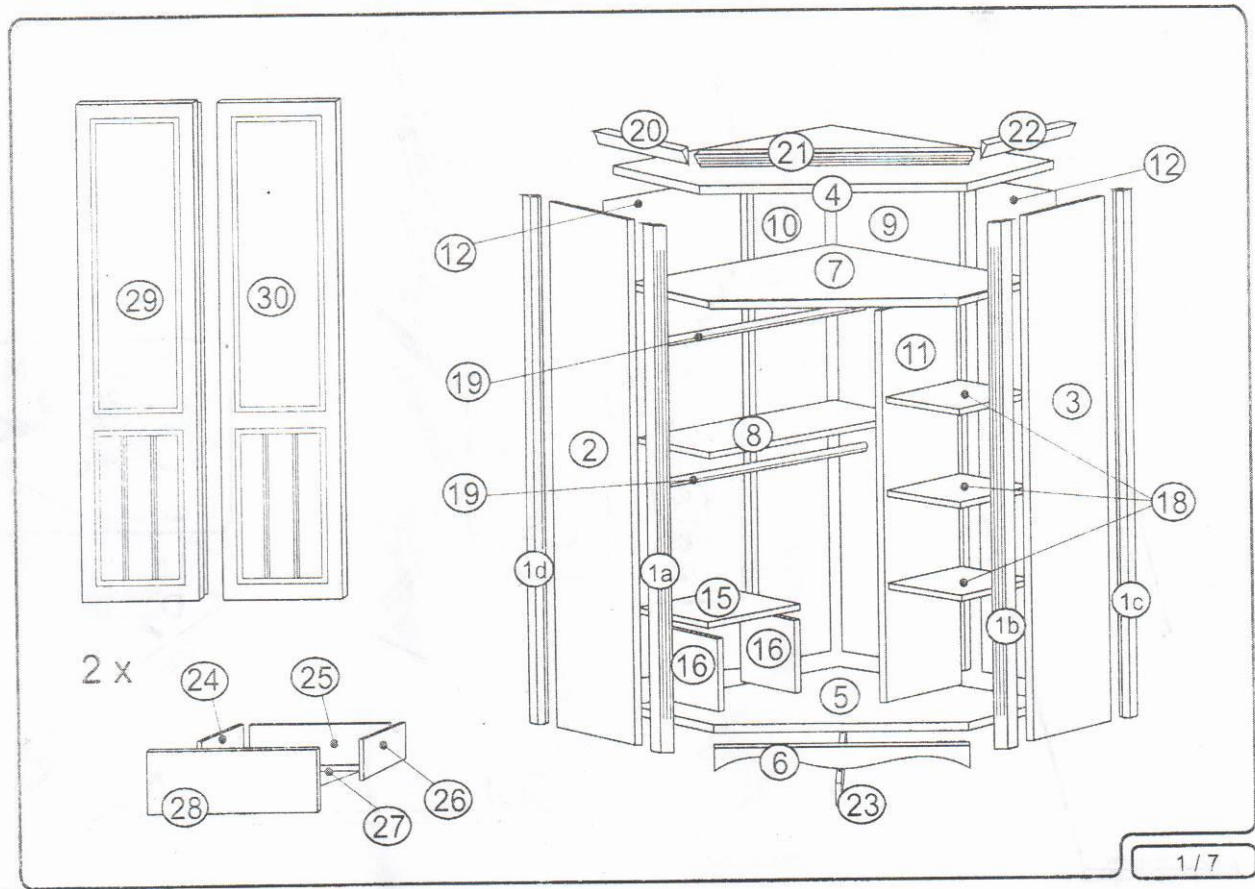
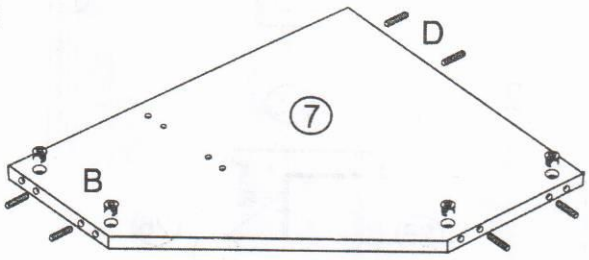
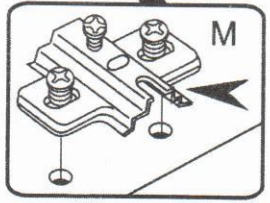
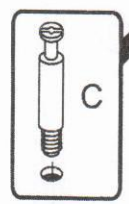
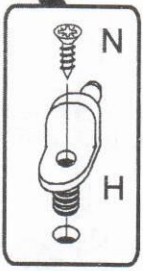
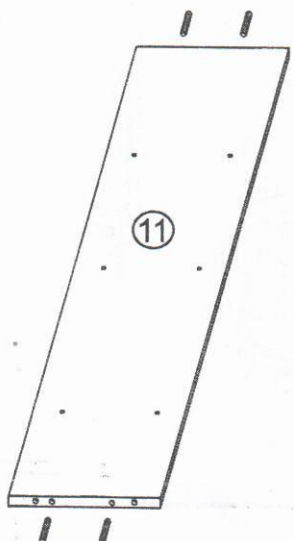
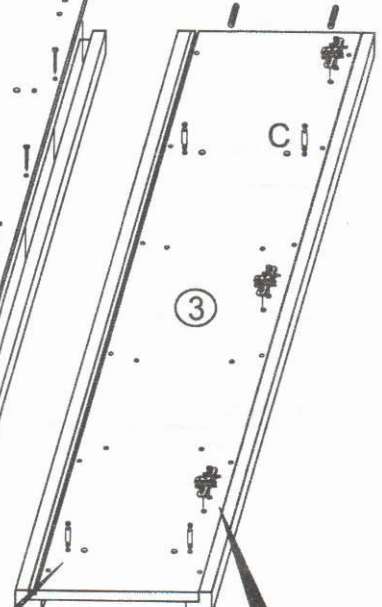
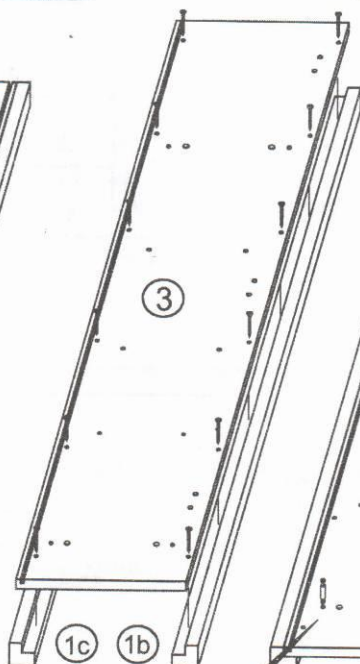
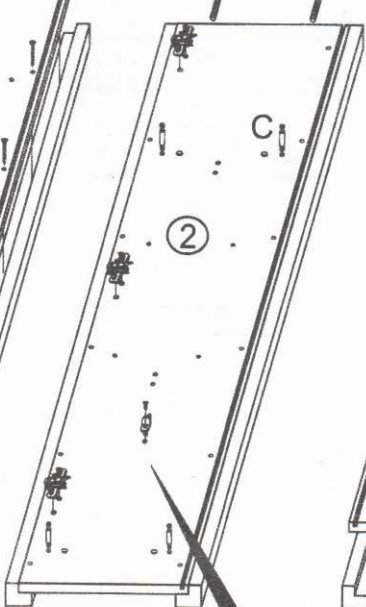
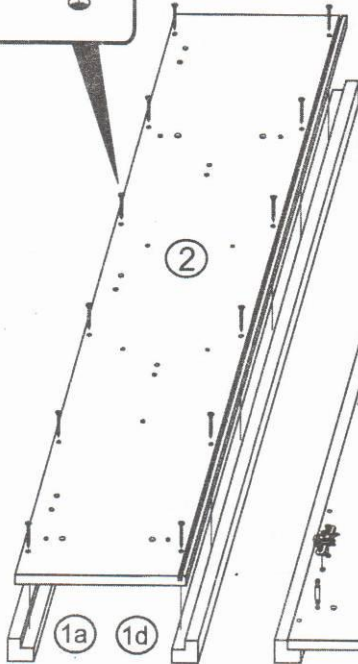
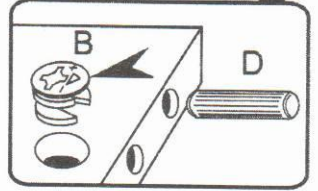
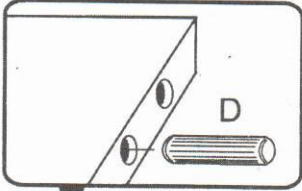
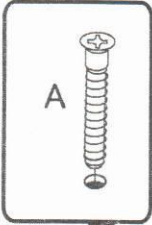
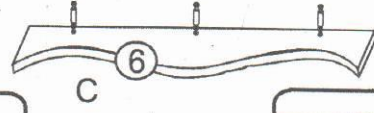
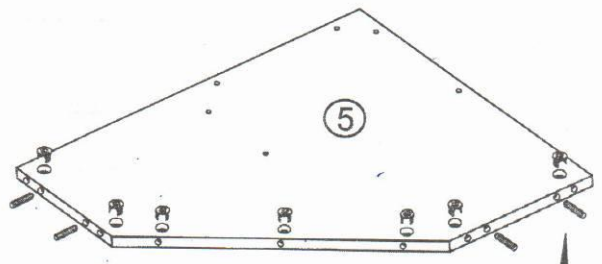
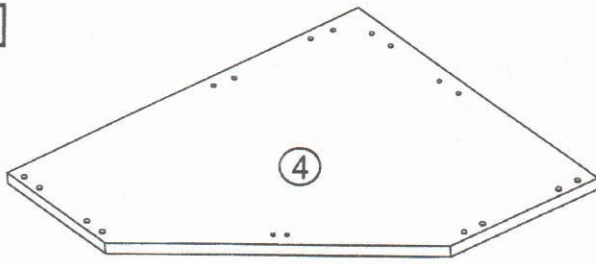
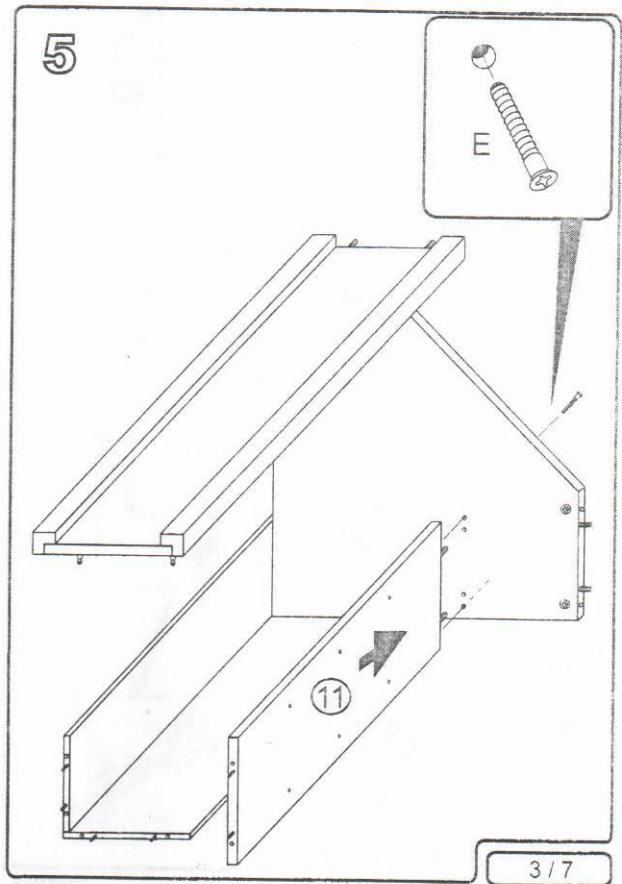
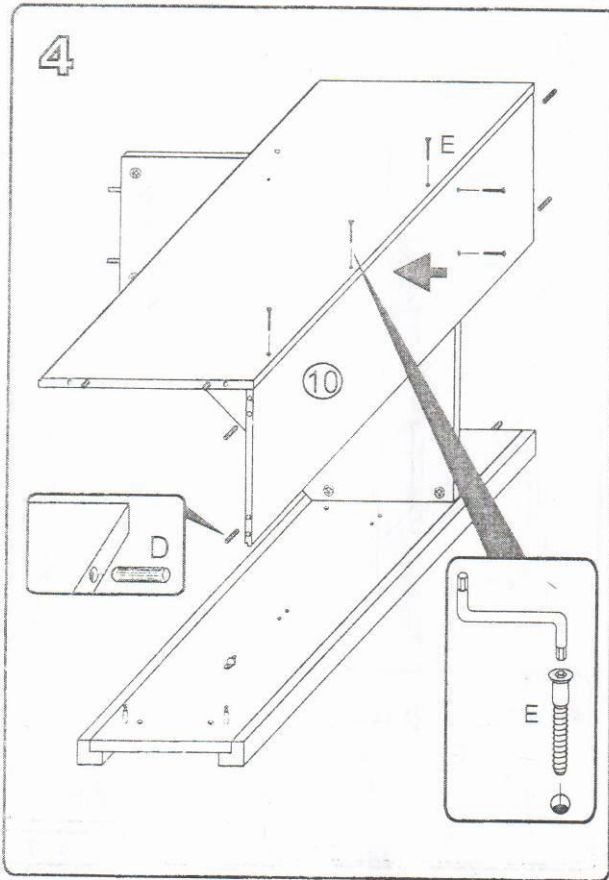
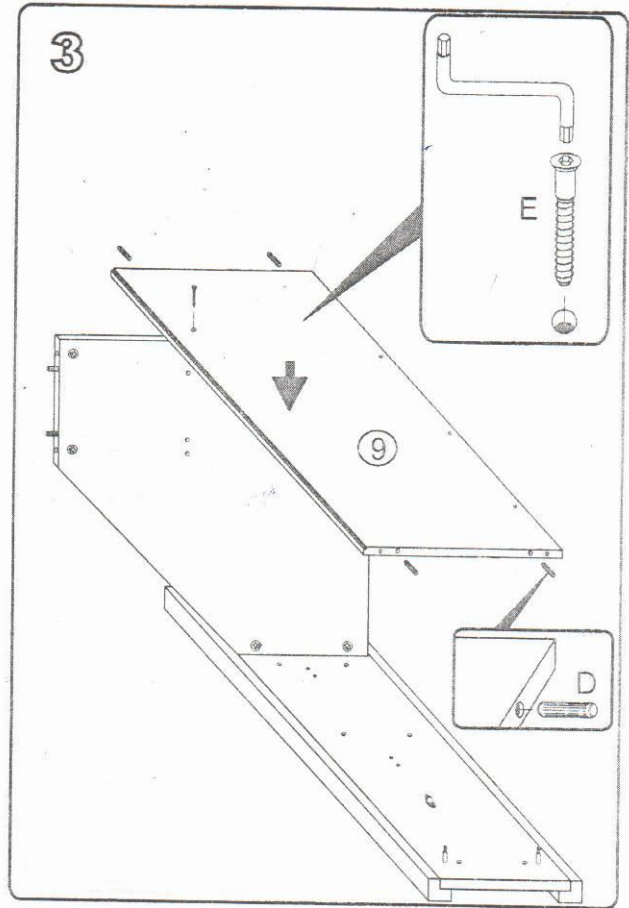
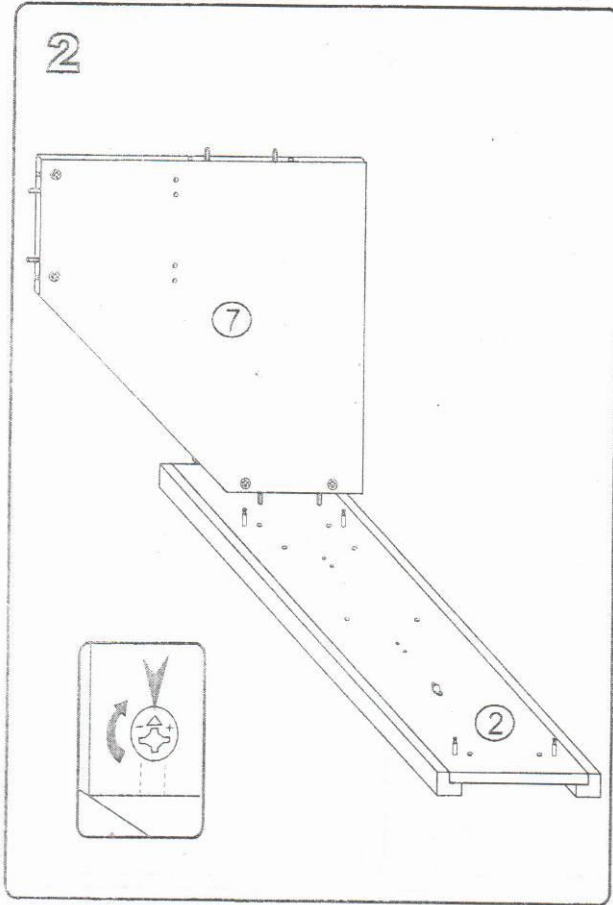


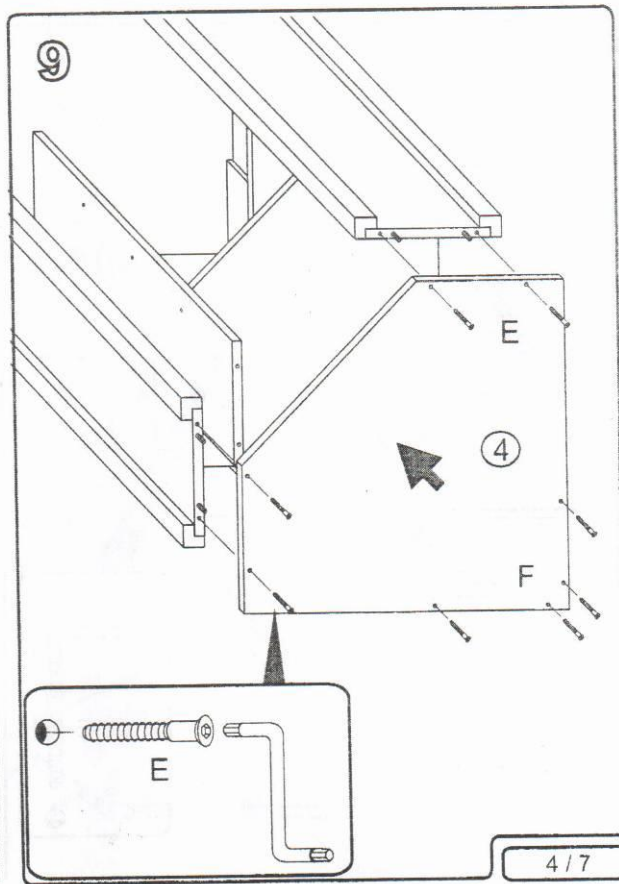
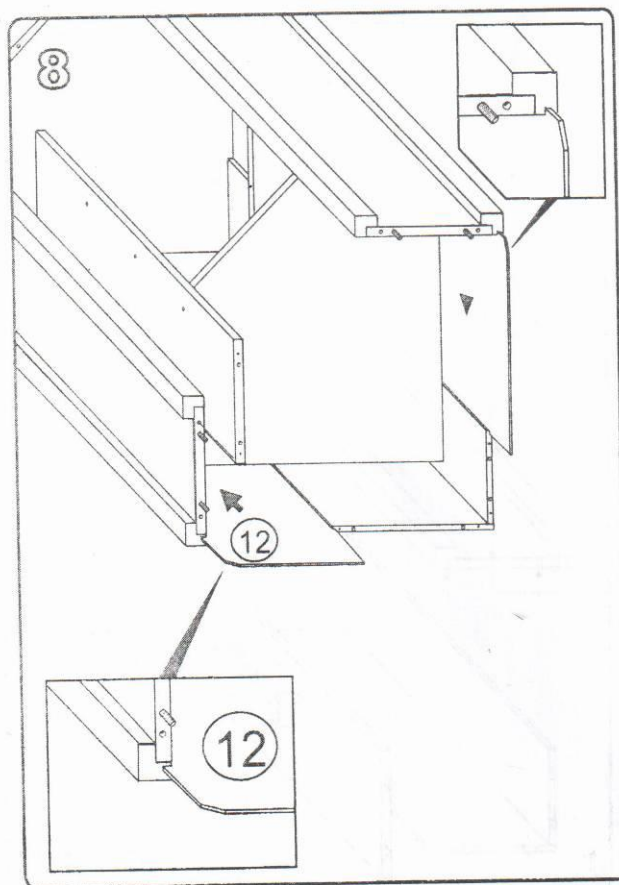
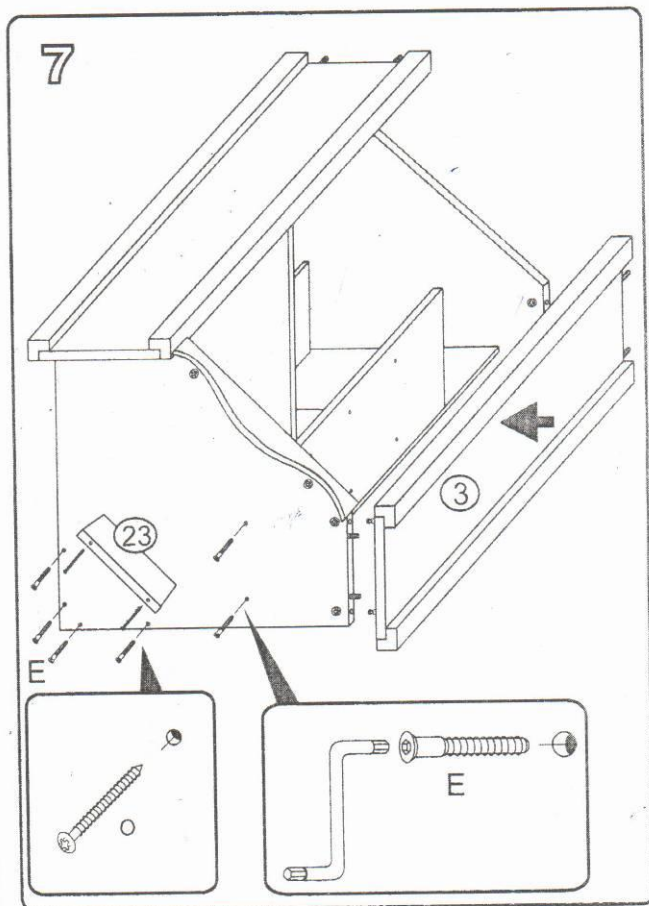
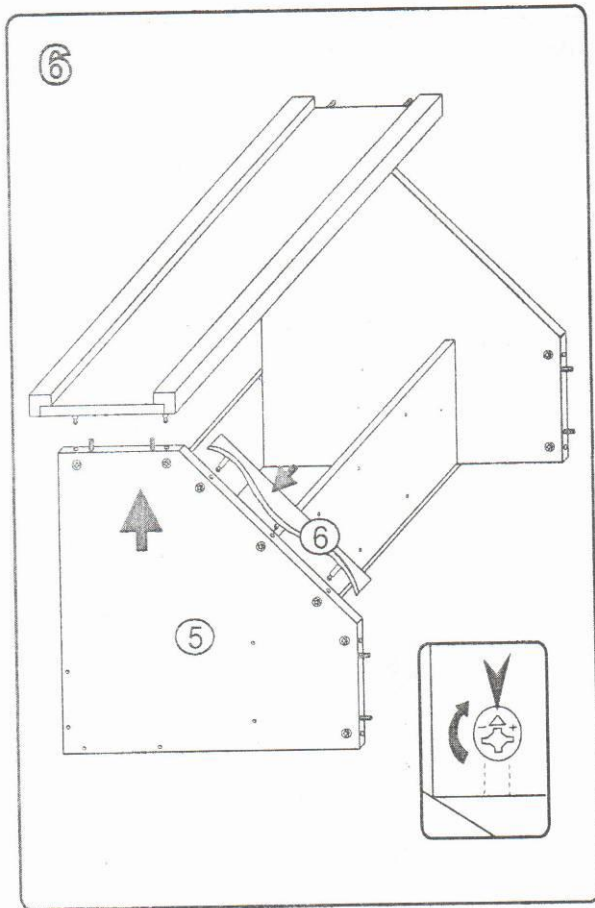
11(12)490		A = 24 x  5x38	B = 27 x 	C = 27 x 	D = 34 x  8 x 32	E = 22 x  7 x 50	F = 2 x 	G = 16 x 
		H = 1 x 	I = 1 x 	J = 1 x 	K = 9 x  4.0 x 35	L = 6 x 	M = 6 x 	N = 39 x  3.5 x 15
		O = 2 x  4.0 x 50	P = 	Q = 4 x 	R = 4 x 	S = 7 x 	T = 8 x 	U = 1 x  M 4 x 10
		V = 2 x 	X = 2 x 		Z = 4 x 	Z1 = 4 x 	Z2 = 1 x 	
		W = 2 x 	Y = 2 x 				3.0 x 25 	
						Z3 = 1 x 	Z4 = 2 x 	Z5 = 4 x 

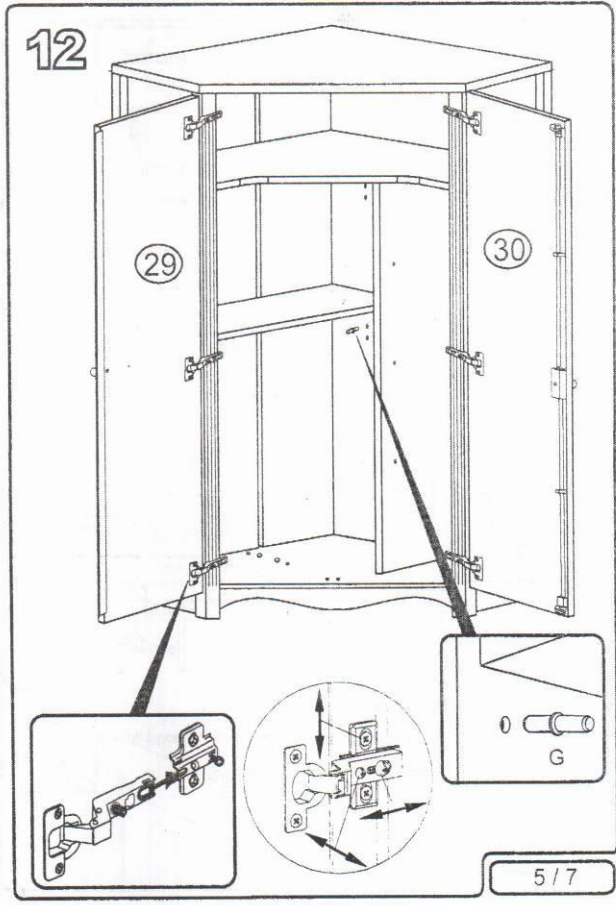
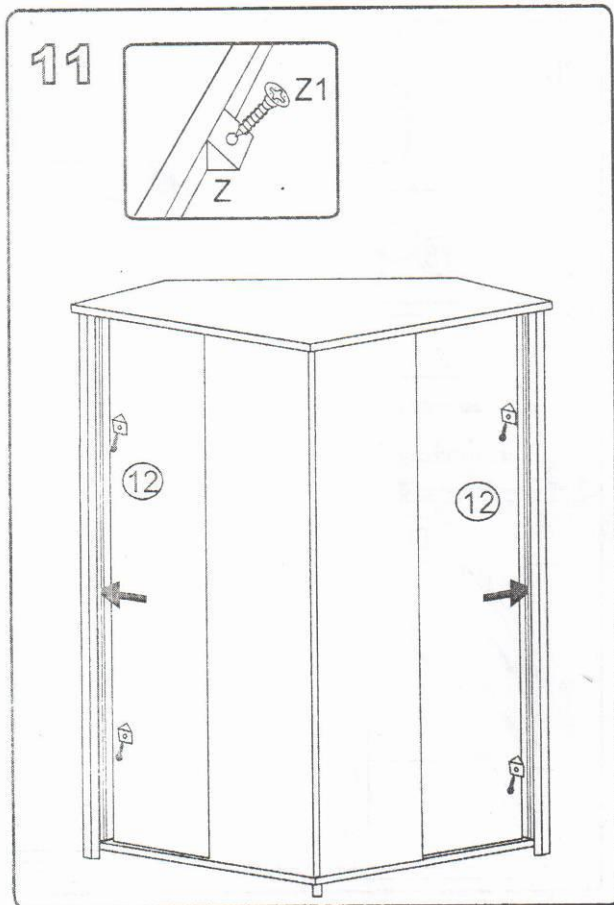
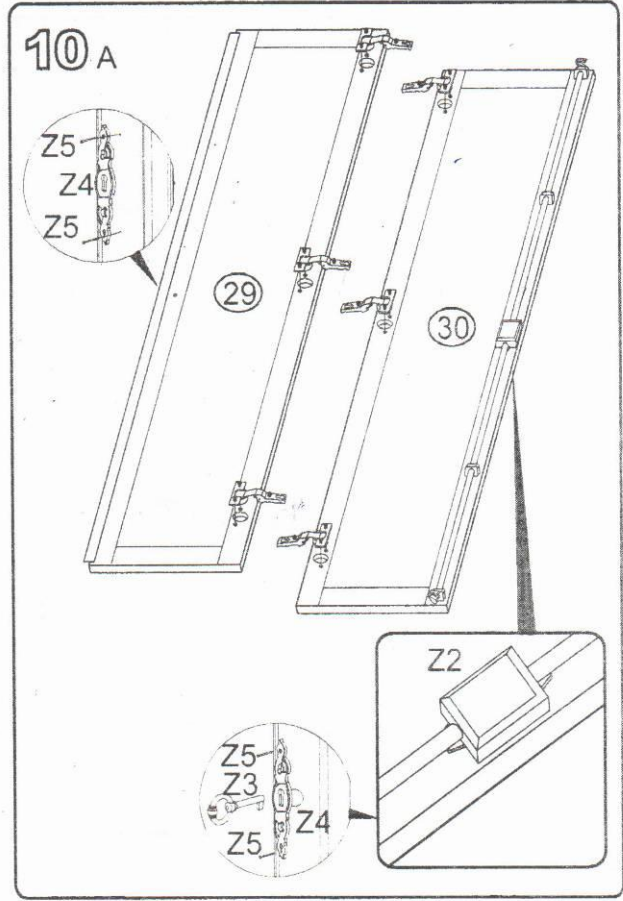
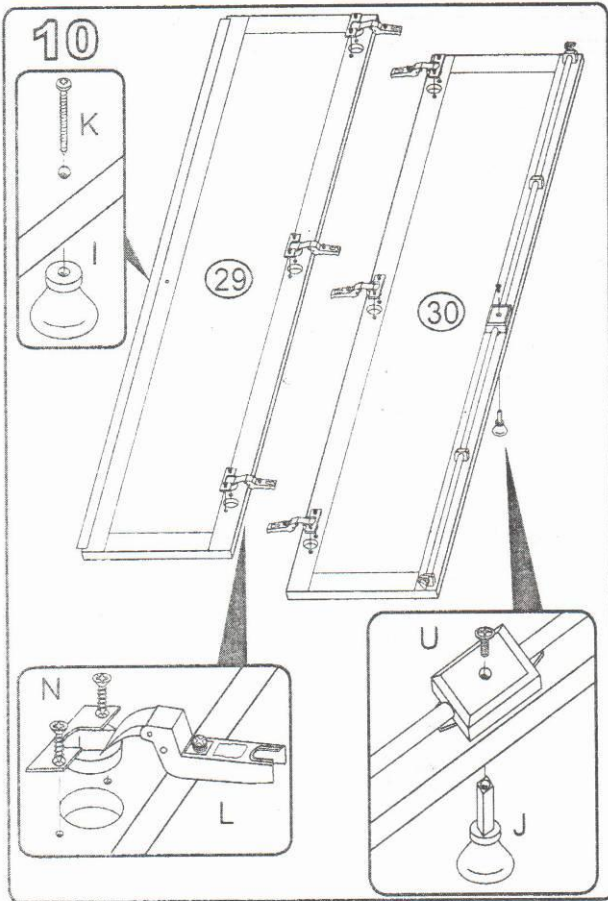


1

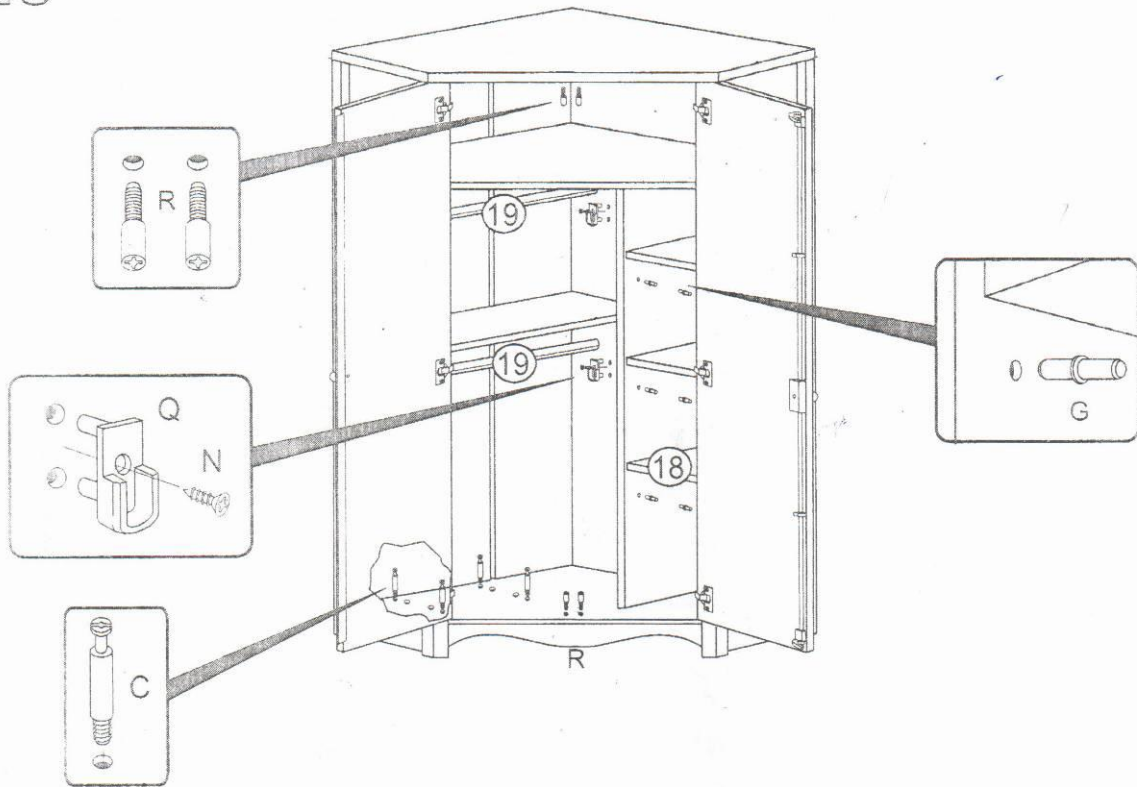




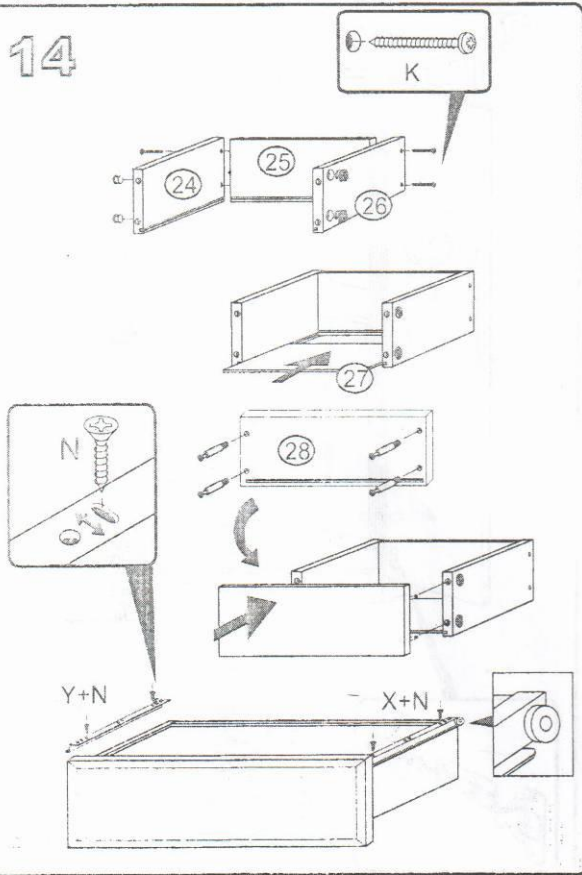




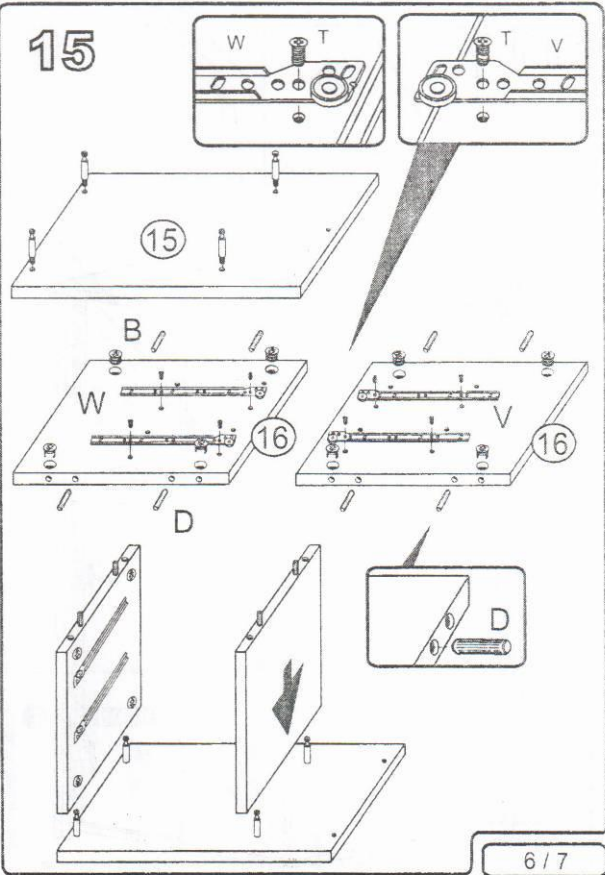
13



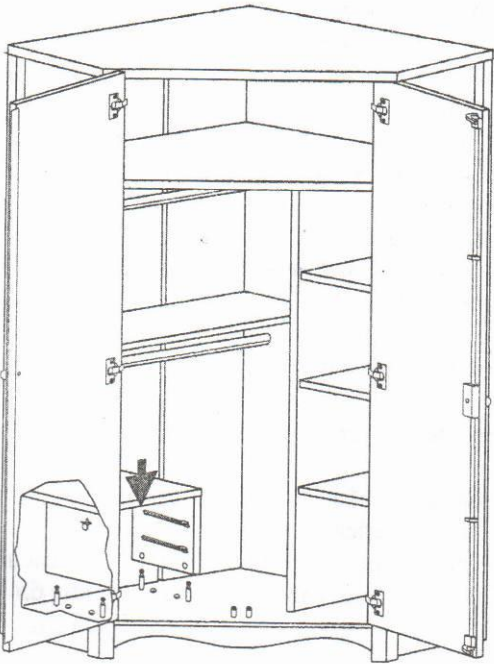
14



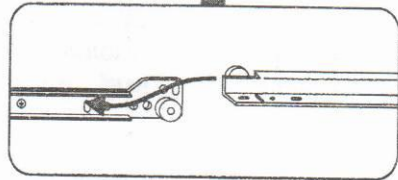
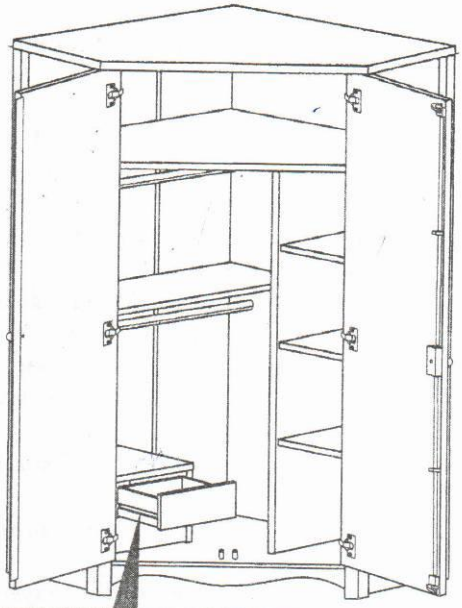
15



16



17



18

