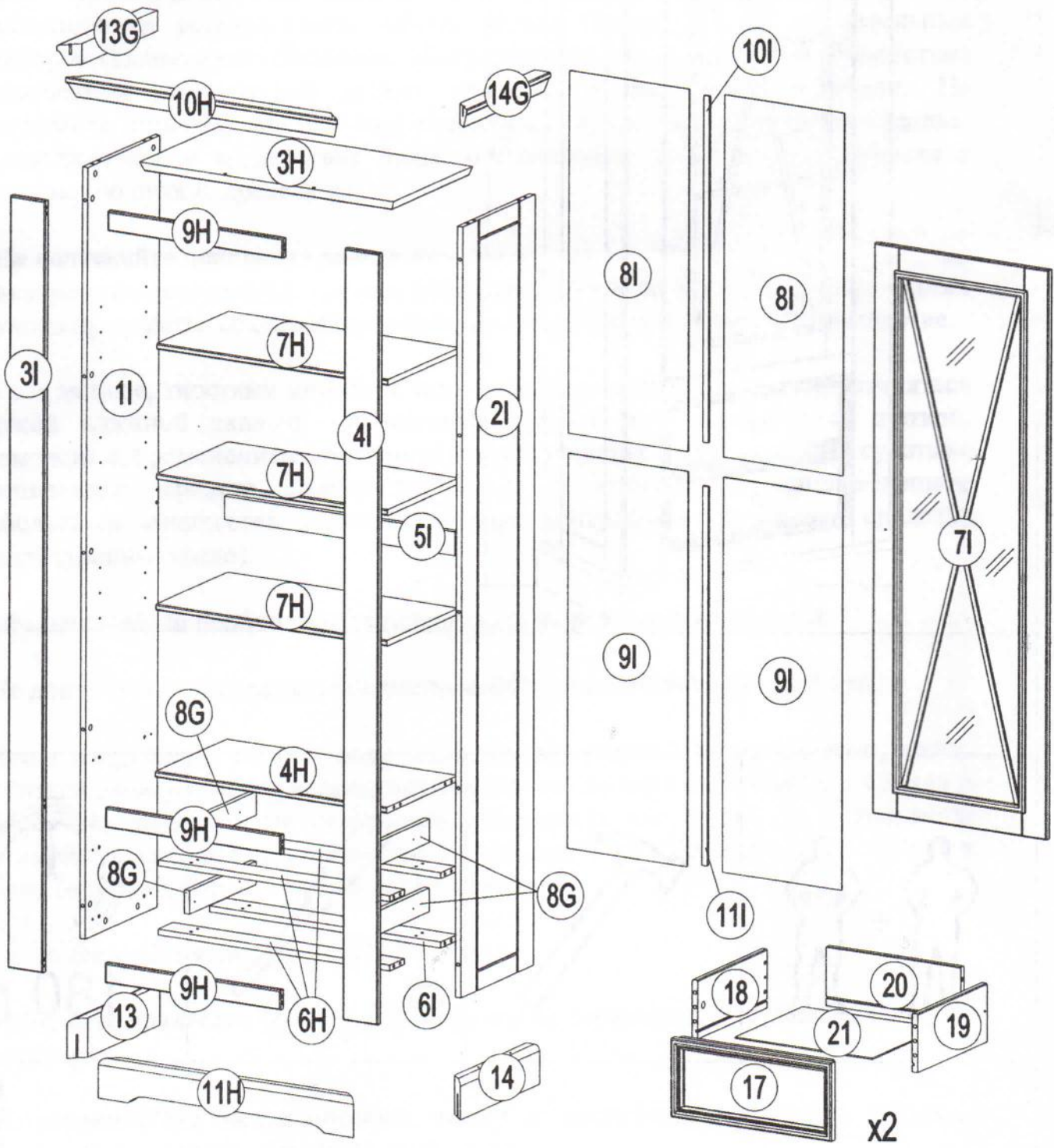
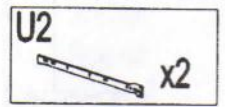
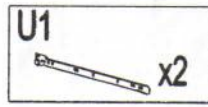
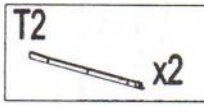
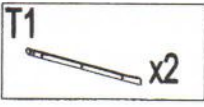
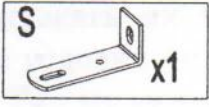
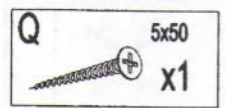
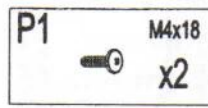
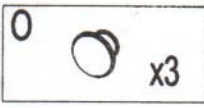
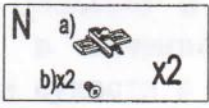
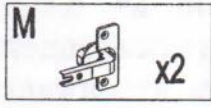
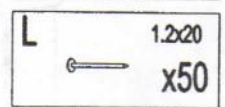
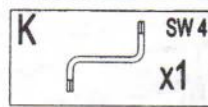
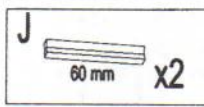
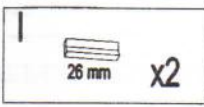
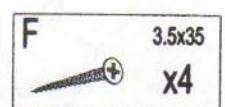
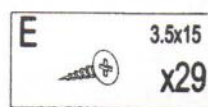
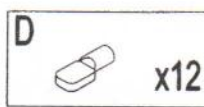
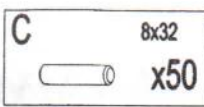
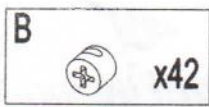
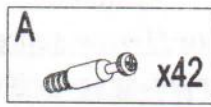







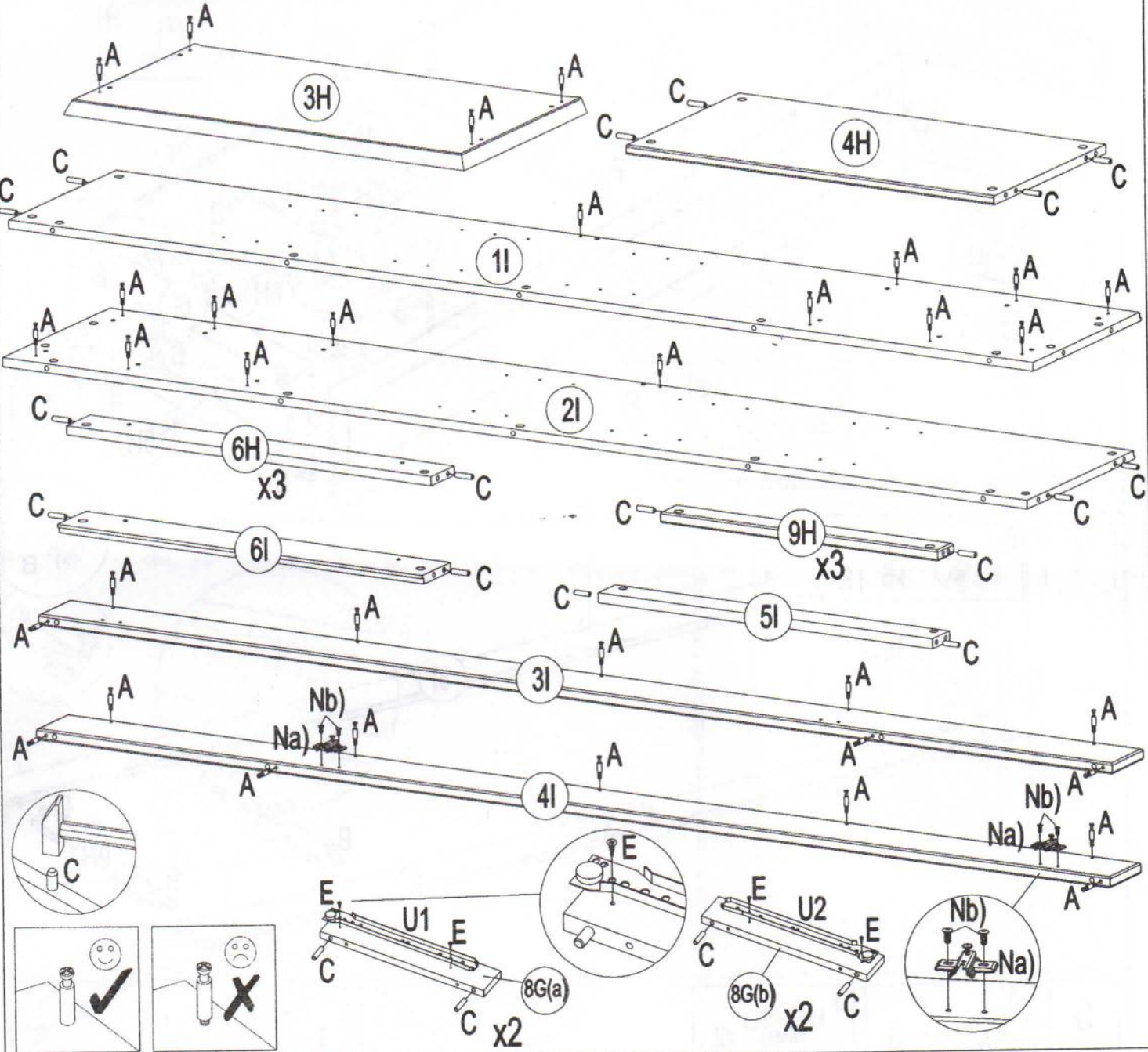


180 min

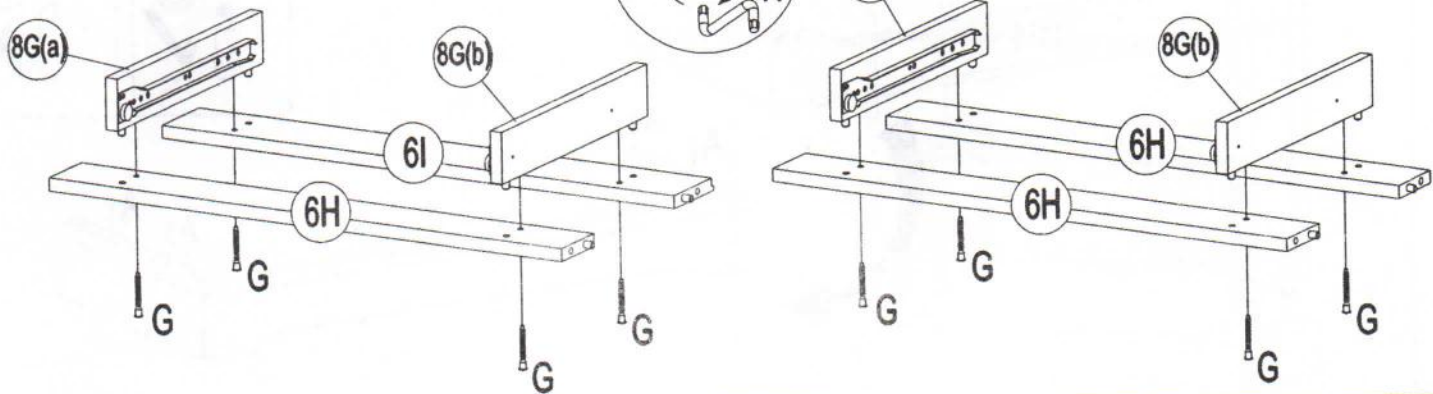
**EAC**




- |          |  |   |   |  |   |   |
|----------|--|---|---|--|---|---|
| <b>1</b> | <b>A</b>  x34 | <b>C</b>  8x32 x32 | <b>E</b>  3.5x15 x8 | <b>N</b> a)  x2<br>b)  x2 | <b>U1</b>  x2 | <b>U2</b>  x2 |
|----------|--|---|---|--|---|---|

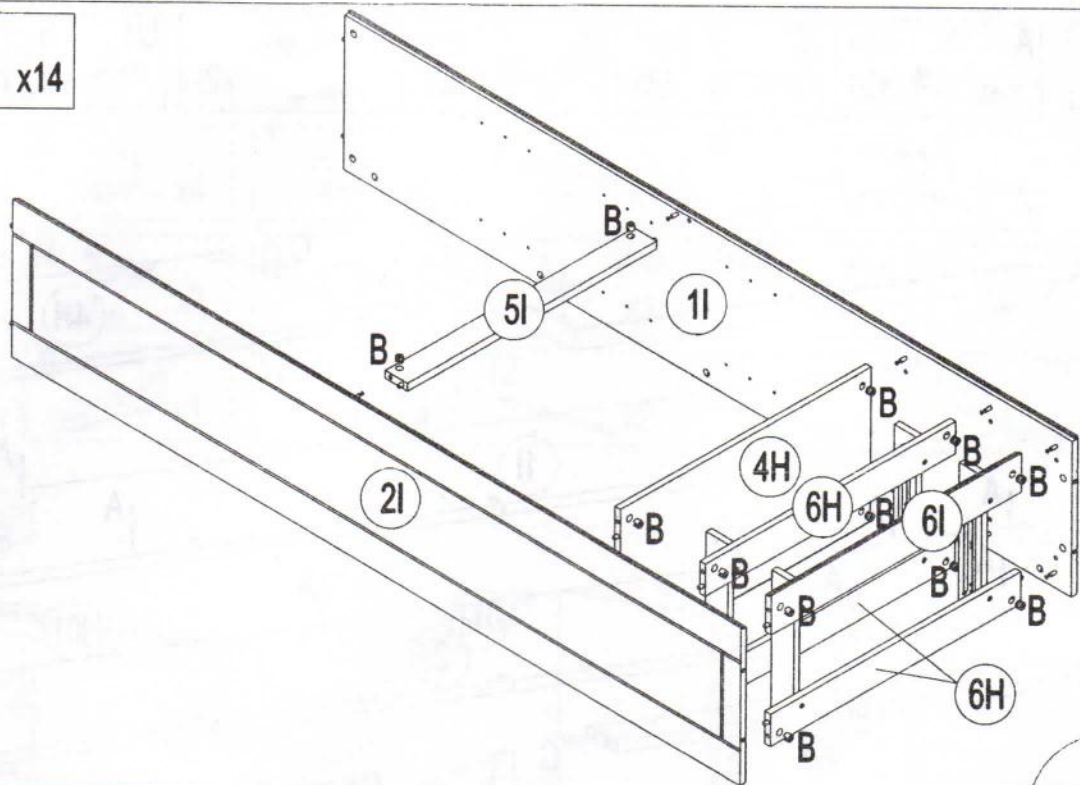


- |          |   |   |
|----------|---|---|
| <b>2</b> | <b>G</b>  x8 | <b>K</b>  SW4 x1 |
|----------|---|---|




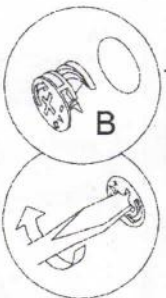
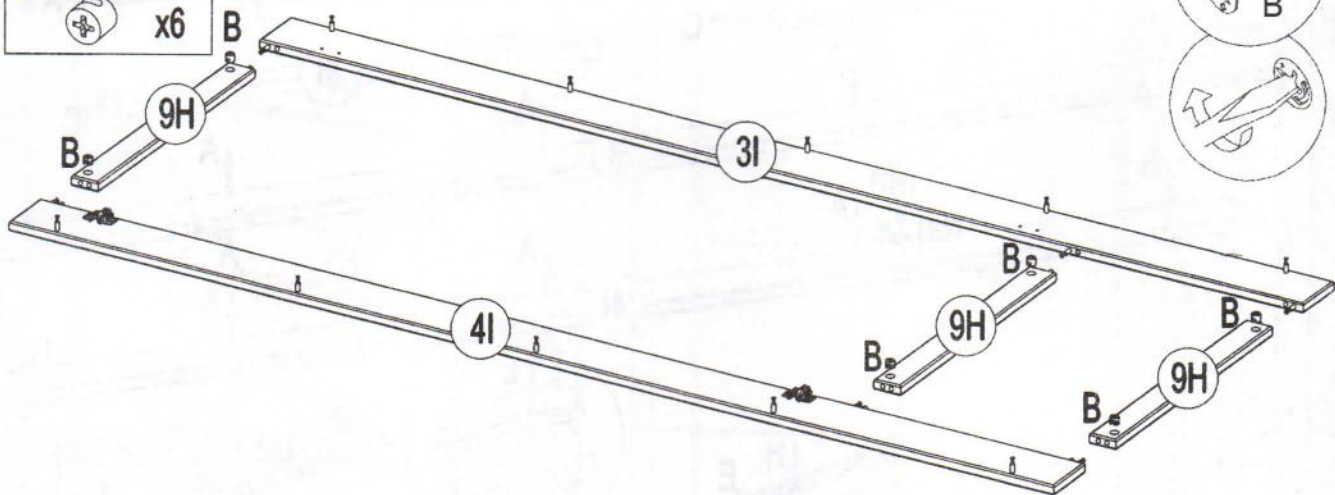
3

B  x14




4

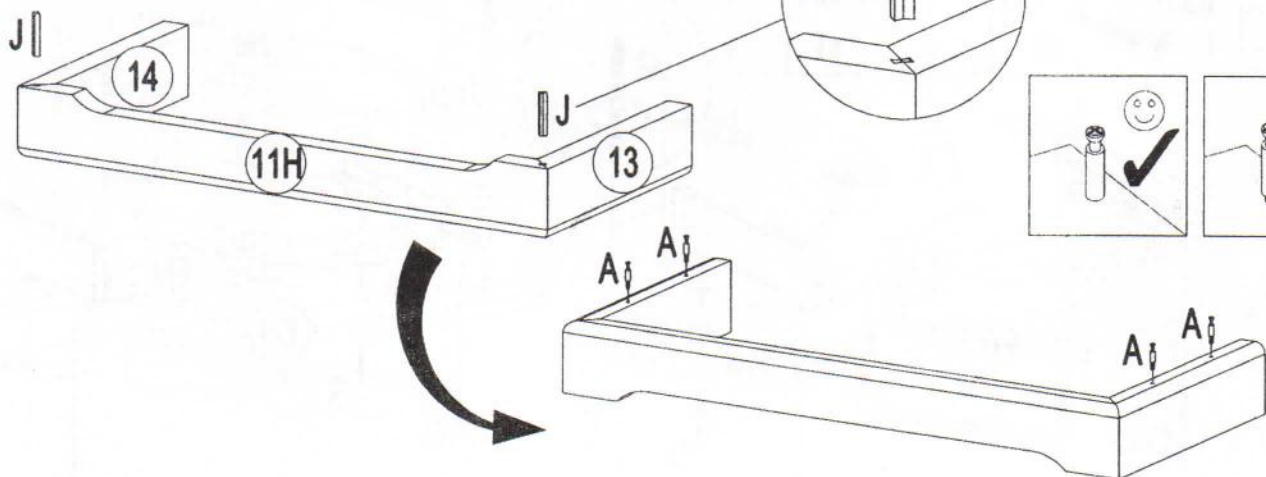
B  x6



5

A  x4

J  60 mm x2



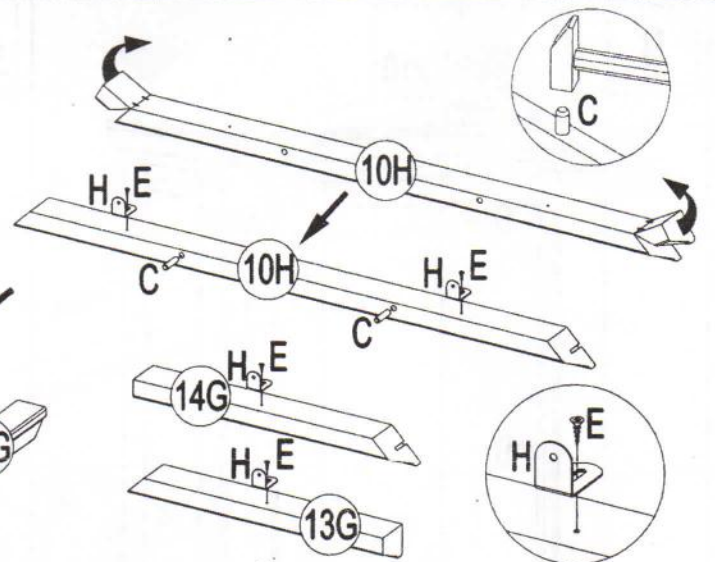
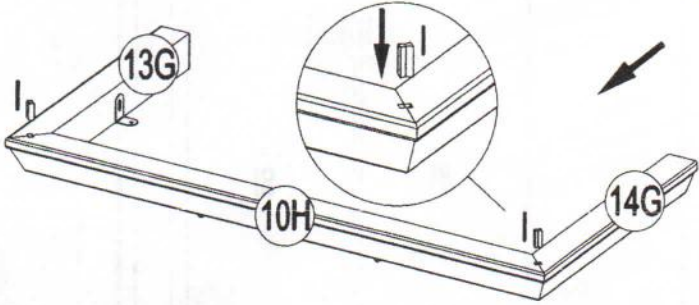
6

C 8x32 x2

E 3.5x15 x4

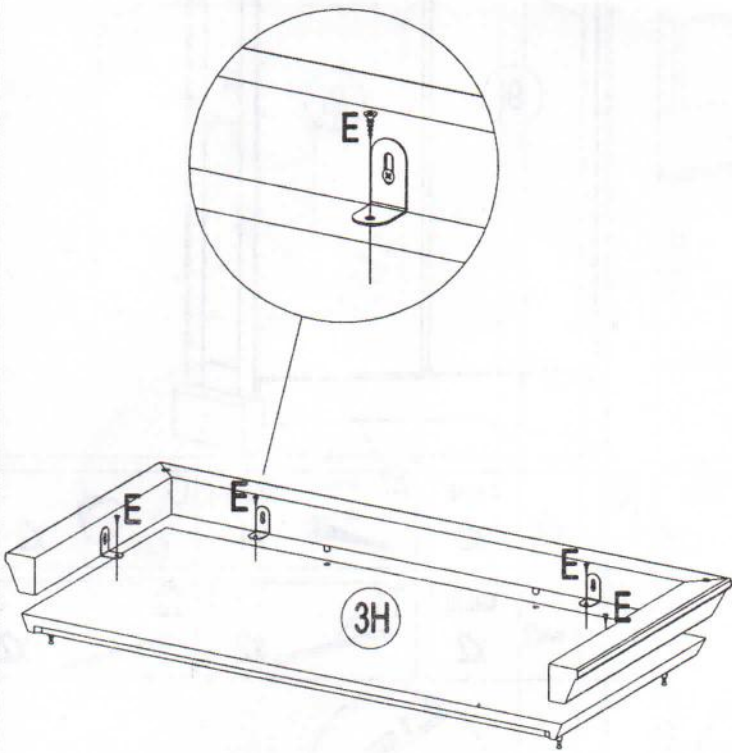
H x4

I 26 mm x2



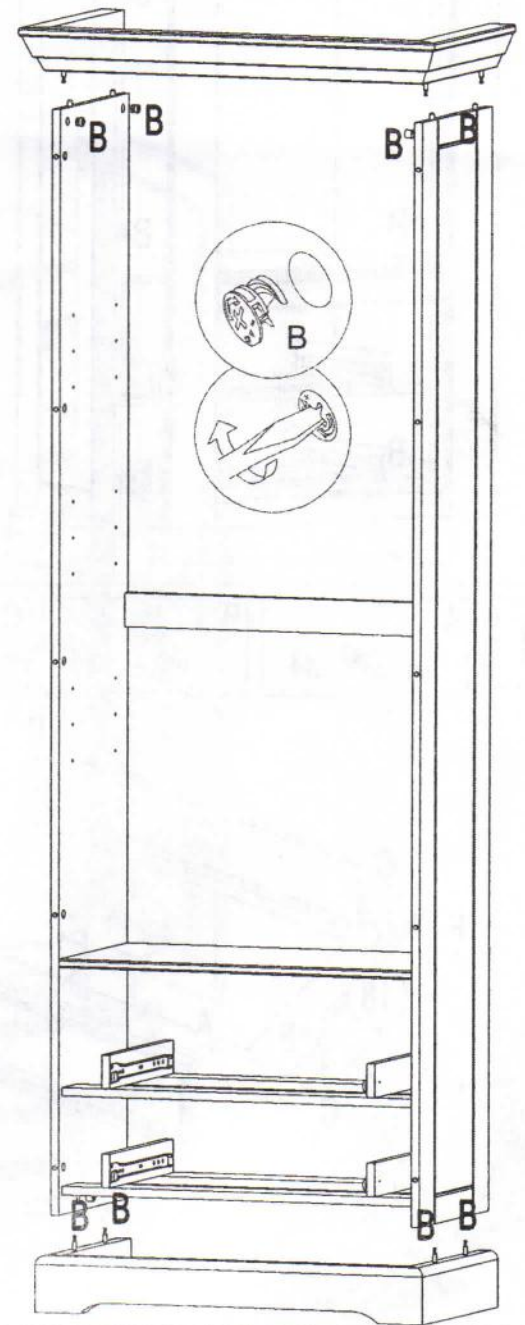
7

E 3.5x15 x4




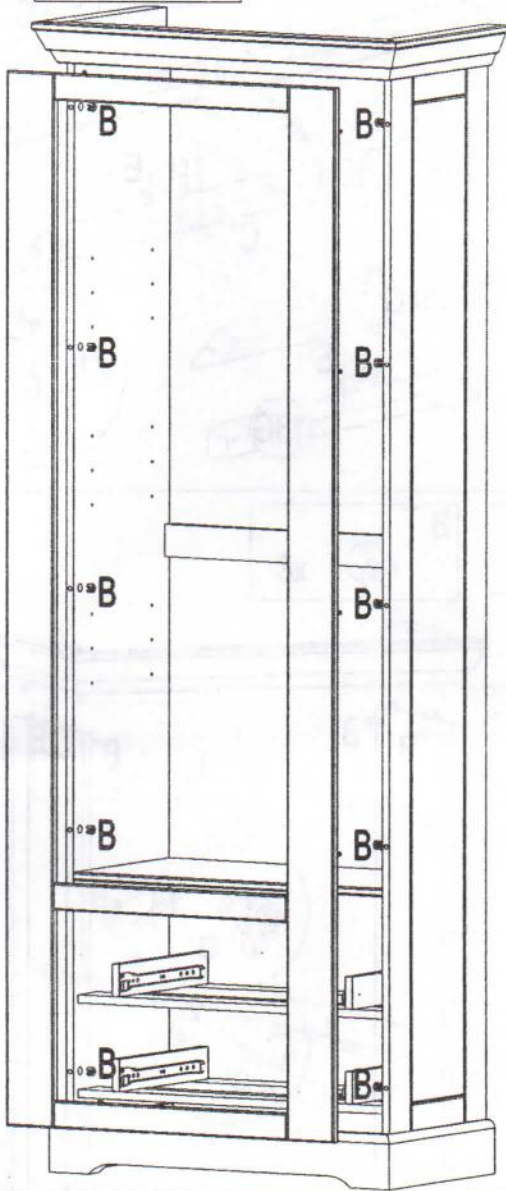
8

B x8




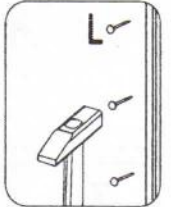
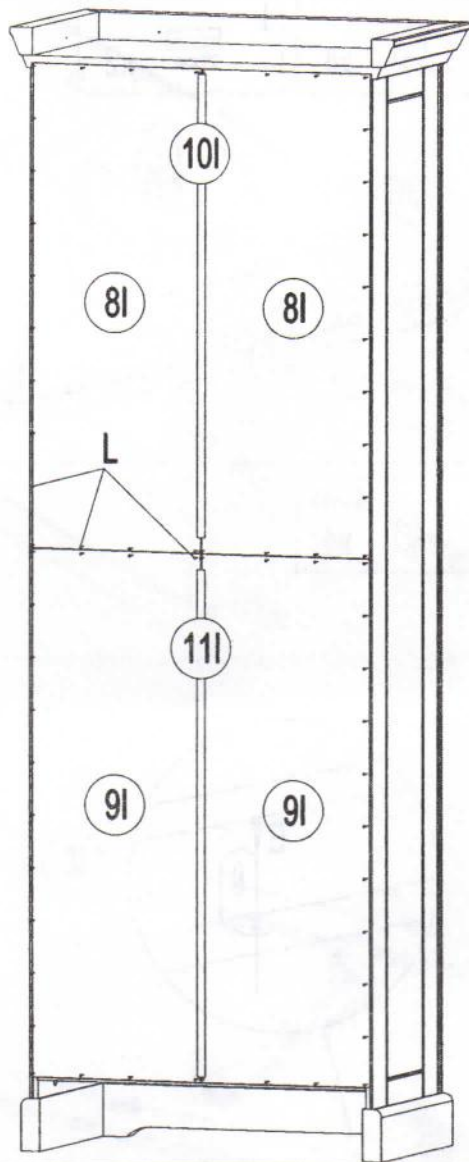
9

B  x10





10


L  1.2x20 x50





11


A  x4


B  x4


C  8x32 x16


E  3.5x15 x8

F  3.5x35 x4

O  x2

P1  M4x18 x2

T1  x2

T2  x2

