
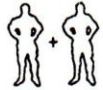


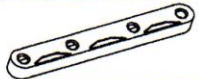

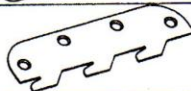

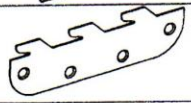

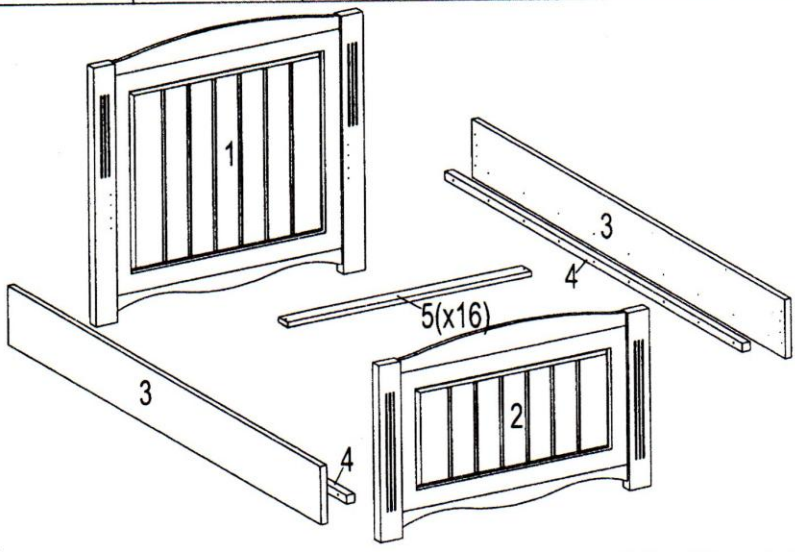
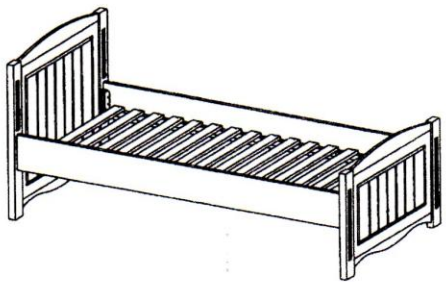
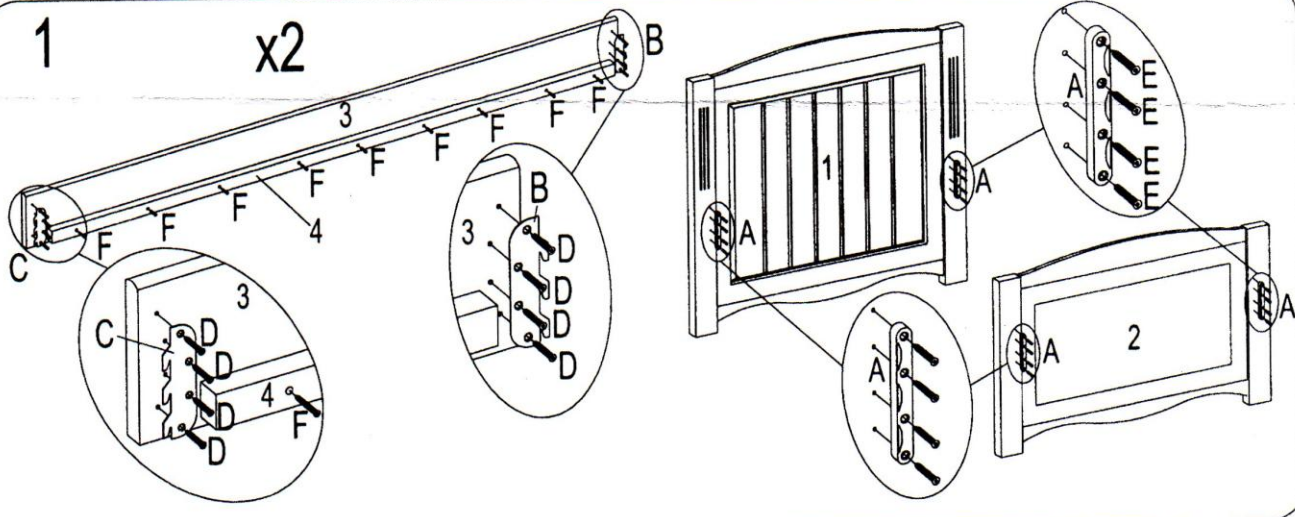


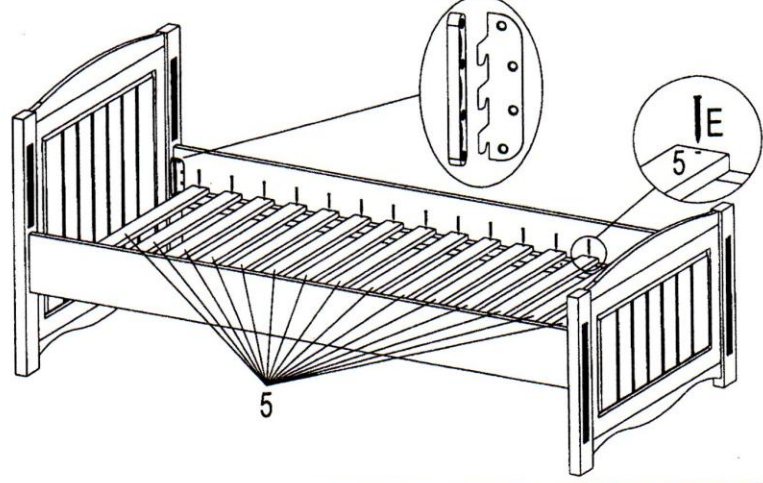
11491

					Ax4 	Dx16  4x20
					Bx2 	Ex48  4x40
					Cx2 	Fx18  4x50
					 11(12)491	

1 x2



2



10(11)(12)493				<table border="1"> <tr> <td>A = 14 x 7 x 50</td> <td>B = 9 x </td> <td>C = 9 x </td> <td>D = 6 x </td> </tr> <tr> <td>E = 20 x 3,5 x 15</td> <td>F = 2 x </td> <td>G = 2 x 3,5 x 35</td> <td>H = 16 x 8 x 32</td> </tr> <tr> <td>I = 2 x </td> <td>J = 1 x </td> <td>K = 5 x 3,5 x 25</td> <td></td> </tr> </table>		A = 14 x 7 x 50	B = 9 x 	C = 9 x 	D = 6 x 	E = 20 x 3,5 x 15	F = 2 x 	G = 2 x 3,5 x 35	H = 16 x 8 x 32	I = 2 x 	J = 1 x 	K = 5 x 3,5 x 25	
A = 14 x 7 x 50	B = 9 x 	C = 9 x 	D = 6 x 														
E = 20 x 3,5 x 15	F = 2 x 	G = 2 x 3,5 x 35	H = 16 x 8 x 32														
I = 2 x 	J = 1 x 	K = 5 x 3,5 x 25															

1

Diagram illustrating the assembly of the tray components. The components are labeled 1, 2, 3, and A. Dimensions H and A are indicated. The diagram shows the assembly of the side panels (1 and 2) to the back panel (3) using screws (A). A callout shows the screw A. A downward arrow indicates the next step.

1/2

