

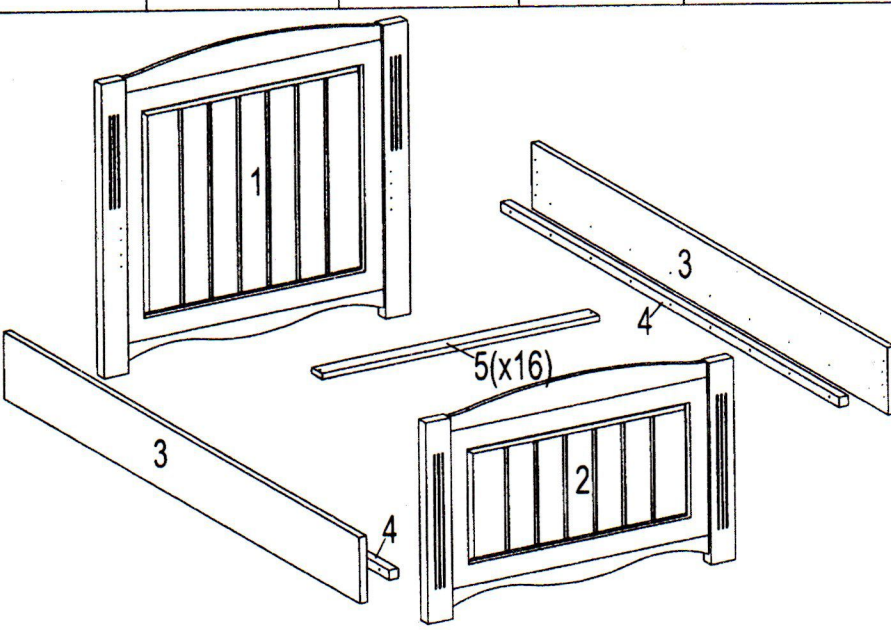
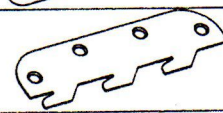
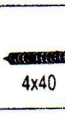
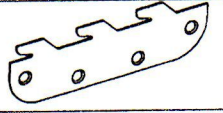
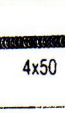
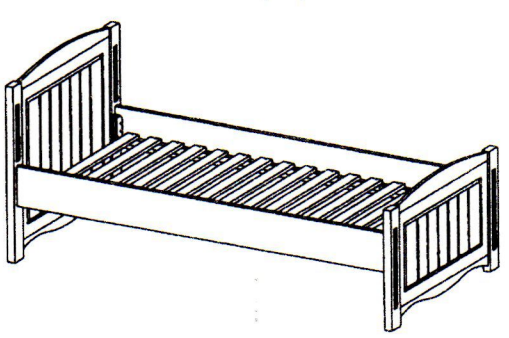
	Ax4 	Dx16  4x20
				Bx2 	Ex48  4x40
				Cx2 	Fx18  4x50

11(12)491



1 x2

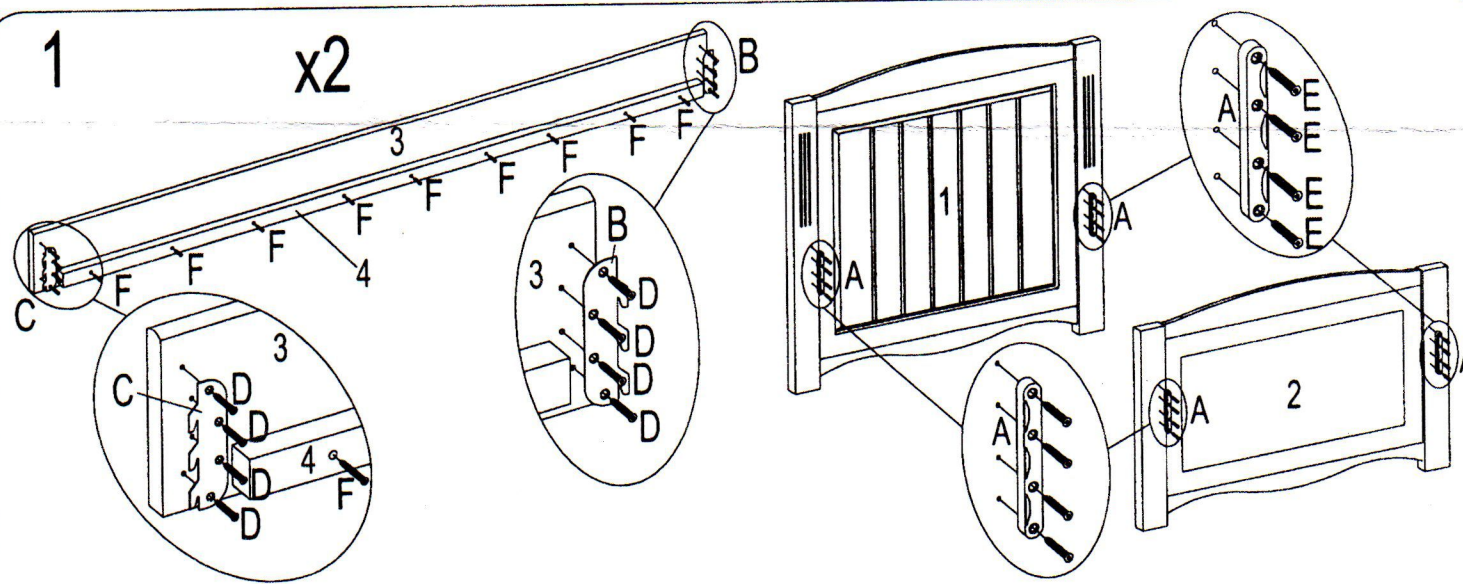


Diagram 1 shows the assembly of the side rails (3) to the headboard (1) and footboard (2). The side rails are attached to the headboard and footboard using screws (F) and brackets (B). Callout A shows the attachment of the side rail to the headboard/footboard using screws (E) and brackets (A). Callout B shows the attachment of the side rail to the headboard/footboard using screws (D) and brackets (B). Callout C shows the attachment of the side rail to the headboard/footboard using screws (D) and brackets (C). Callout D shows the attachment of the side rail to the headboard/footboard using screws (D) and brackets (D). Callout E shows the attachment of the side rail to the headboard/footboard using screws (E) and brackets (E). Callout F shows the attachment of the side rail to the headboard/footboard using screws (F) and brackets (F).

2

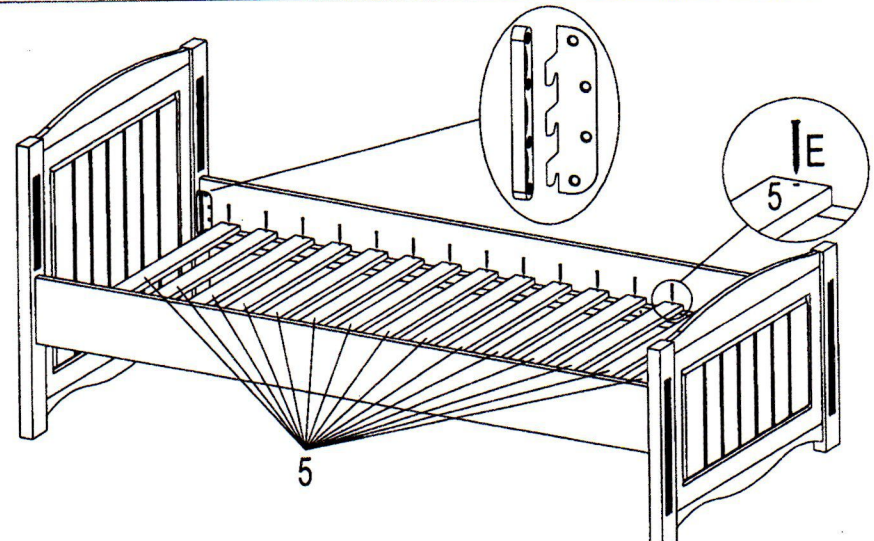


Diagram 2 shows the assembly of the slats (5) to the side rails. The slats are attached to the side rails using brackets (E) and screws (I).