

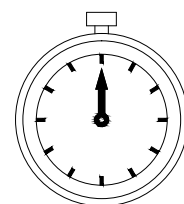
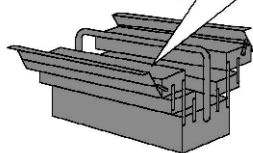
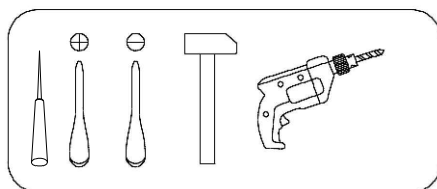
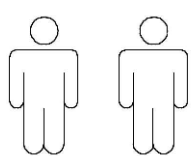
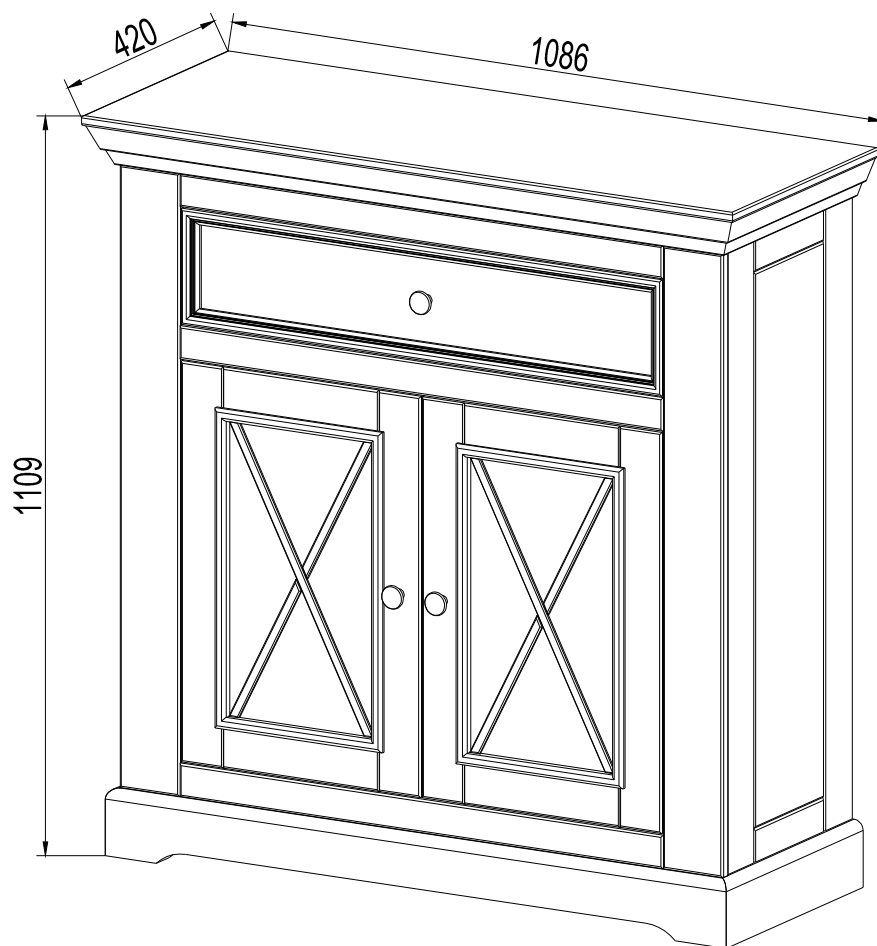


«SanRemi»

<http://www.sanremi.ru>

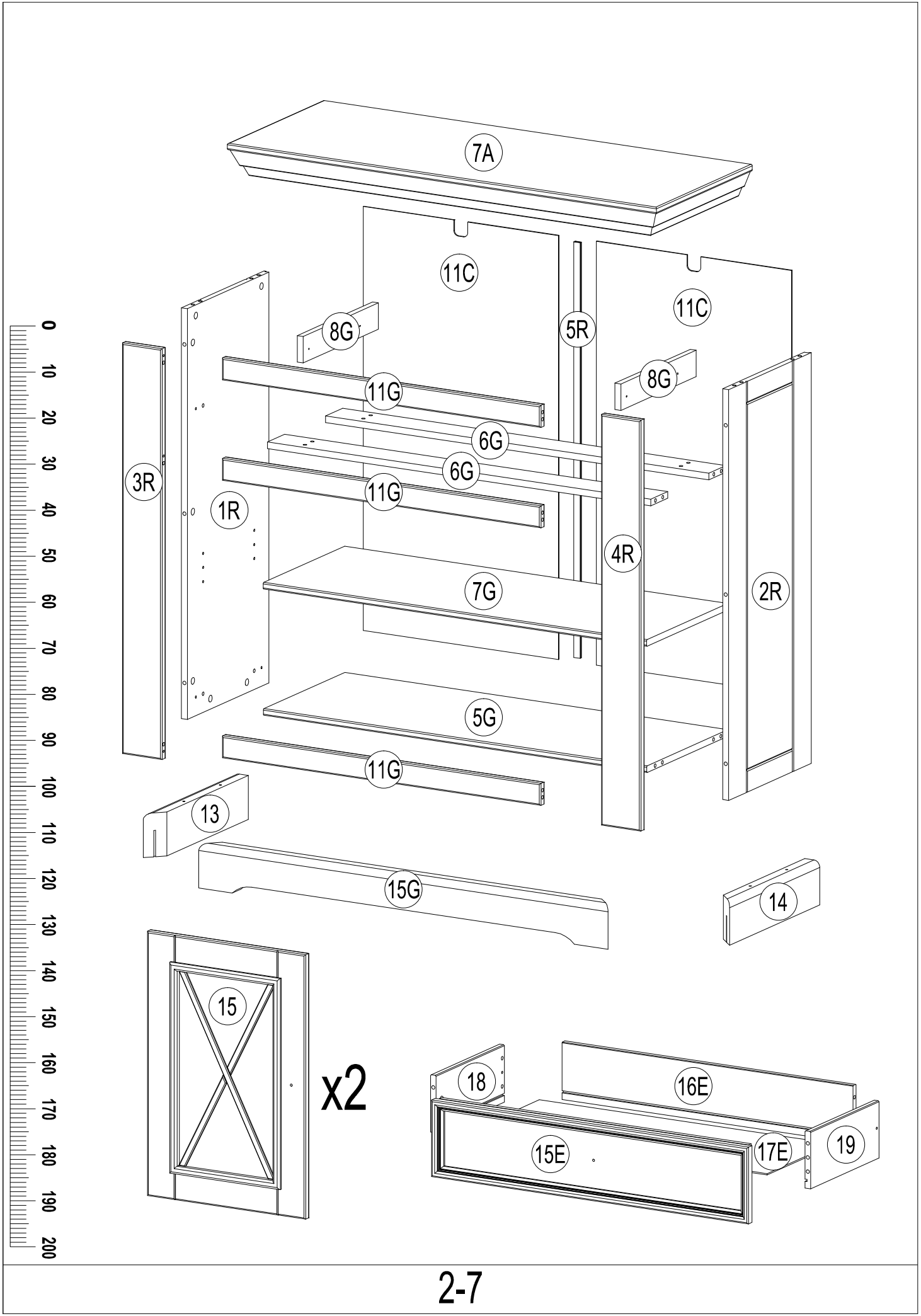
e-mail: sanremi@list.ru

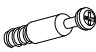

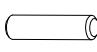


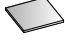




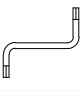
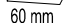






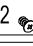






+7 (812) 920-36-23



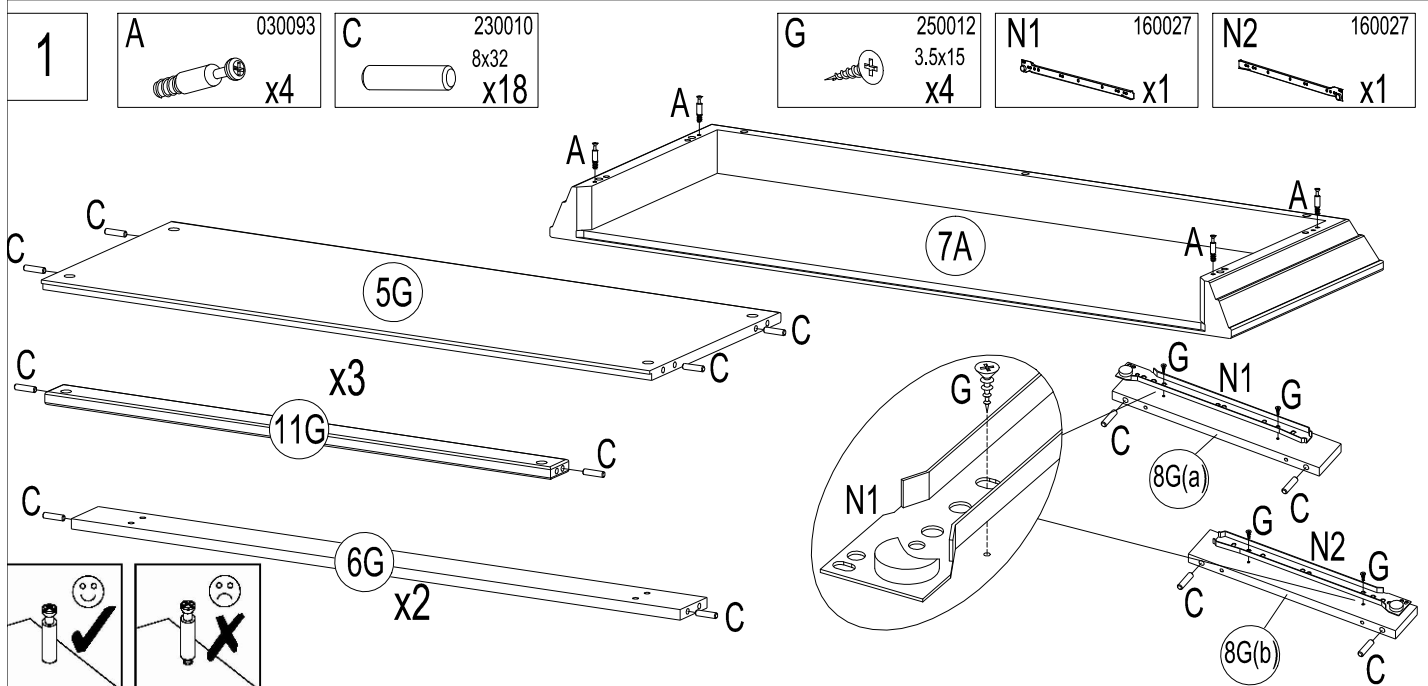
180 min

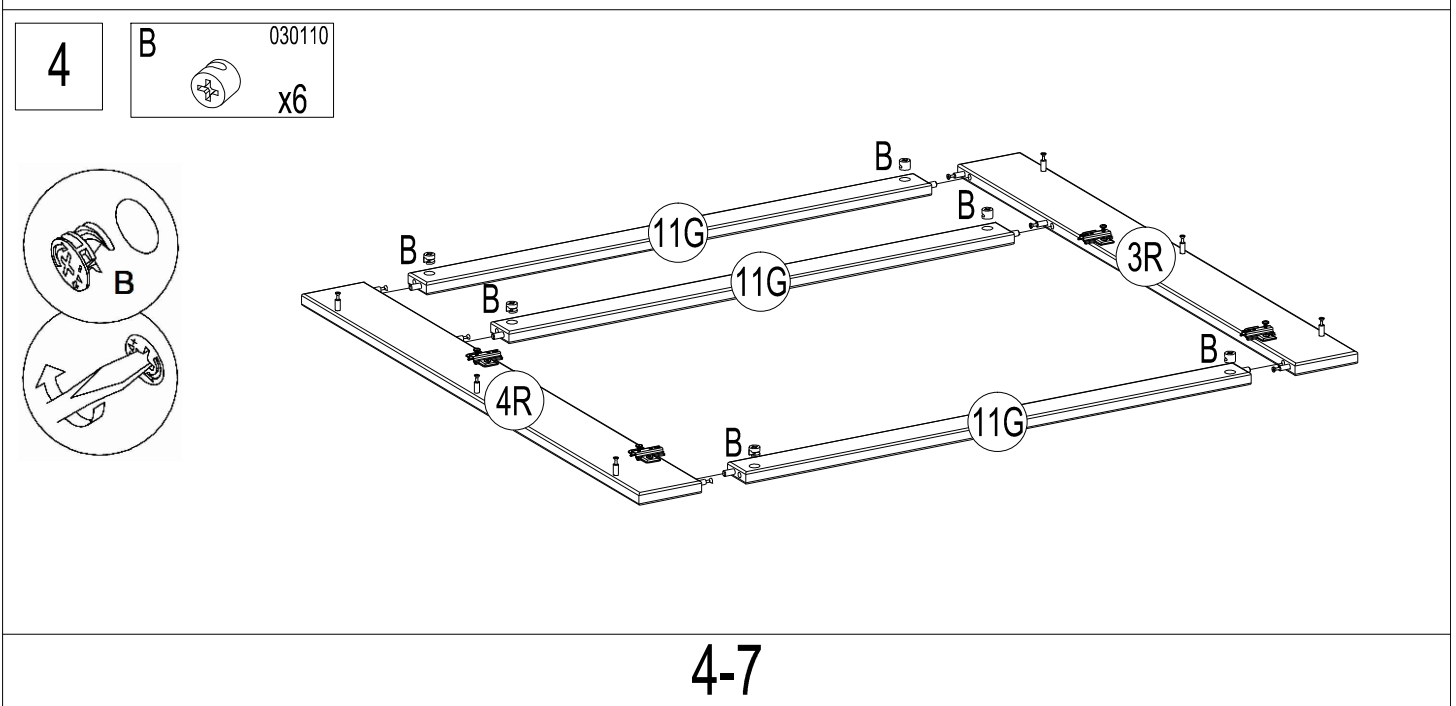
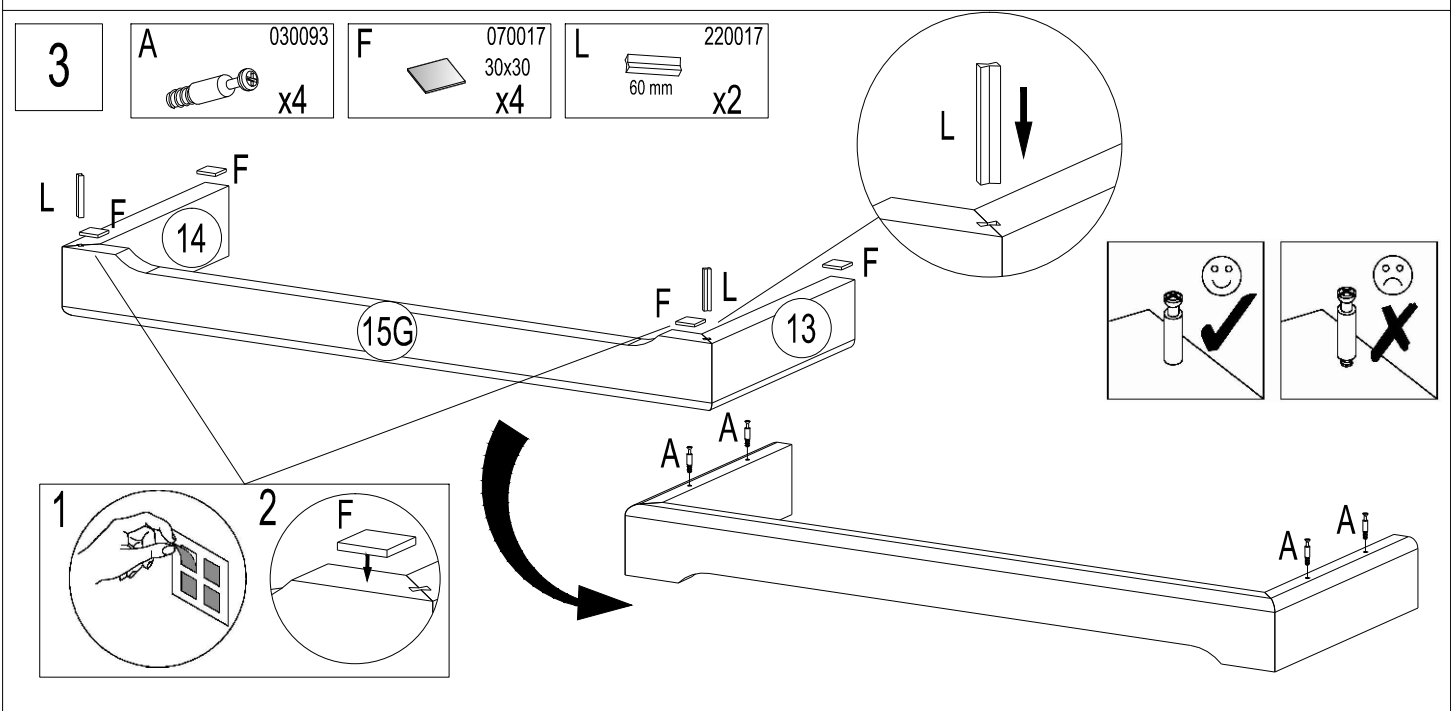
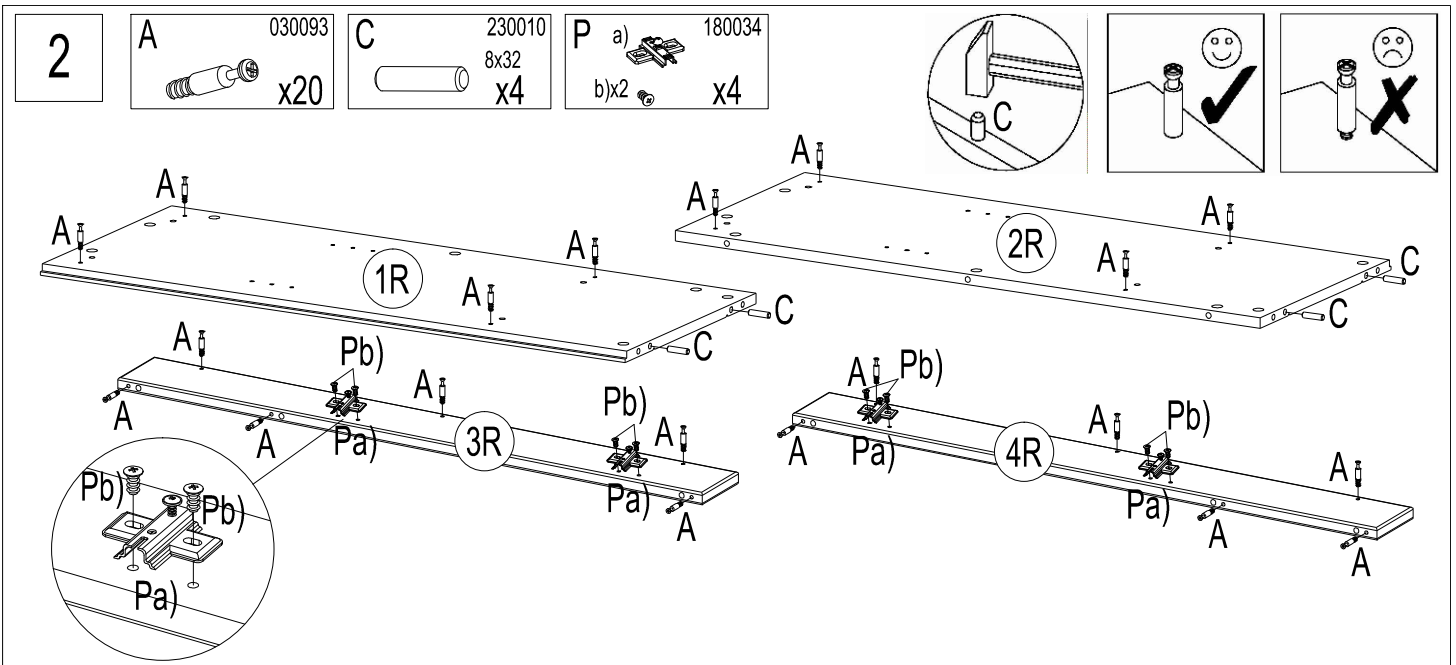
EAC



A 030093  x30	B 030110  x30	C 230010 8x32  x30	D 190009  x4	E 210020  x3	F 070017 30x30  x4
G 250012 3.5x15  x18	H 250042 4x35  x2	I 230010 7x50  x4	J 220043 1.2x20  x2	K 110022 SW 4  x1	L 220017 60 mm  x2
M1 160027  x1	M2 160027  x1	N1 160027  x1	N2 160027  x1	O 180056  x4	P a)  b)  x4
R1 090001 8x50  x2	R2 180080  x2	R3 250012 3.5x15  x2	R4 250069 5x50  x2	S 030052 M4x22  x2	T 030059 M4x18  x1

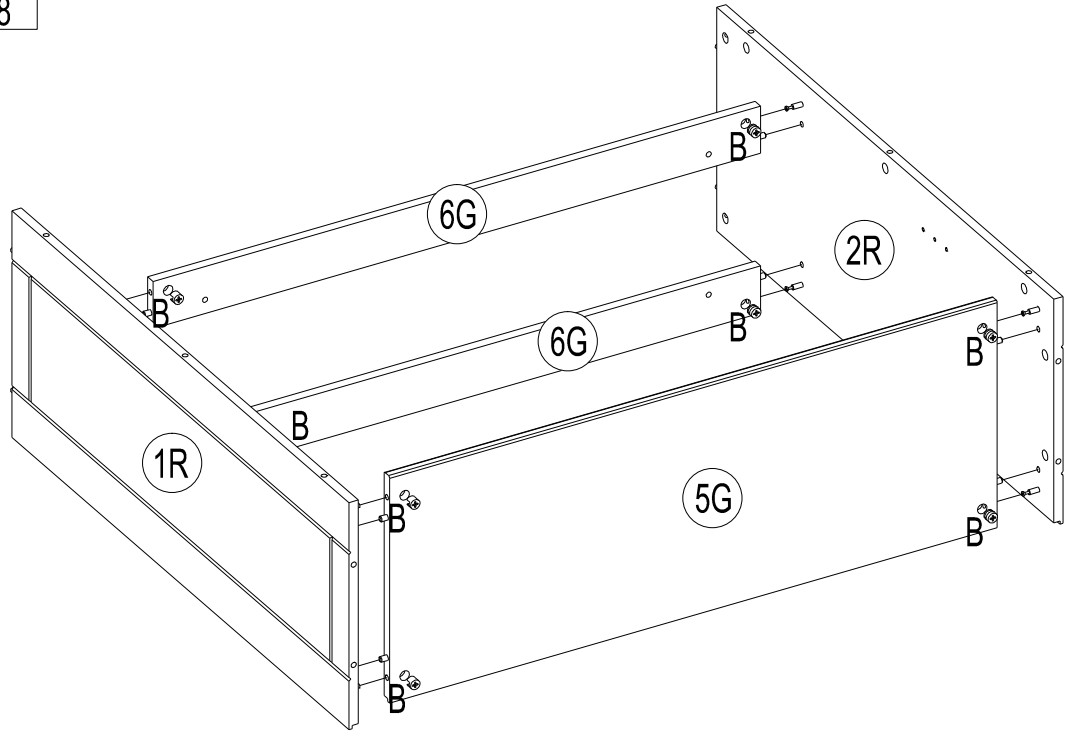
No	Size/MaB (mm)	Qty	✓	No	Size/MaB (mm)	Qty	✓
1R	932x362x15	1		11C	961x494x3	2	
2R	932x362x15	1		13	395x100x38	1	
3R	932x100x18	1		14	395x100x38	1	
4R	932x100x18	1		15	600x400x27	2	
5R	943x17x7	1		15E	802x172x33	1	
5G	970x362x15	1		15G	1036x100x38	1	
6G	970x74x15	2		16E	736x130x14	1	
7A	1086x420x77	1		17E	745x292x3	1	
7G	970x357x15	1		18	300x130x14	1	
8G	330x60x15	2		19	300x130x14	1	
11G	806x50x18	3					





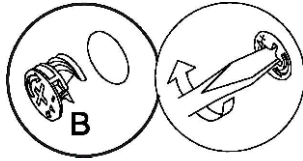
5

B 030110
x8



6

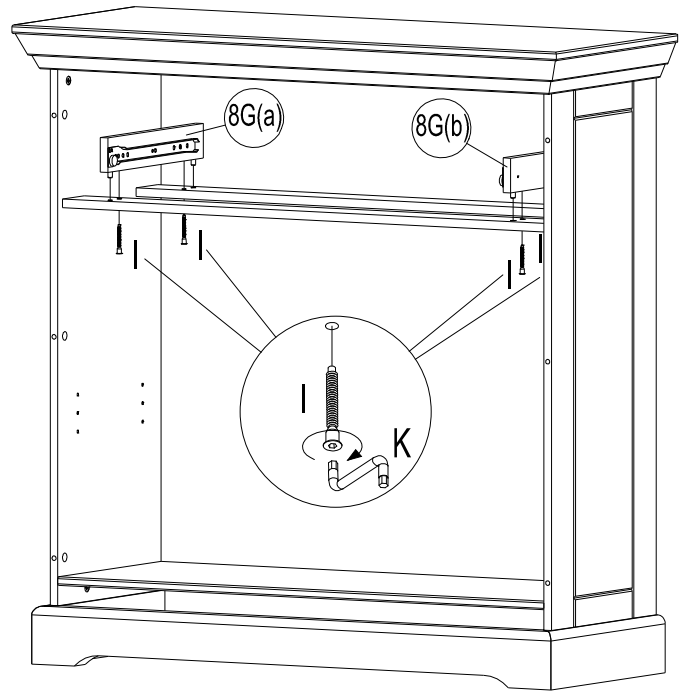
B 030110
x8





7

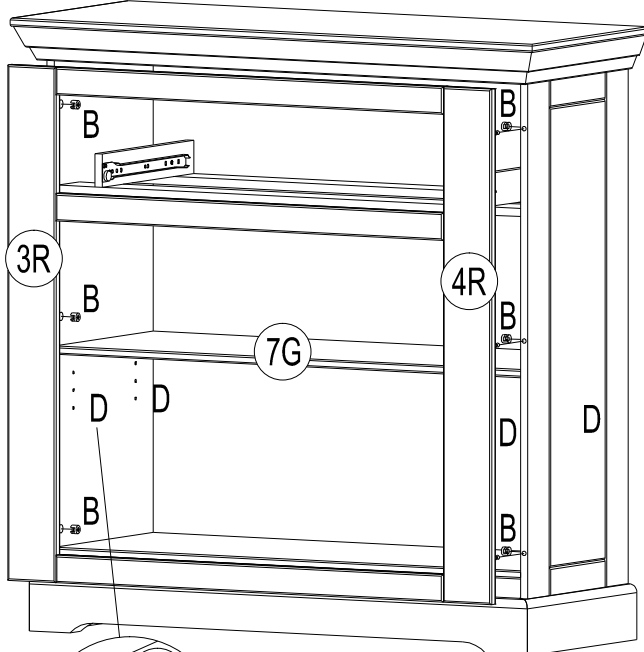
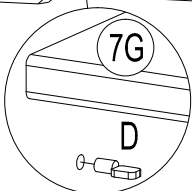
I 230010
7x50
x4

K 110022
SW 4
x1



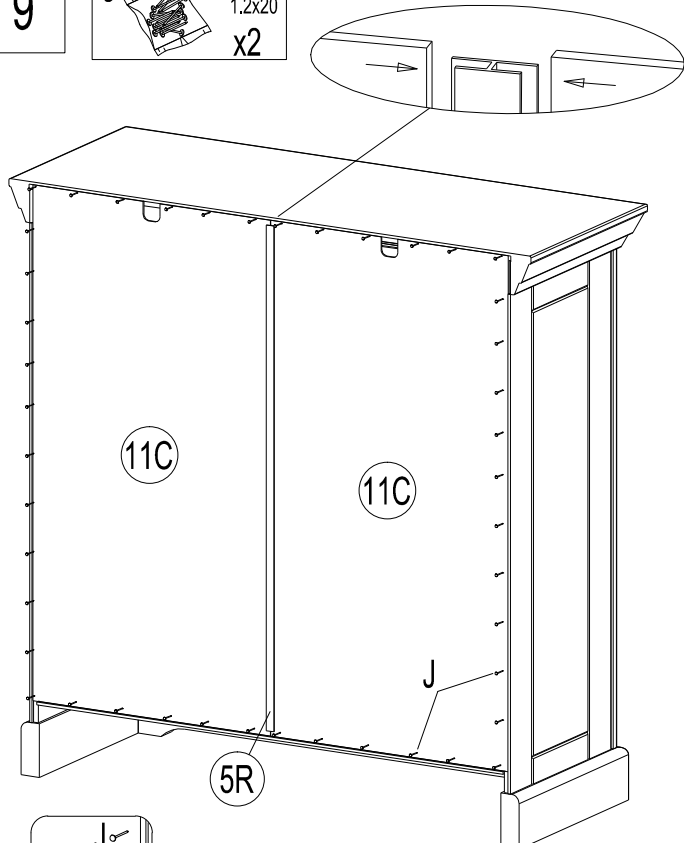
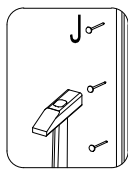
8

B	030110		x6
D	190009		x4





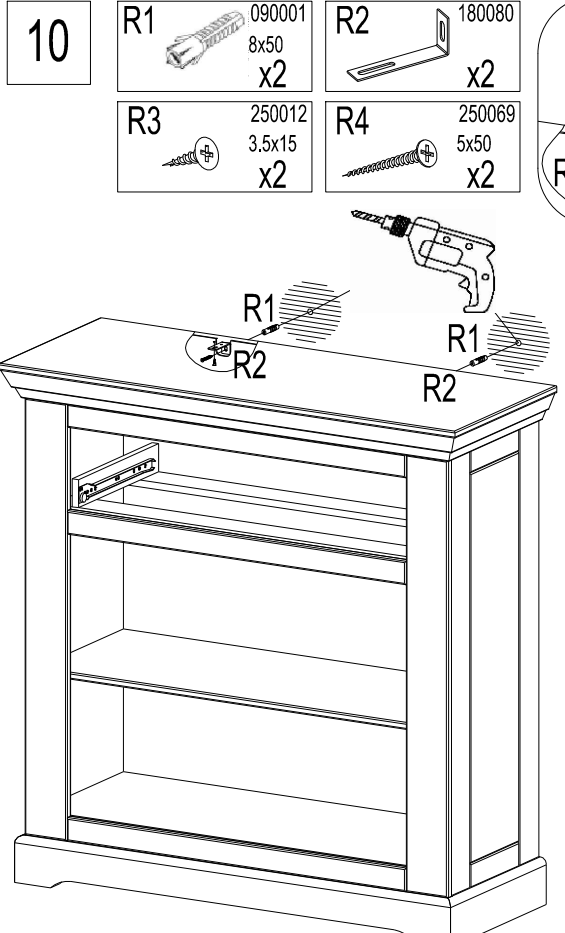
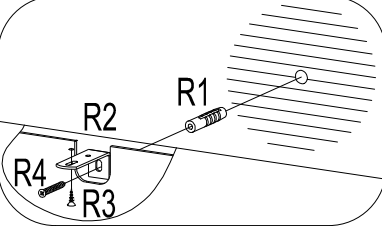
9

J	220043	1.2x20	x2
----------	--------	--------	----






10

R1	090001	8x50	x2
R2	180080		x2
R3	250012	3.5x15	x2
R4	250069	5x50	x2

11

E	210057		x2
G	250012	3.5x15	x8
O	180056		x4
S	030052	M4x22	x2

