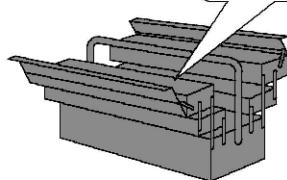
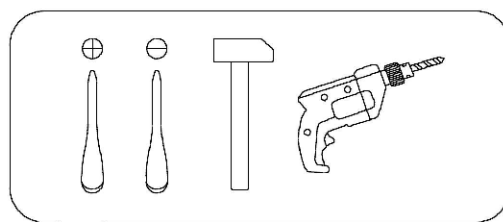
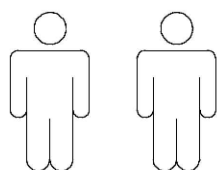
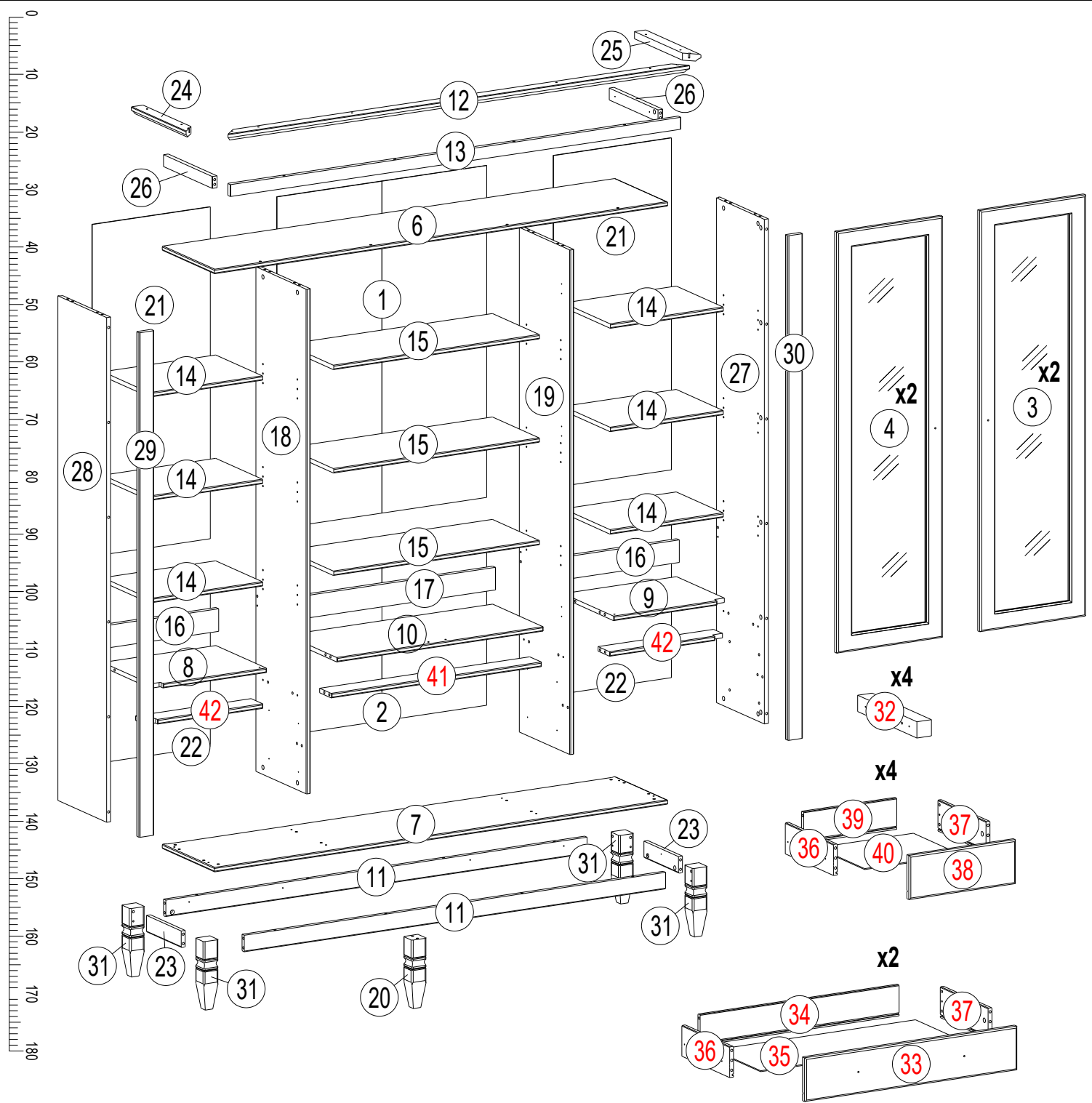


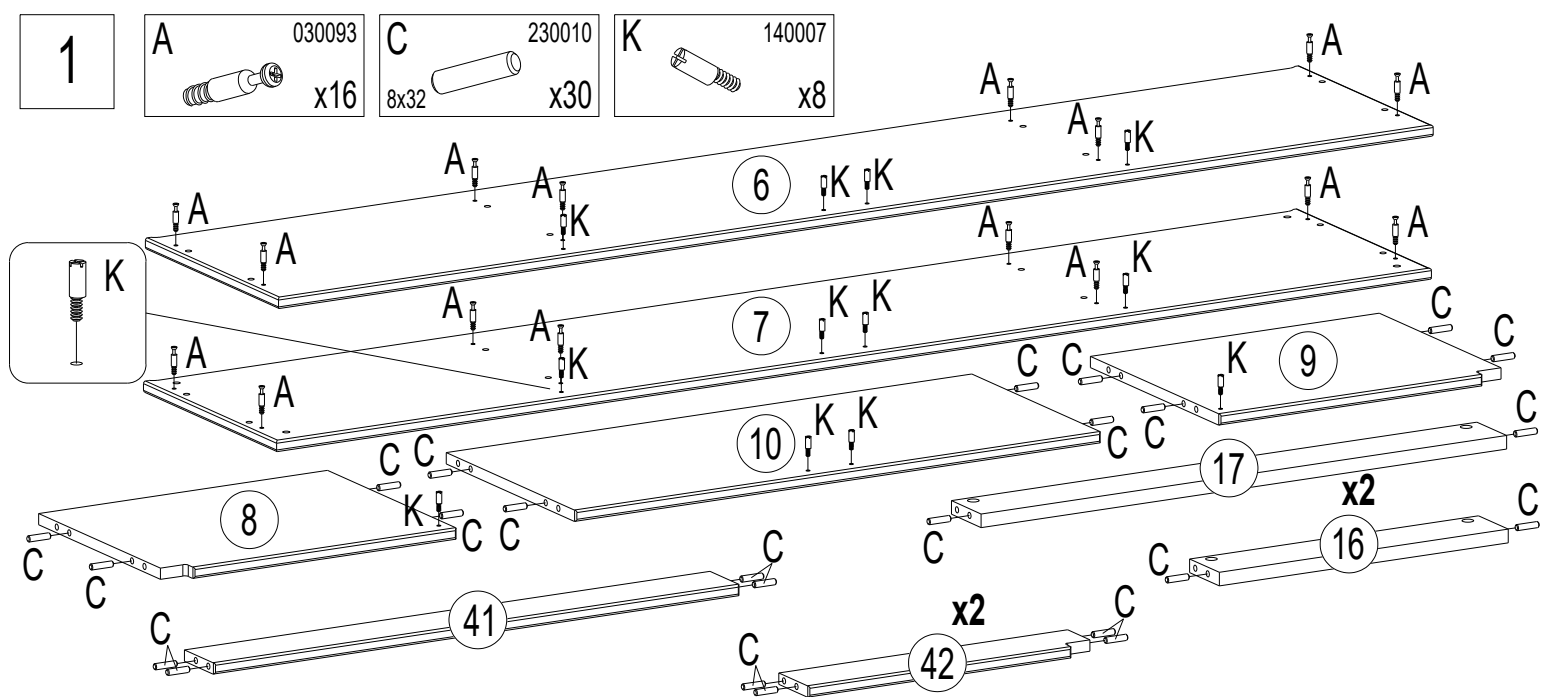
- |           |                                    |           |                                |
|-----------|------------------------------------|-----------|--------------------------------|
| <b>D</b>  | <b>Montageanleitung</b>            | <b>GB</b> | <b>Assembly instructions</b>   |
| <b>FR</b> | <b>Notice de montage</b>           | <b>IT</b> | <b>Istruzioni di montaggio</b> |
| <b>NL</b> | <b>Handlieding voor de montage</b> | <b>PL</b> | <b>Instrukcja montażu</b>      |
| <b>CZ</b> | <b>Montážní návod</b>              | <b>SK</b> | <b>Návod na montáž</b>         |
| <b>HU</b> | <b>Szerelési útmutató</b>          | <b>RO</b> | <b>Instrukțiuni de montaj</b>  |
| <b>TR</b> | <b>Montaj talimatı</b>             | <b>RU</b> | <b>Инструкция по монтажу</b>   |



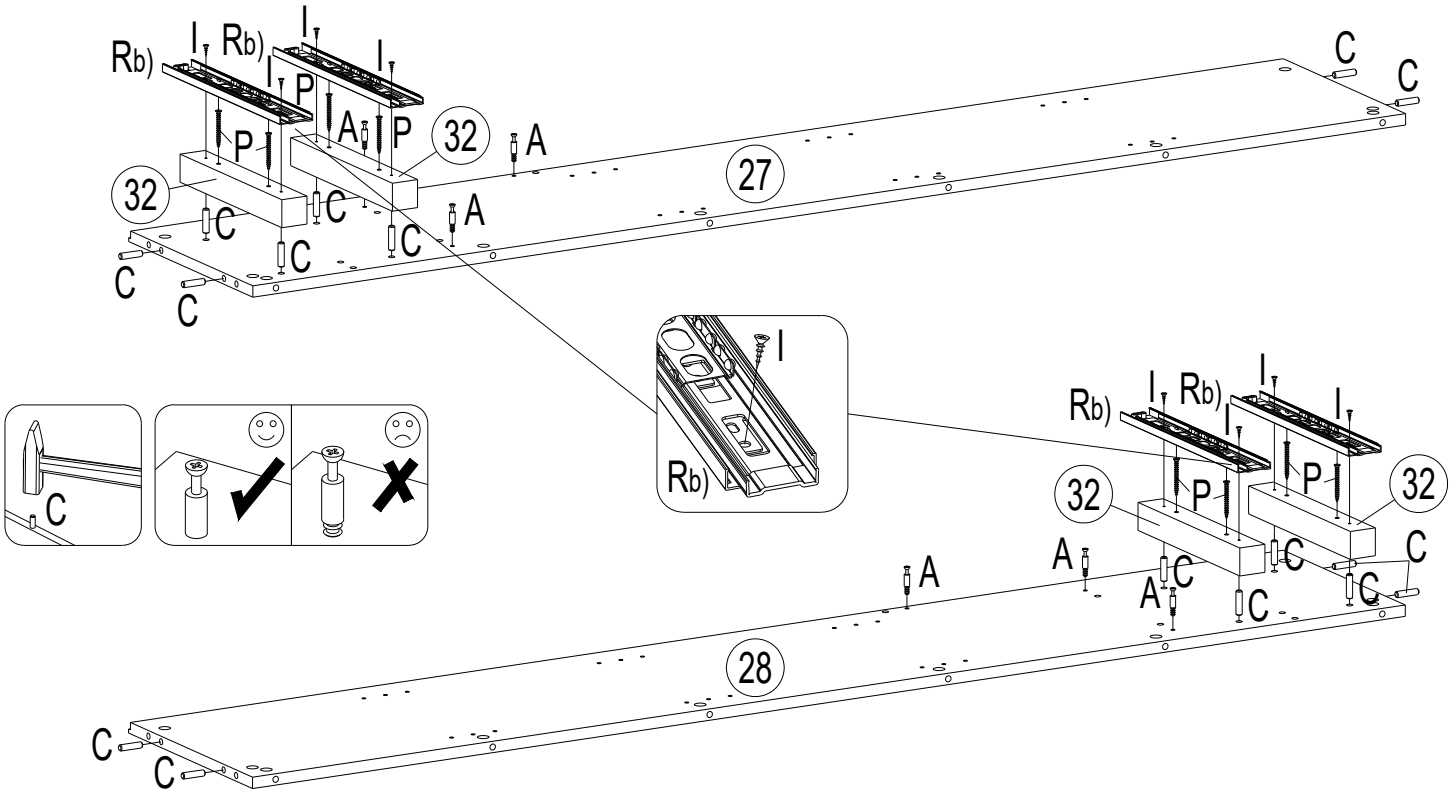


<b>A</b> 030093 x68	<b>B</b> 030110 x68	<b>C</b> 230010 8x32 x126	<b>D</b> 190002 x36	<b>E</b> 220018 L=15MM x2	<b>F</b> 220043 1,2x20 x7
<b>G</b> 180074 38x28x22 x21	<b>H</b> 070017 30x30 x5	<b>I</b> 250012 3,5x15 x138	<b>J</b> 250024 3,5x35 x25	<b>K</b> 140007 x8	<b>L</b> 210118 x12
<b>M</b> 030052 M4x22 x12	<b>N</b> 180121 x6	<b>O</b> 180123 x6	<b>P</b> 250046 4x50 x8	<b>Q</b> 070004 x1	
<b>S</b> 090004 8x40 x2	<b>T</b> 180080 x2	<b>U</b> 250012 3,5x15 x2	<b>V</b> 250044 4x40 x2	<b>R</b> 160059 Ra) Rb) x12	

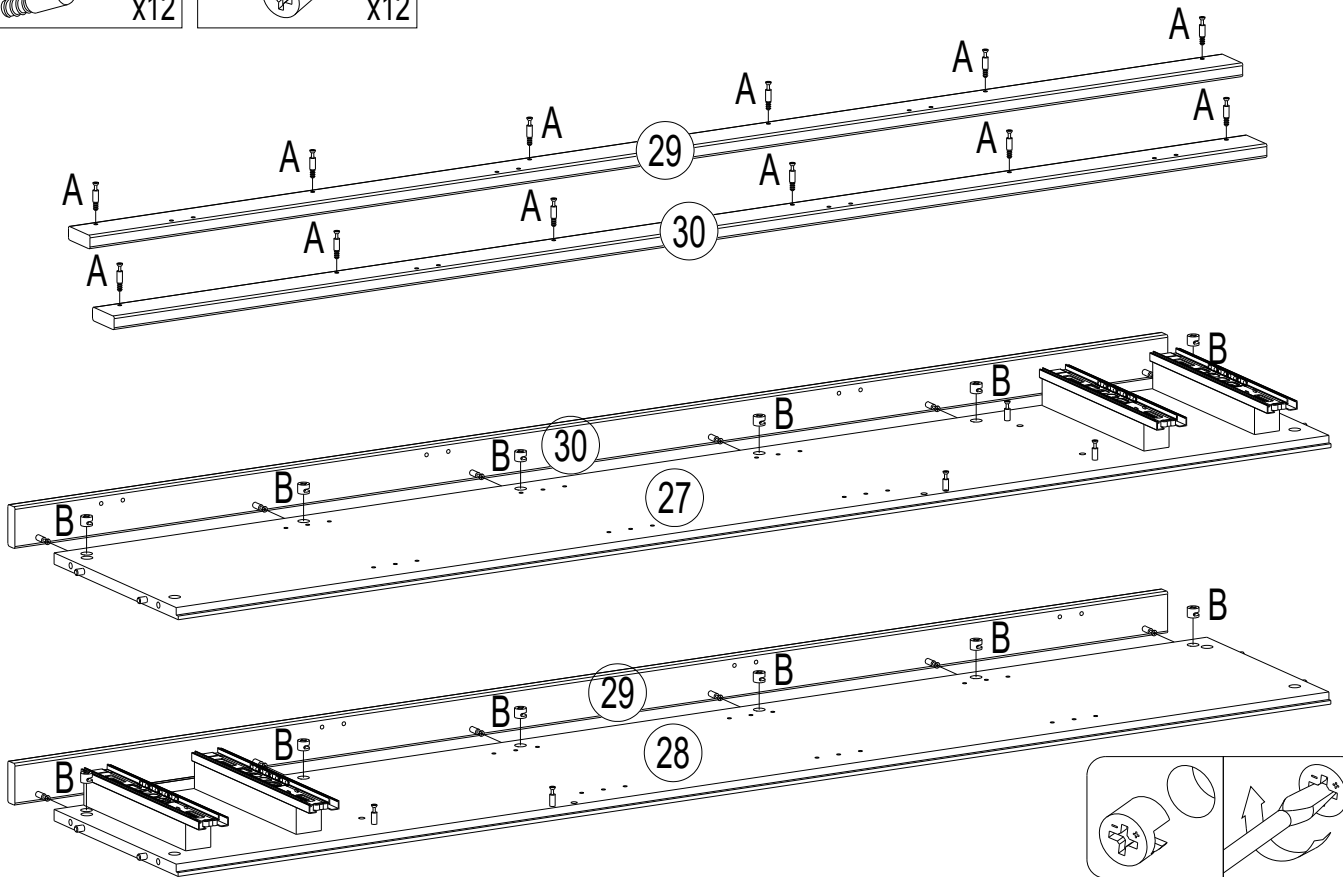
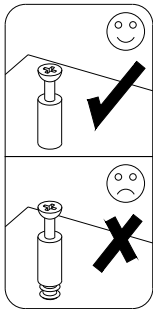
No	Size/MaB (mm)	Qty	✓	No	Size/MaB (mm)	Qty	✓
1	1118x788x3	1	✓	23	225x56x15	2	
2	600x788x3	1		24	356x44x24	1	
3	1368x383x18	2		25	356x44x24	1	
4	1368x383x18	2		26	317x40x18	2	
6	1703x340x15	1		27	1700x317x15	1	
7	1703x340x15	1		28	1700x317x15	1	
8	426x330x15	1		29	1700x55x18	1	
9	426x330x15	1		30	1700x55x18	1	
10	775x330x15	1		31	235x55x55	4	
11	1583x56x15	2		32	260x37x37	4	
12	1735x44x24	1		33	769x142x18	2	
13	1693x40x18	1		34	721x100x14	2	
14	424x306x15	6		35	730x292x3	2	
15	773x306x15	3		36	300x100x14	6	
16	426x76x18	2		37	300x100x14	6	
17	775x76x18	1		38	383x142x18	4	
18	1700x330x15	1		39	335x100x14	4	
19	1700x330x15	1		40	344x292x3	4	
20	235x55x55	1		41	775x76x15	1	
21	1118x443x3	2		42	426x76x15	2	
22	600x443x3	2					



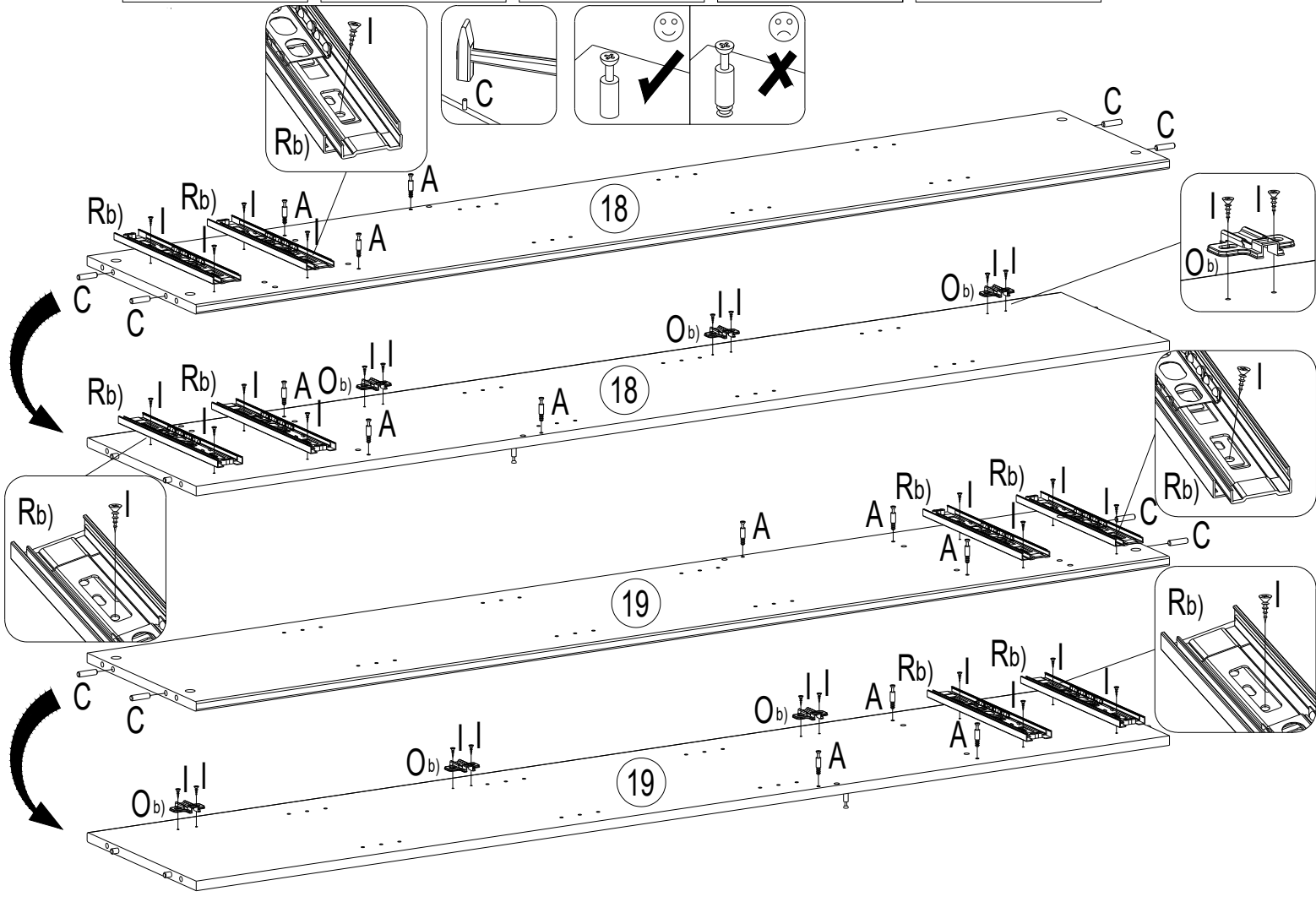
- |          |                       |                             |                              |                            |                         |
|----------|-----------------------|-----------------------------|------------------------------|----------------------------|-------------------------|
| <b>2</b> | <b>A</b> 030093<br>x6 | <b>C</b> 230010<br>8x32 x16 | <b>I</b> 250012<br>3,5x15 x8 | <b>P</b> 250046<br>4x50 x8 | <b>Rb)</b> 160059<br>x4 |
|----------|-----------------------|-----------------------------|------------------------------|----------------------------|-------------------------|



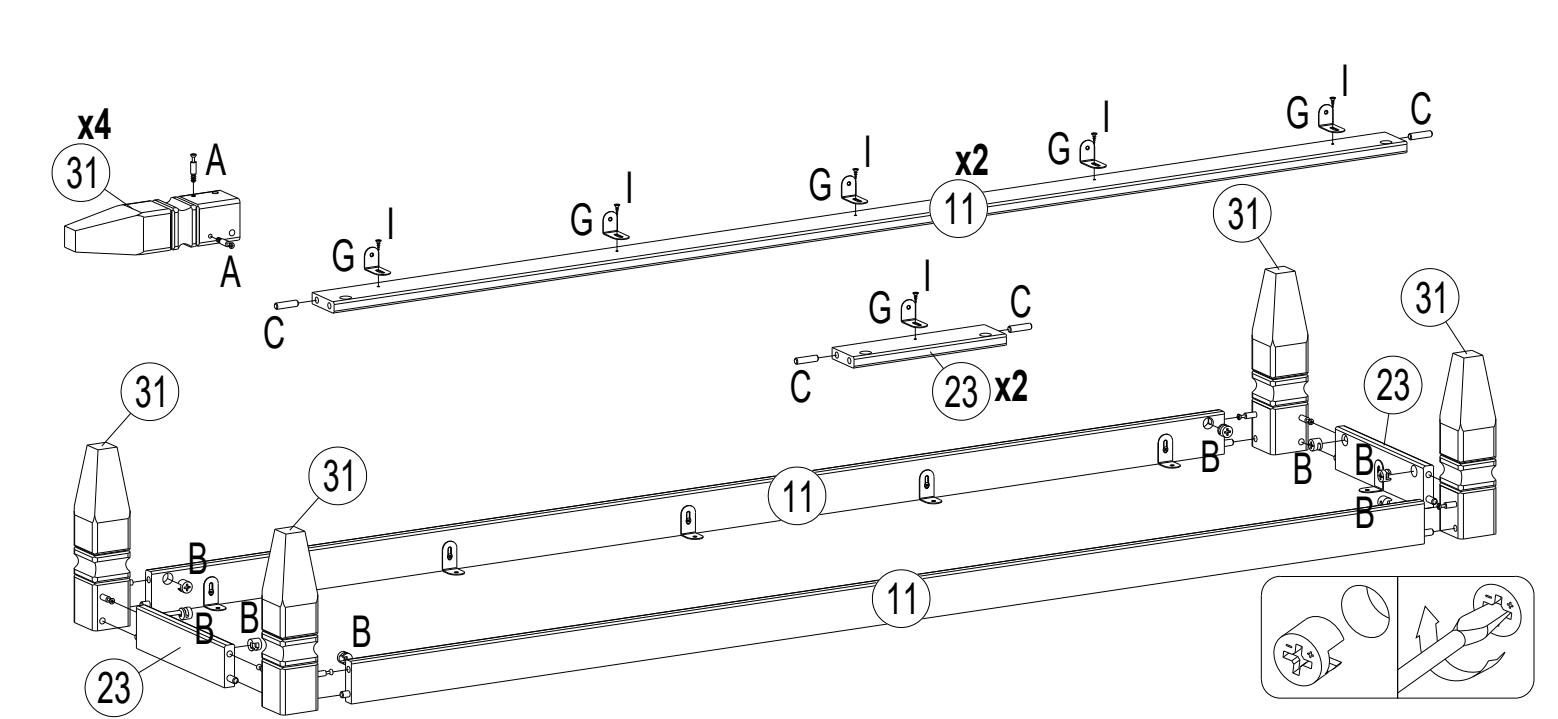
- |          |                        |                        |
|----------|------------------------|------------------------|
| <b>3</b> | <b>A</b> 030093<br>x12 | <b>B</b> 030110<br>x12 |
|----------|------------------------|------------------------|



- |          |                        |                            |                               |                       |                         |
|----------|------------------------|----------------------------|-------------------------------|-----------------------|-------------------------|
| <b>4</b> | <b>A</b> 030093<br>x12 | <b>C</b> 230010<br>8x32 x8 | <b>I</b> 250012<br>3,5x15 x28 | <b>O</b> 180123<br>x6 | <b>Rb)</b> 160059<br>x8 |
|----------|------------------------|----------------------------|-------------------------------|-----------------------|-------------------------|



- |          |                       |                       |                            |                                 |                               |
|----------|-----------------------|-----------------------|----------------------------|---------------------------------|-------------------------------|
| <b>5</b> | <b>A</b> 030093<br>x8 | <b>B</b> 030110<br>x8 | <b>C</b> 230010<br>8x32 x8 | <b>G</b> 180074<br>38x28x22 x12 | <b>I</b> 250012<br>3,5x15 x12 |
|----------|-----------------------|-----------------------|----------------------------|---------------------------------|-------------------------------|



6

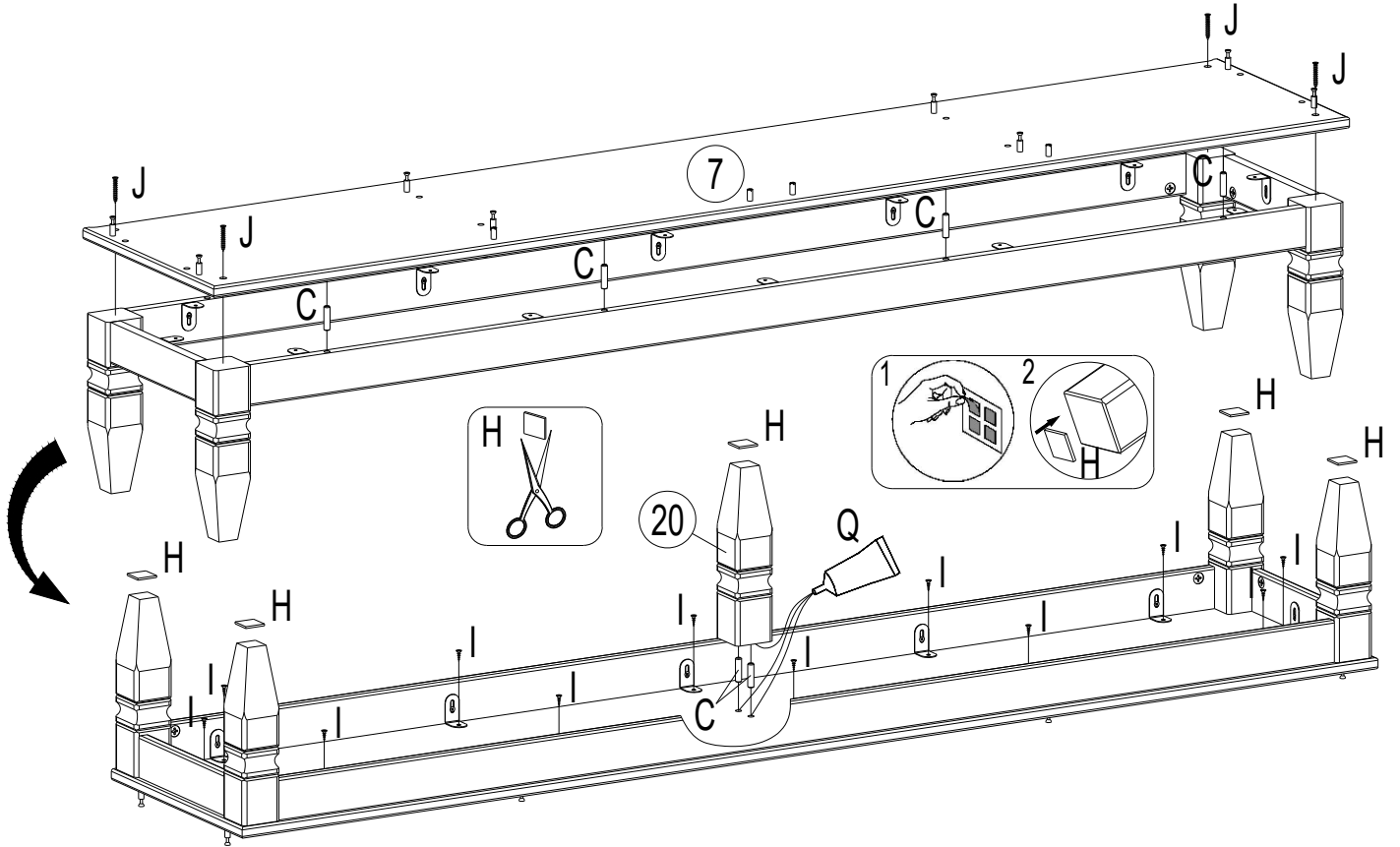
C 230010  
8x32 x6

H 070017  
30x30 x5

I 250012  
3,5x15 x12

J 250024  
3,5x35 x4

Q 070004  
x1



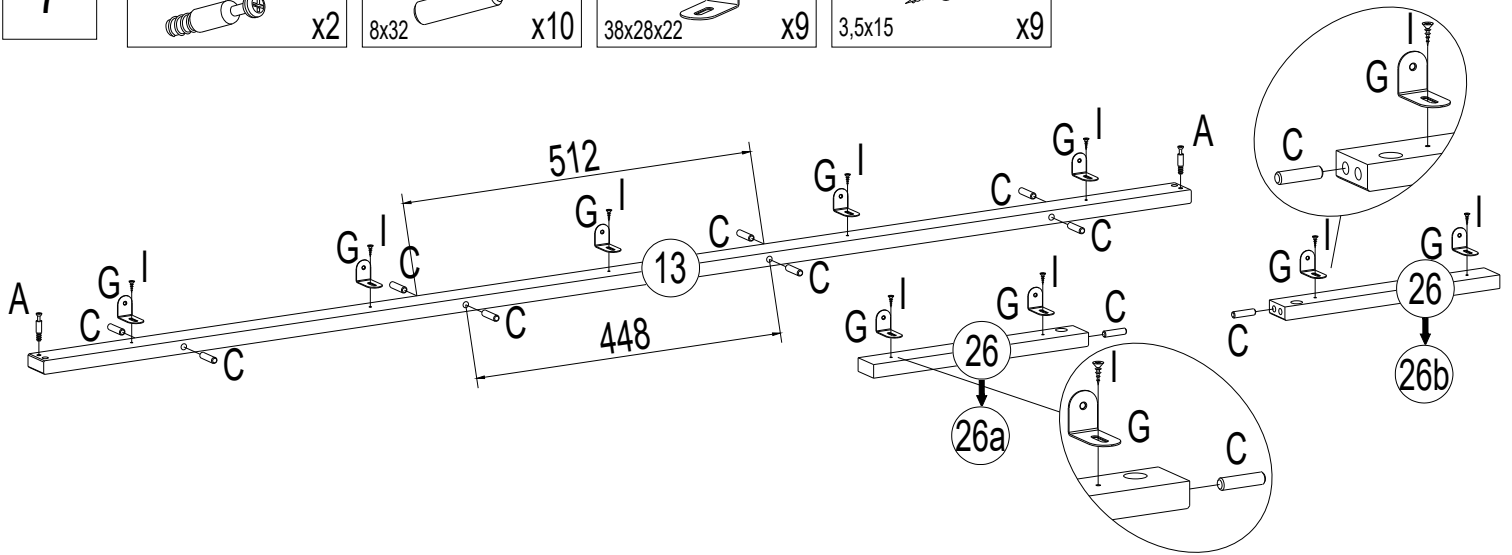
7

A 030093  
x2

C 230010  
8x32 x10

G 180074  
38x28x22 x9

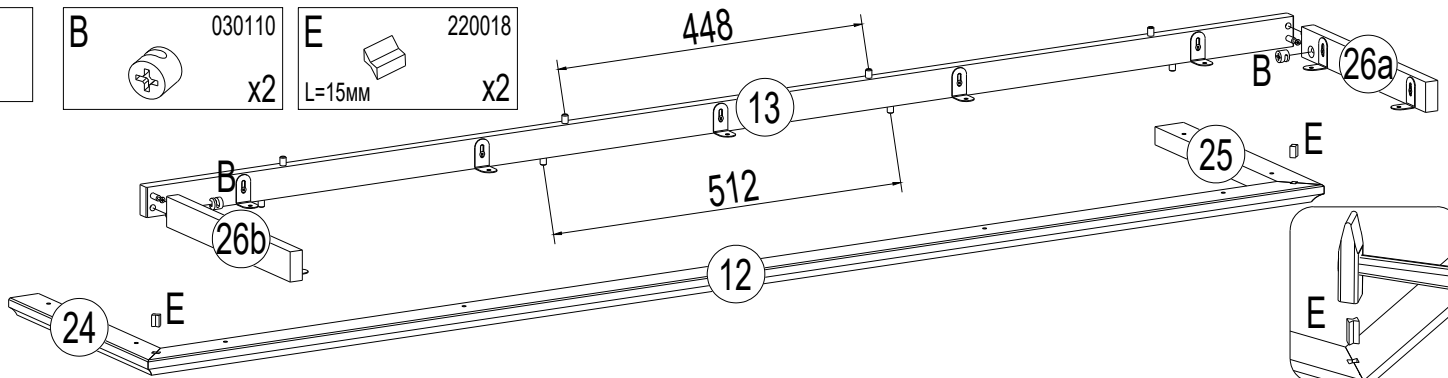
I 250012  
3,5x15 x9



8

B 030110  
x2

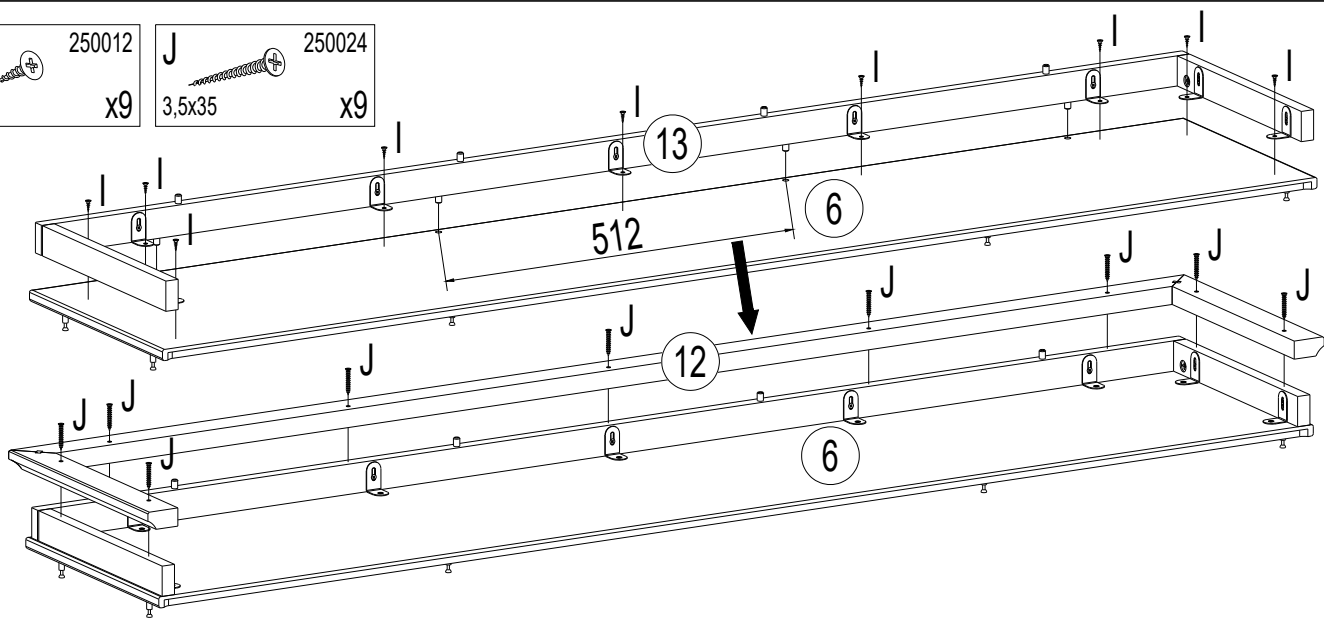
E 220018  
L=15MM x2



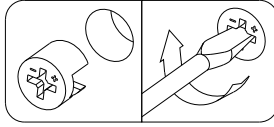
9

I 250012  
3,5x15 x9

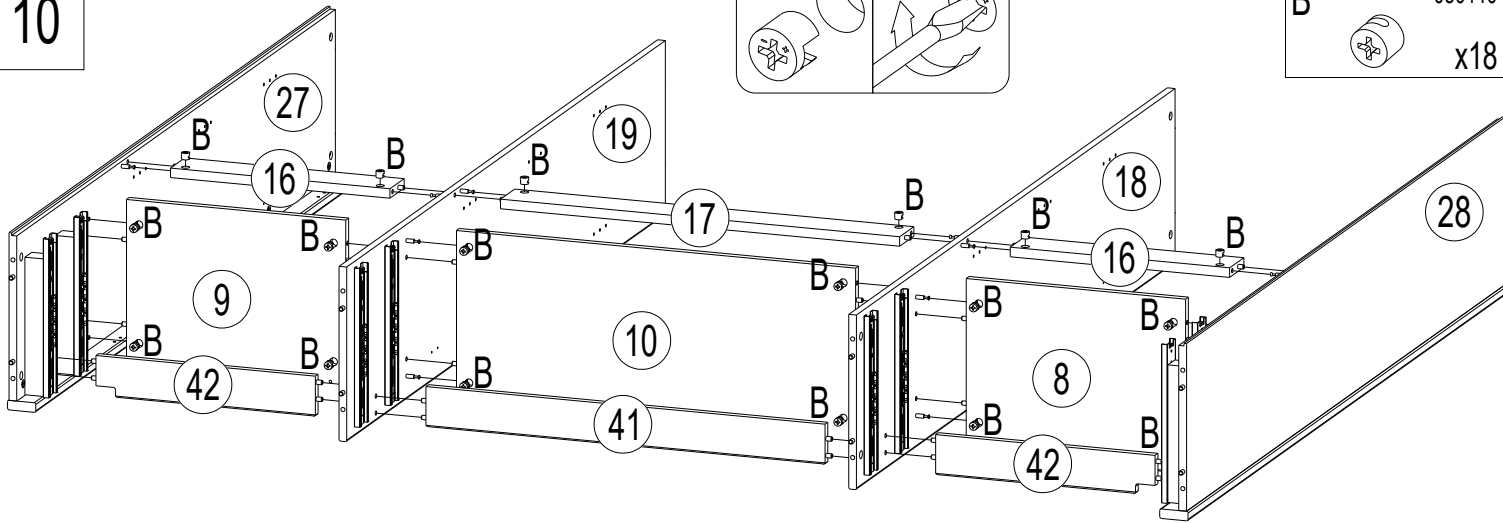
J 250024  
3,5x35 x9



10

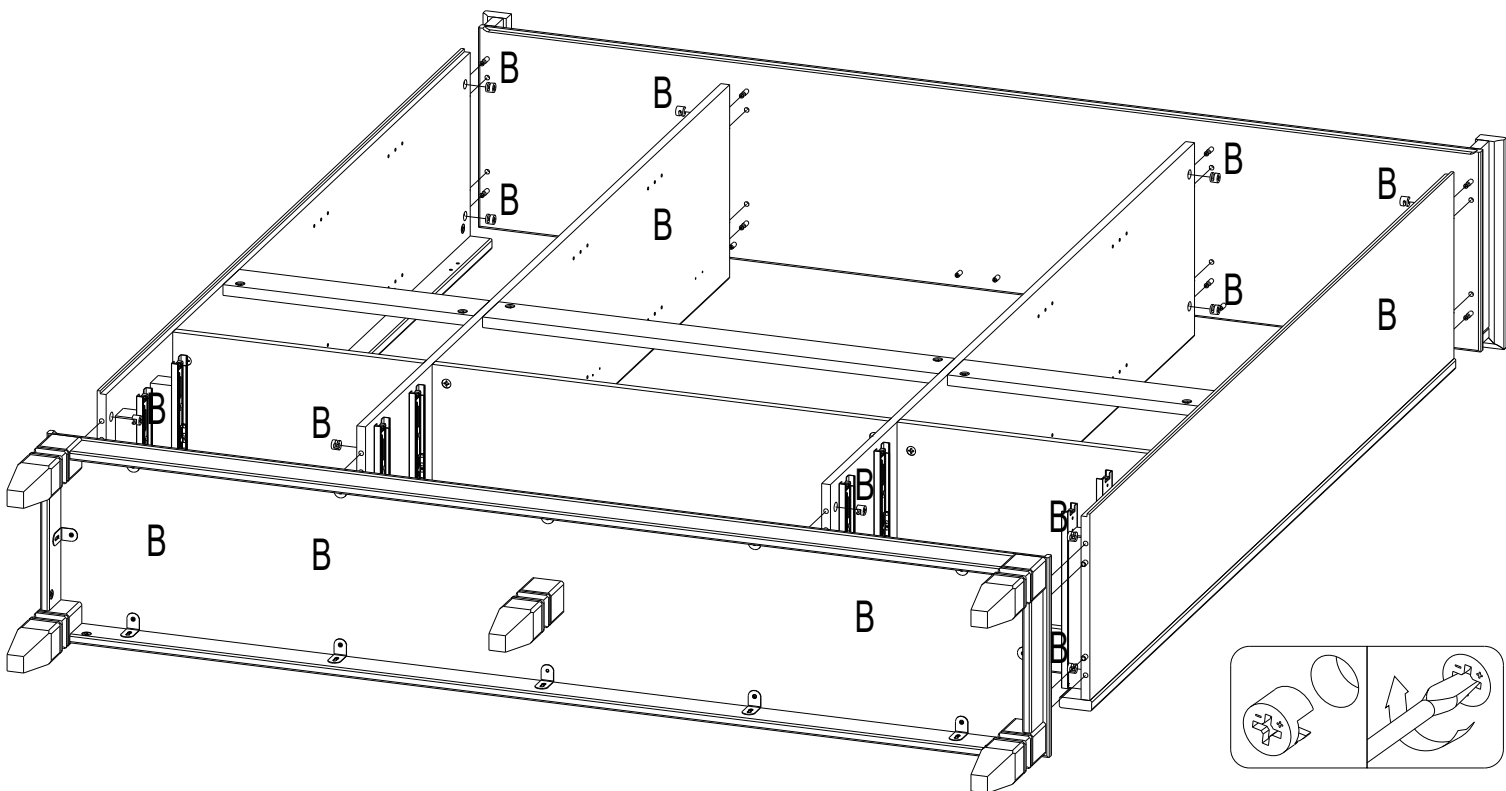


B 030110  
x18



11

B 030110  
x16



12

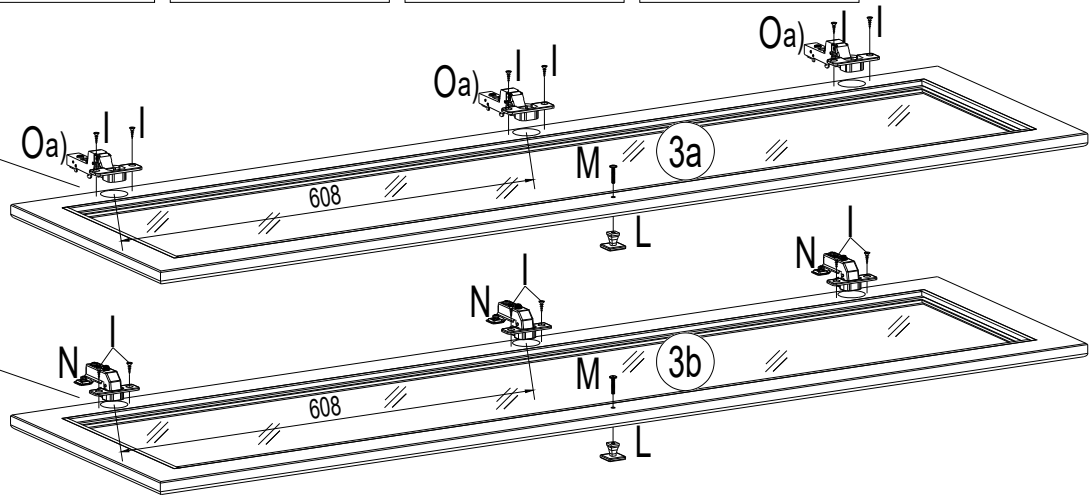
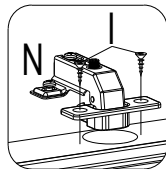
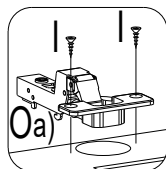
I 250012  
3,5x15 x12

L 210118 x2

M 030052 M4x22 x2

N 180121 x3

O a) 180123 x3



13

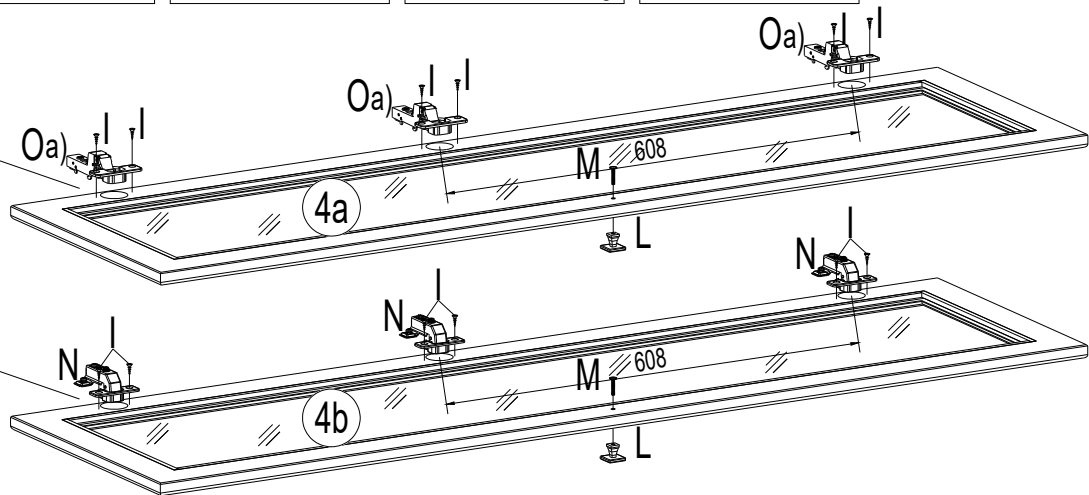
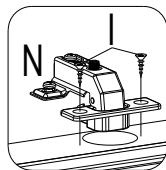
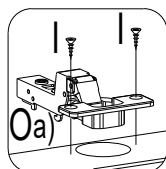
I 250012  
3,5x15 x12

L 210118 x2

M 030052 M4x22 x2

N 180121 x3

O a) 180123 x3



14

A 030093 x12

B 030110 x12

C 230010 8x32 x48

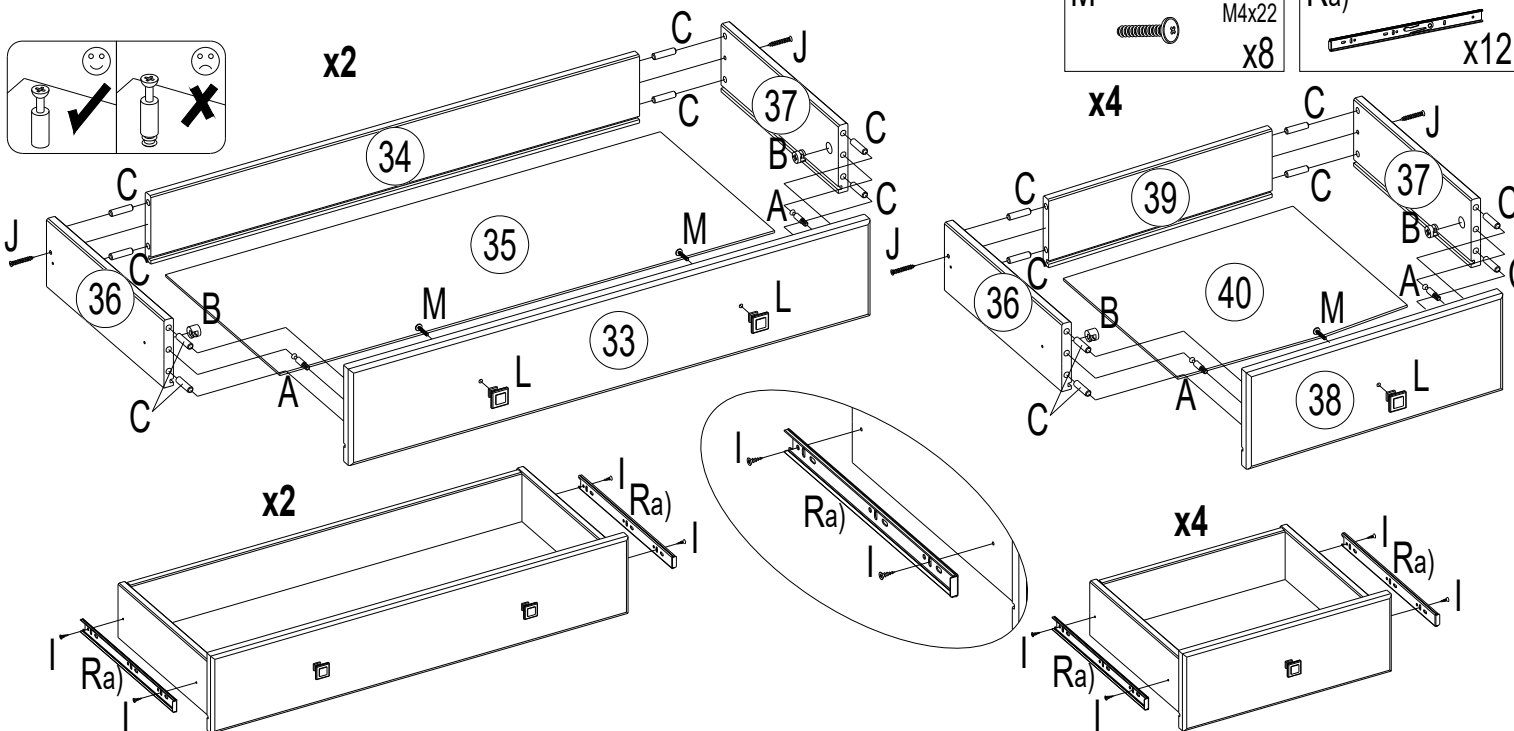
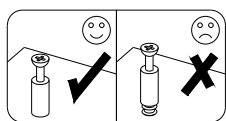
I 250012  
3,5x15 x24

J 250024  
3,5x35 x12

L 210118 x8

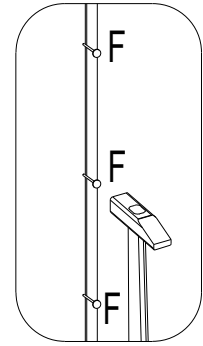
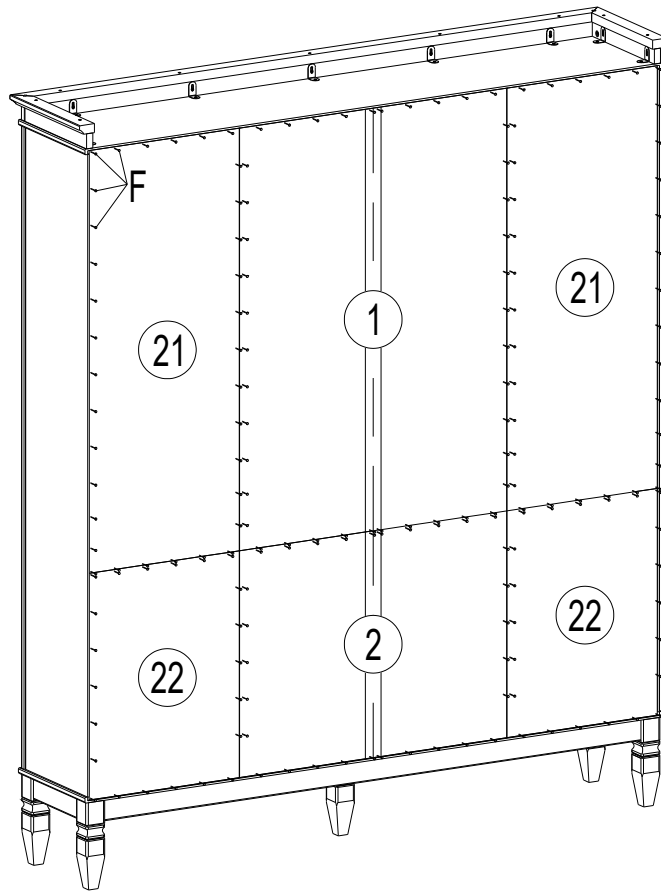
M 030052 M4x22 x8

Ra) 160059 x12



15

F 220043  
1,2x20 x7



16

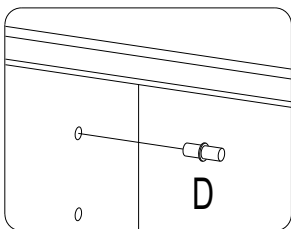
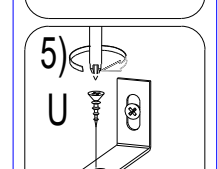
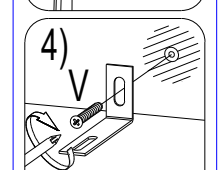
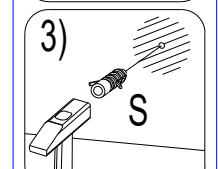
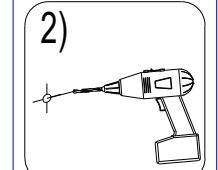
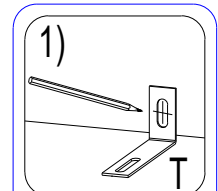
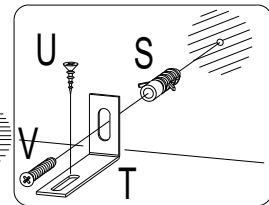
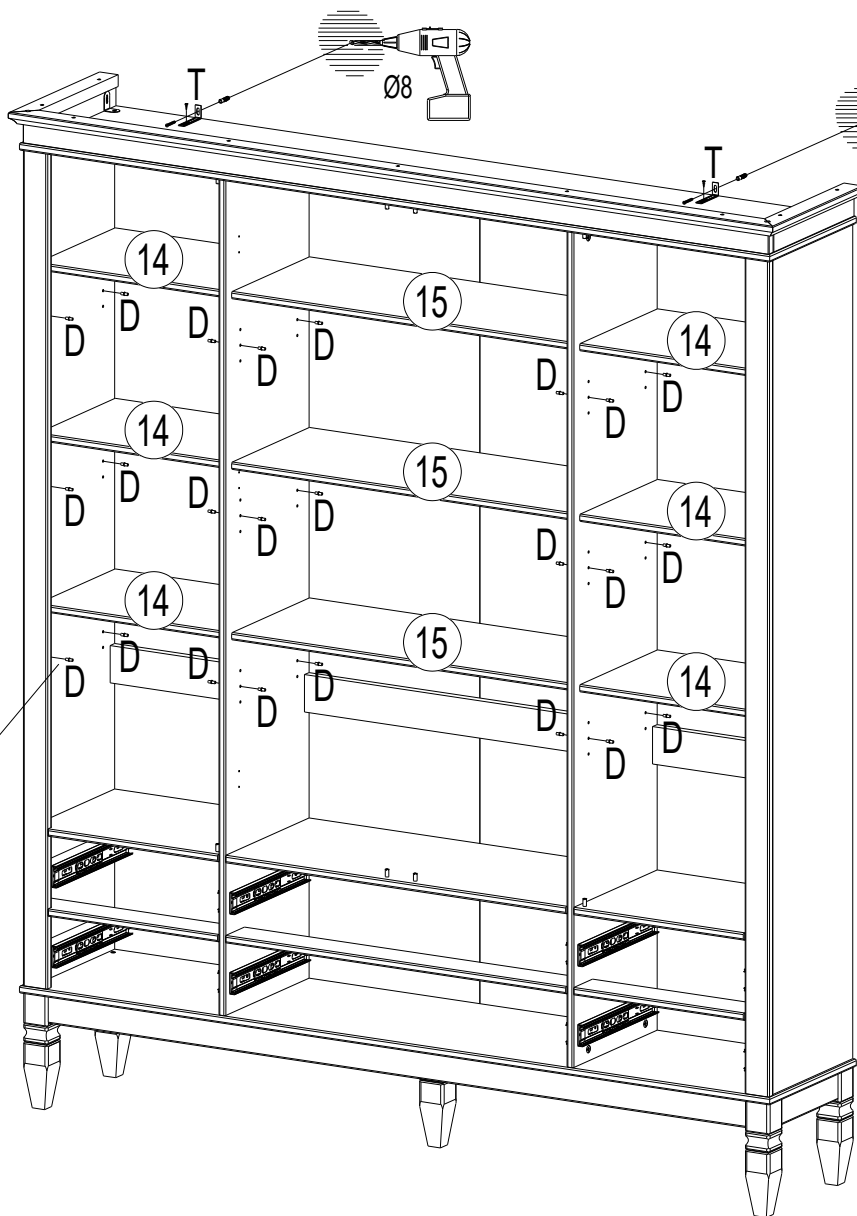
D 190002  
x36

S 090004  
8x40 x2

U 250012  
3,5x15 x2

T 180080  
x2

V 250044  
4x40 x2



17

250012  
3,5x15  
x12

