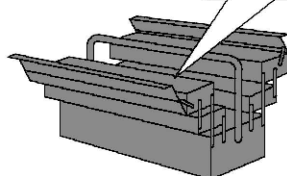
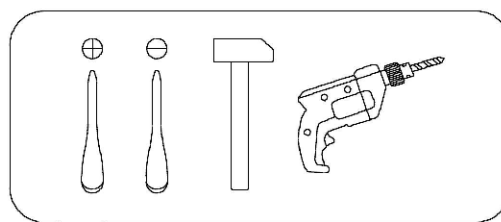
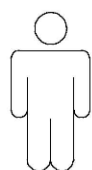
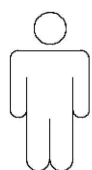
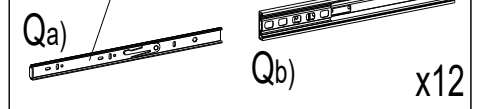
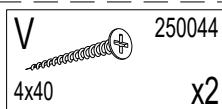
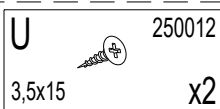
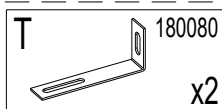
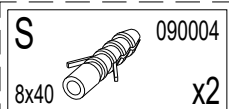
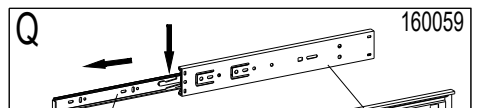
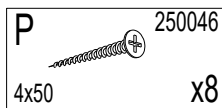
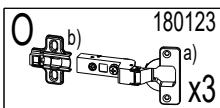
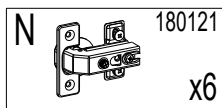
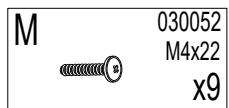
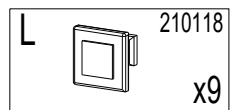
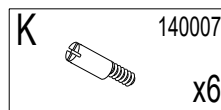
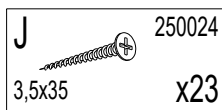
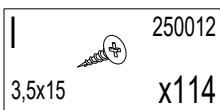
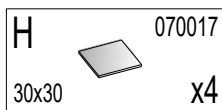
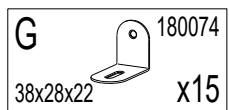
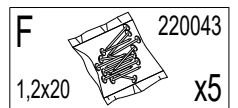
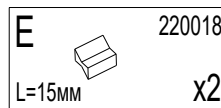
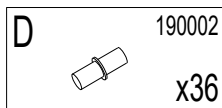
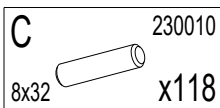
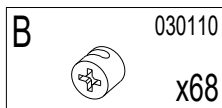
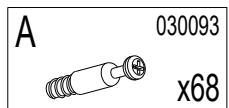
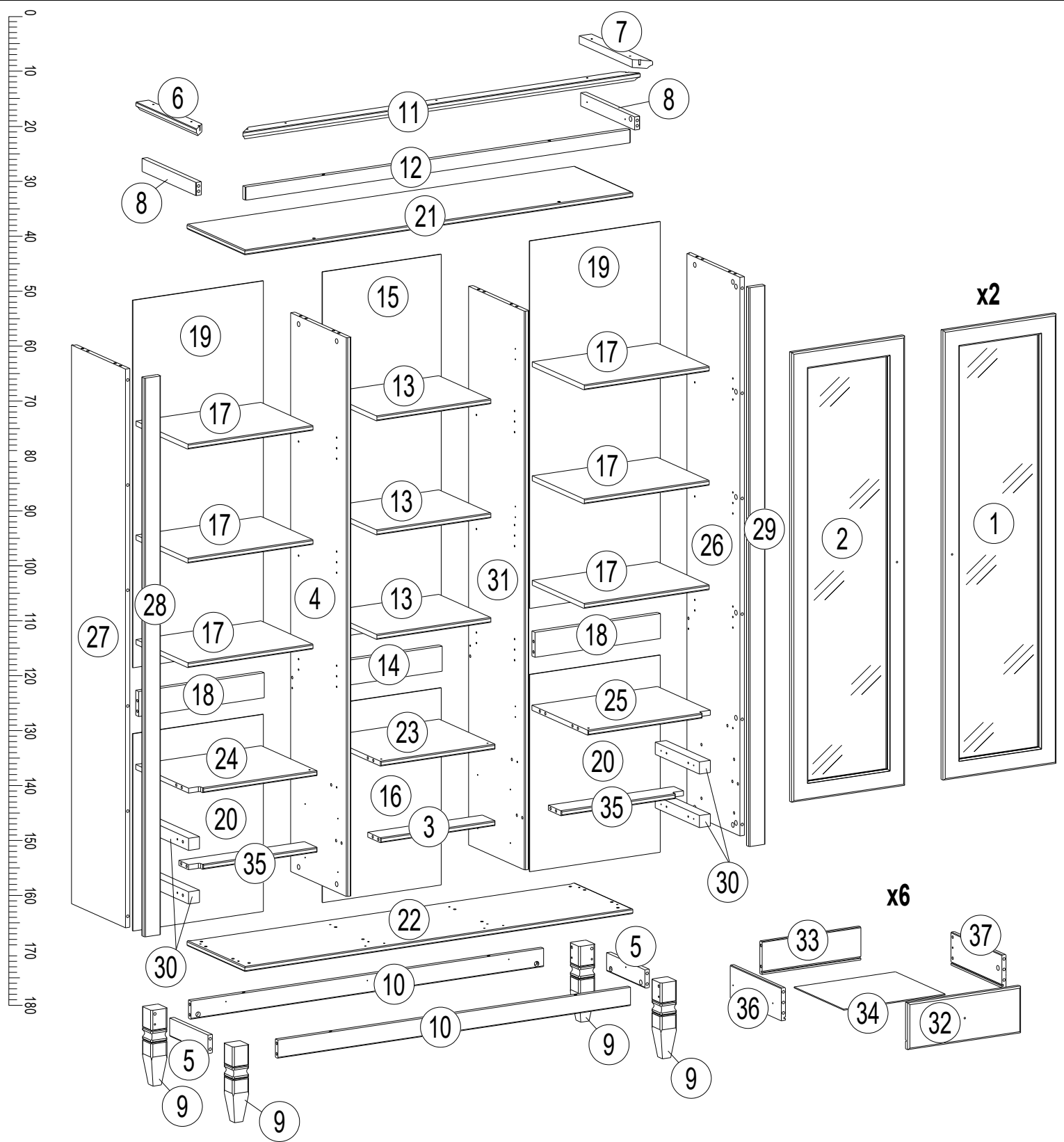


- | | | | |
|-----------|------------------------------------|-----------|--------------------------------|
| D | Montageanleitung | GB | Assembly instructions |
| FR | Notice de montage | IT | Istruzioni di montaggio |
| NL | Handleiding voor de montage | PL | Instrukcja montażu |
| CZ | Montážní návod | SK | Návod na montáž |
| HU | Szerelési útmutató | RO | Instrukțiuni de montaj |
| TR | Montaj talimatı | RU | Инструкция по монтажу |





№	Size/MaB (mm)	Qty	✓	№	Size/MaB (mm)	Qty	✓
1	1368x383x18	2		20	600x443x3	2	
2	1368x383x18	1		21	1317x340x15	1	
3	389x76x15	1		22	1317x340x15	1	
4	1700x330x15	1		23	389x330x15	1	
5	225x56x15	2		24	426x330x15	1	
6	356x44x24	1		25	426x330x15	1	
7	356x44x24	1		26	1700x317x15	1	
8	317x40x18	2		27	1700x317x15	1	
9	235x55x55	4		28	1700x55x18	1	
10	1197x56x15	2		29	1700x55x18	1	
11	1349x44x24	1		30	260x37x37	4	
12	1307x40x18	1		31	1700x330x15	1	
13	387x306x15	3		32	383x142x18	6	
14	389x76x18	1		33	335x100x14	6	
15	1118x403x3	1		34	344x292x3	6	
16	600x403x3	1		35	426x76x15	2	
17	424x306x15	6		36	300x100x14	6	
18	426x76x18	2		37	300x100x14	6	
19	1118x443x3	2					

1

A 030093 x26

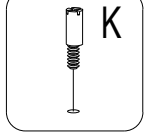
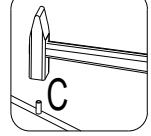
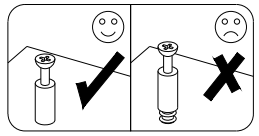
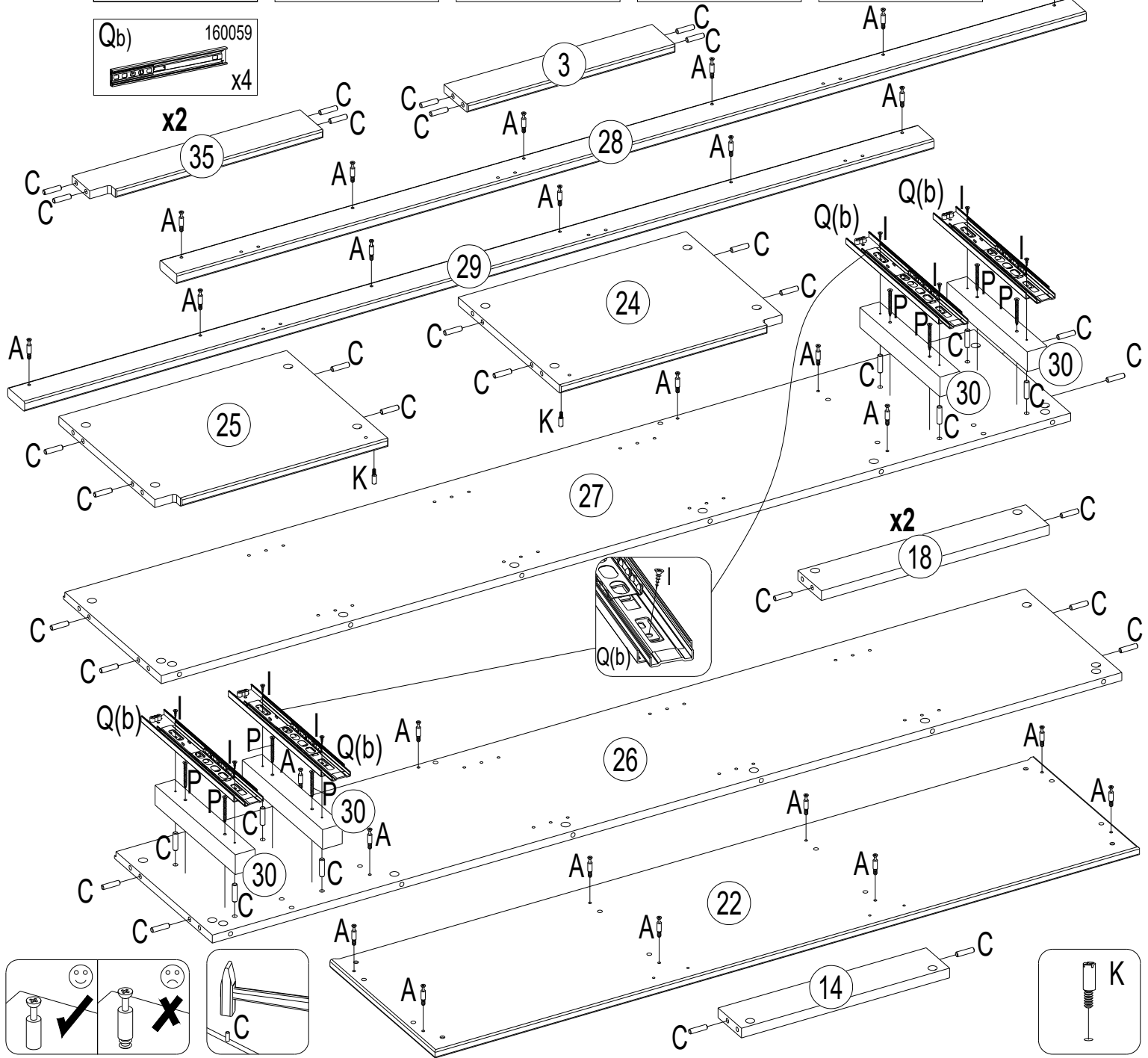
C 230010 8x32 x42

I 250012 3,5x15 x8

K 140007 x2

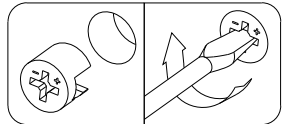
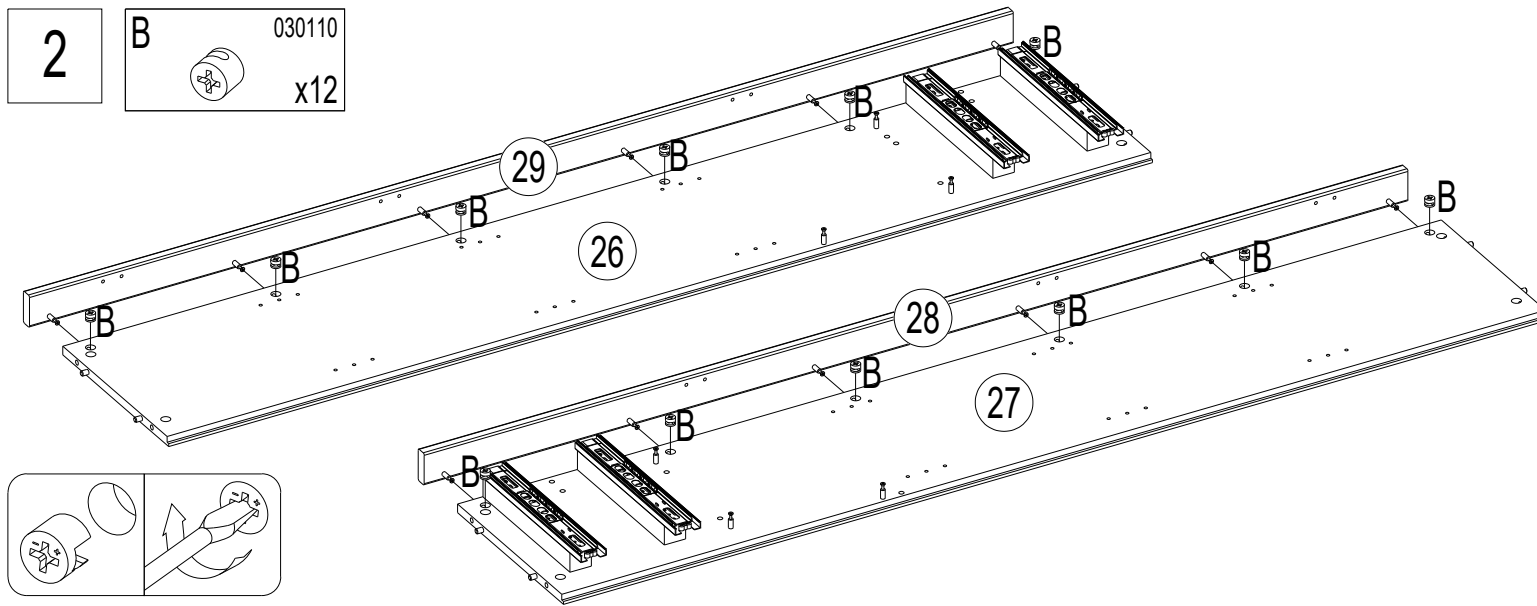
P 250046 4x50 x8

Q(b) 160059 x4



2

B 030110 x12



3a

A 030093 x20

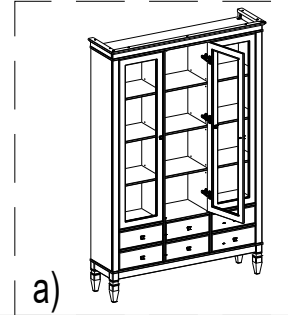
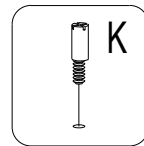
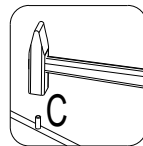
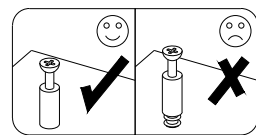
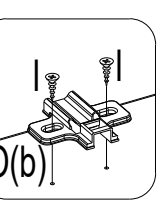
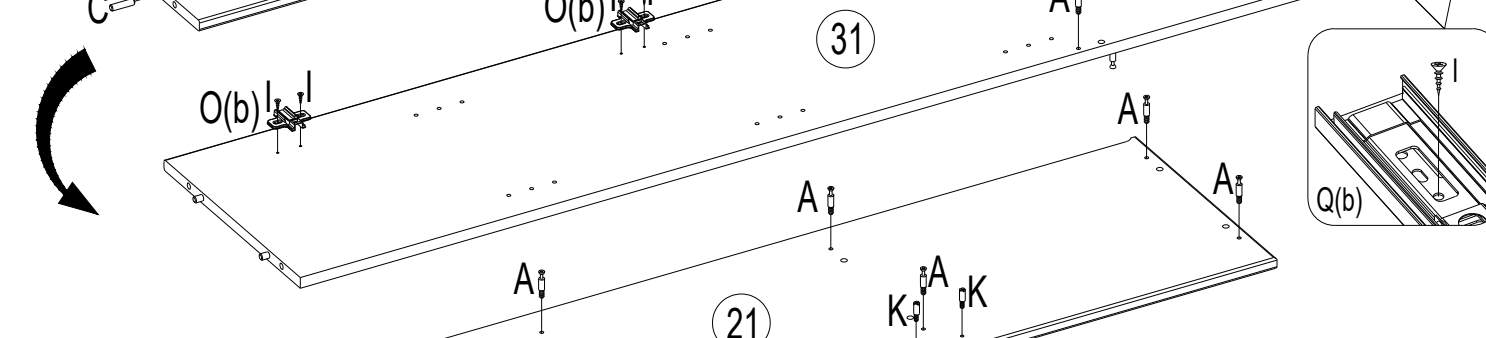
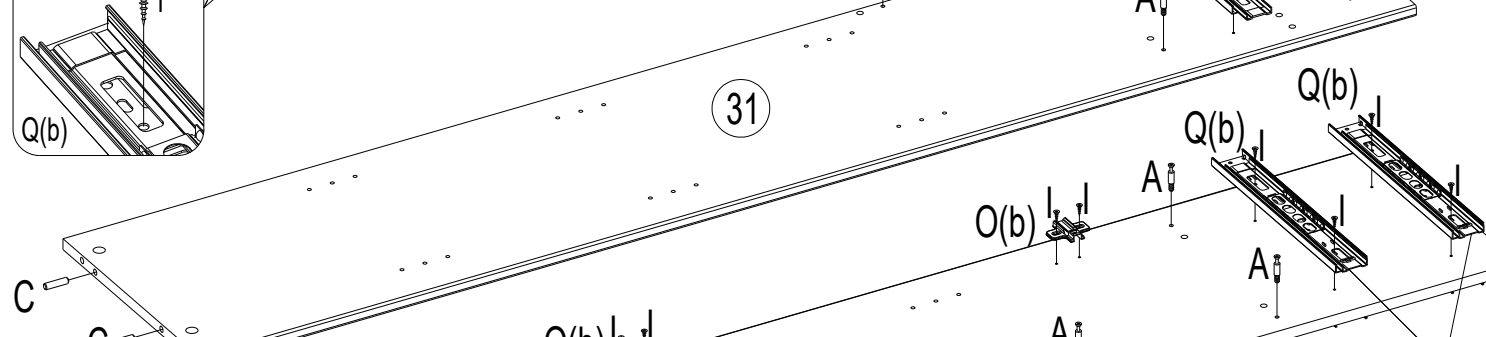
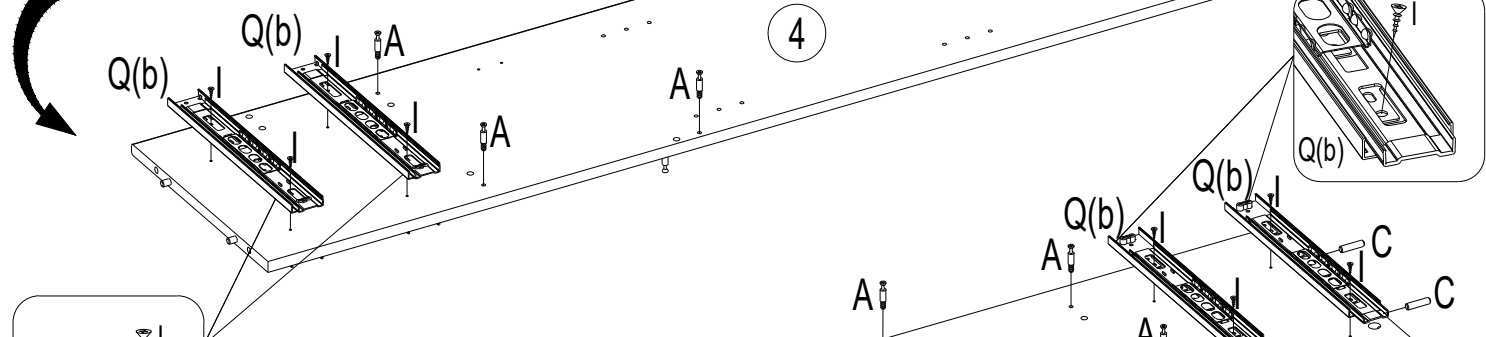
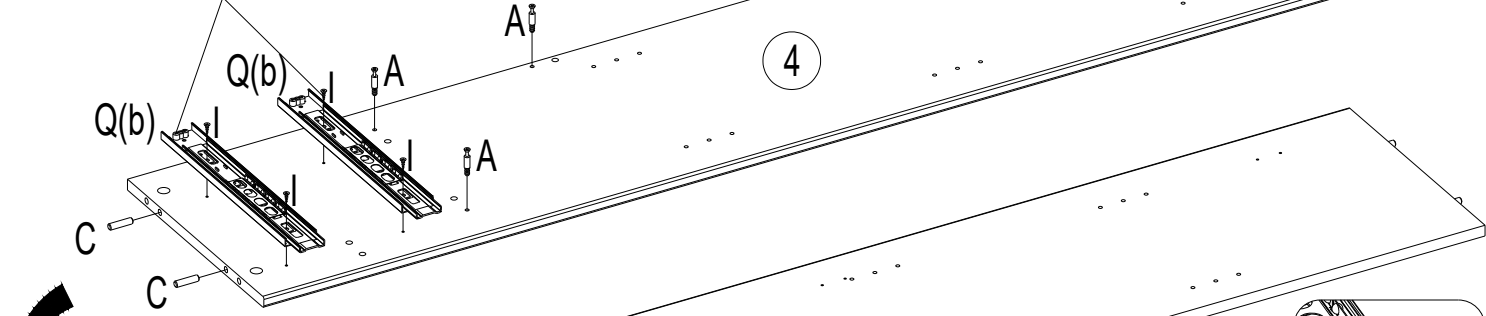
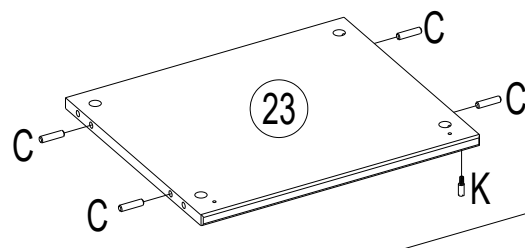
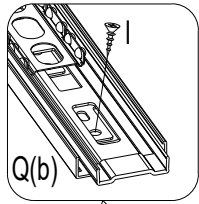
C 230010 8x32 x12

I 250012 3,5x15 x22

K 140007 x4

O 180123 x3

Q(b) 160059 x8



3b

A 030093 x20

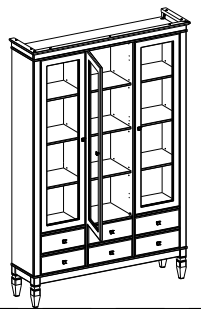
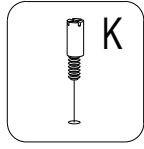
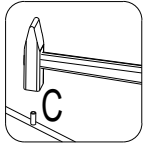
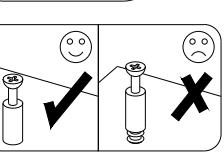
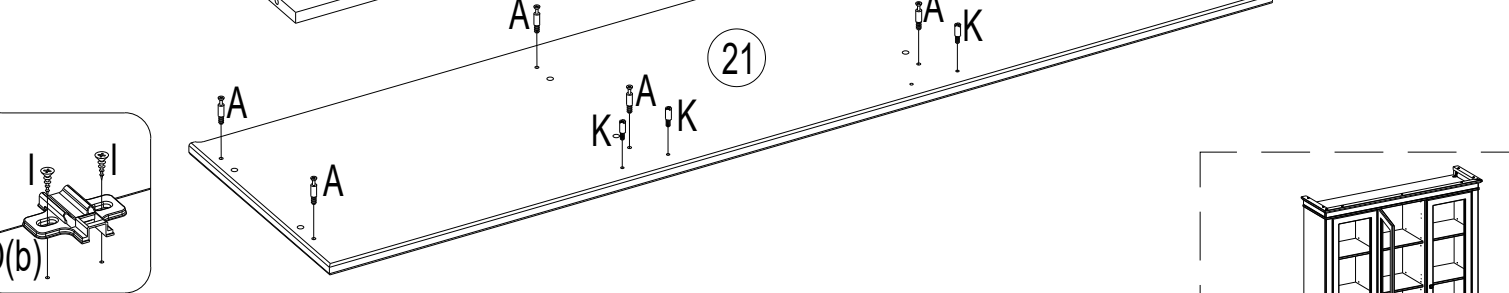
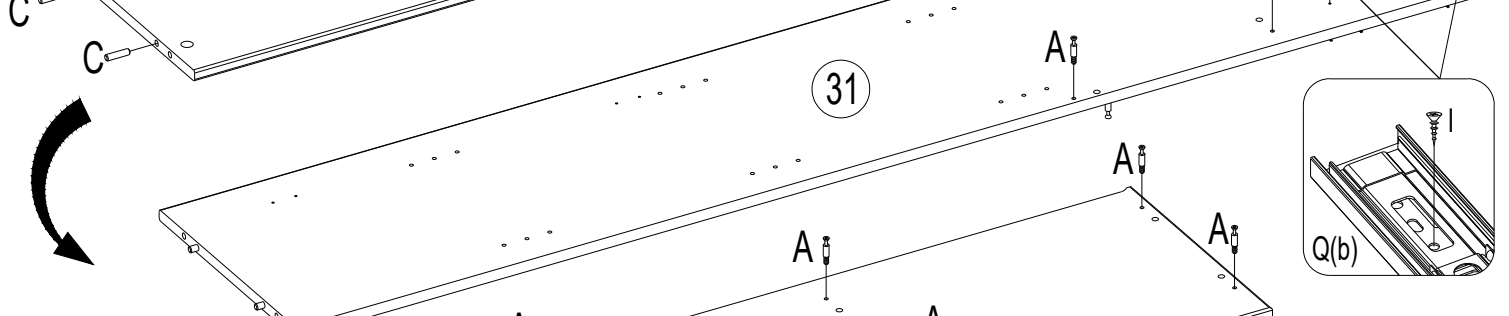
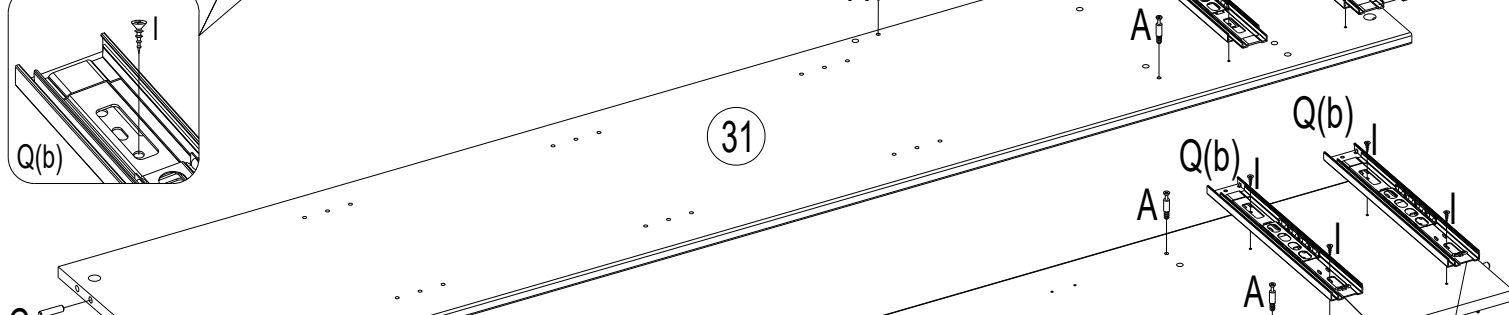
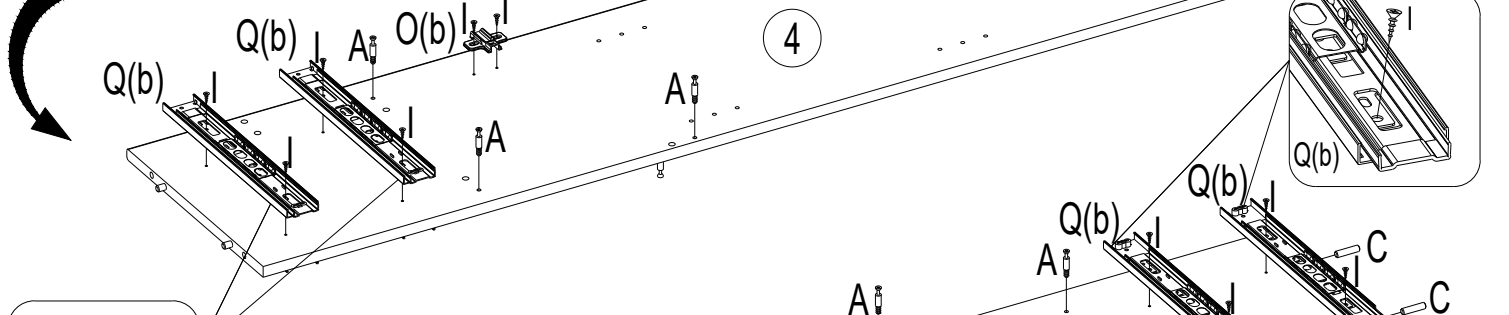
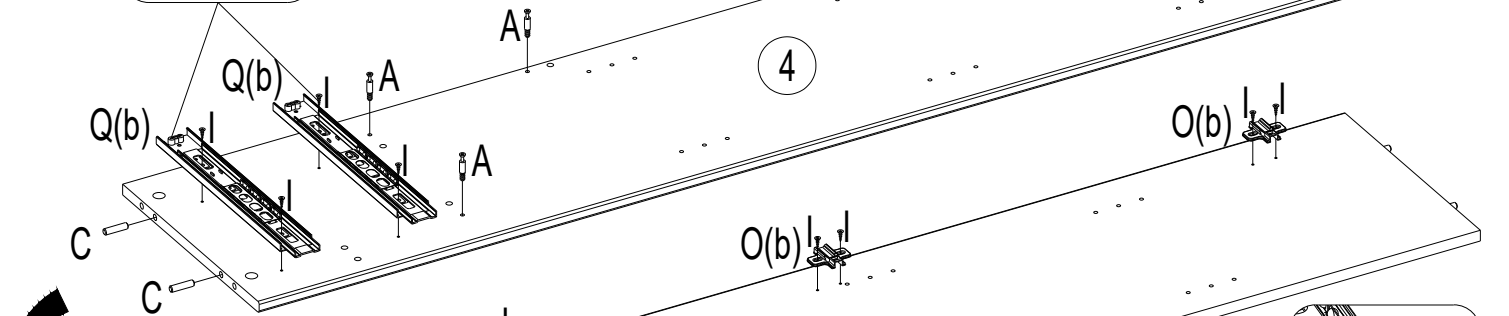
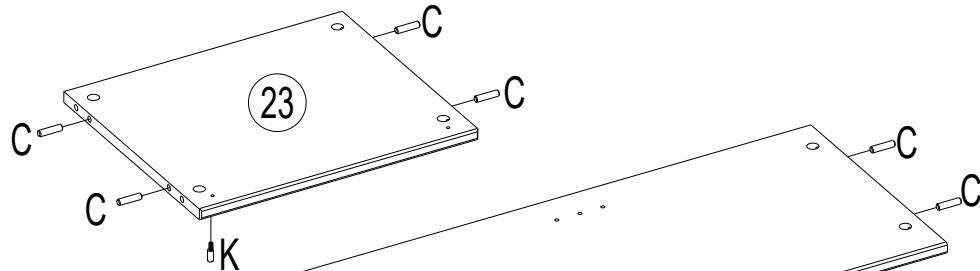
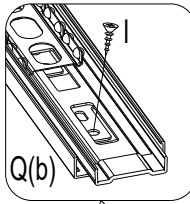
C 230010 8x32 x12

I 250012 3,5x15 x22

K 140007 x4

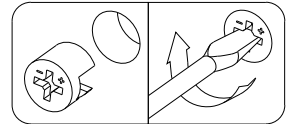
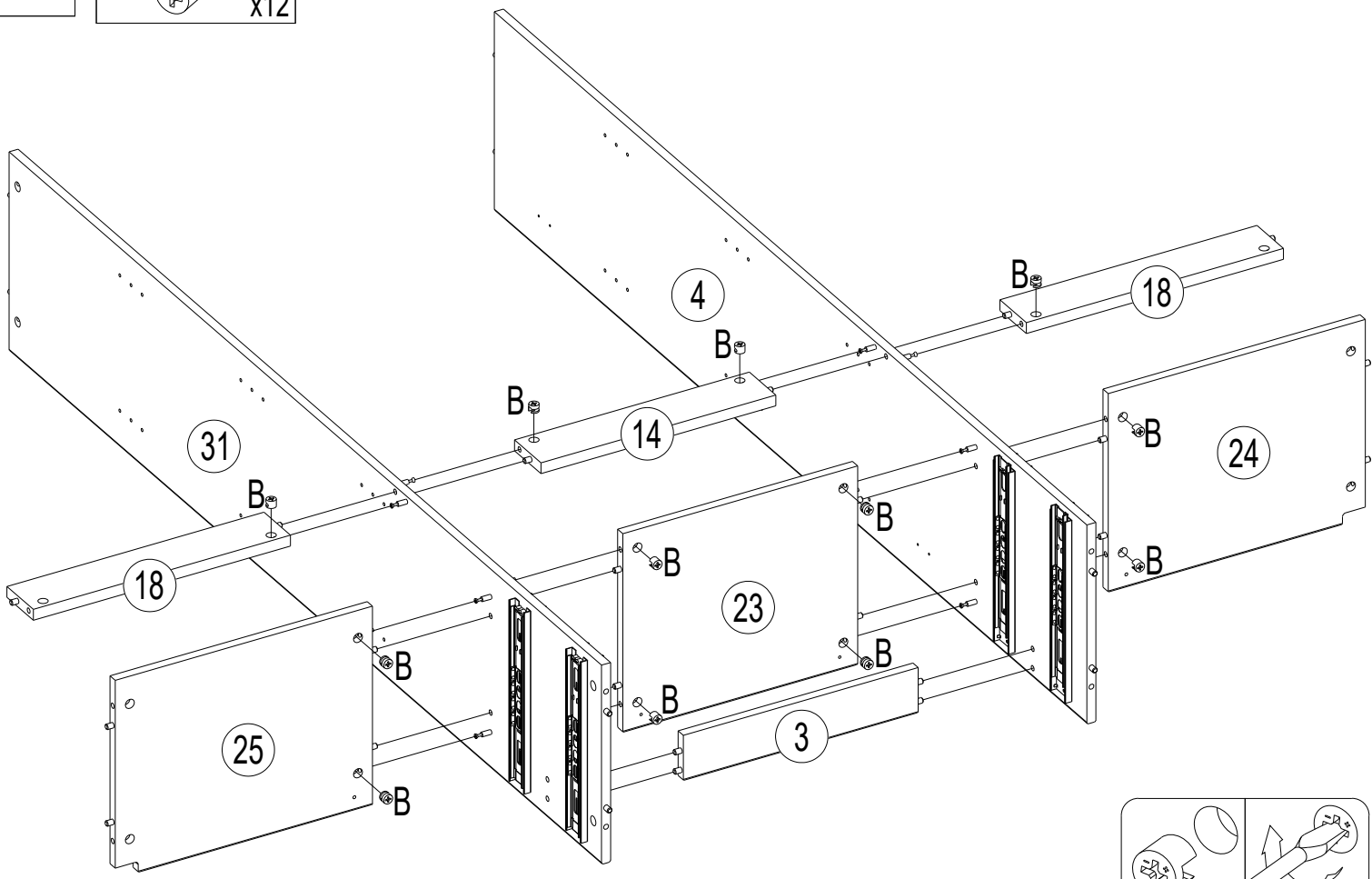
O 180123 x3

Q(b) 160059 x8



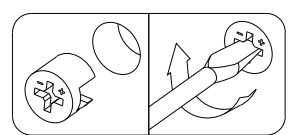
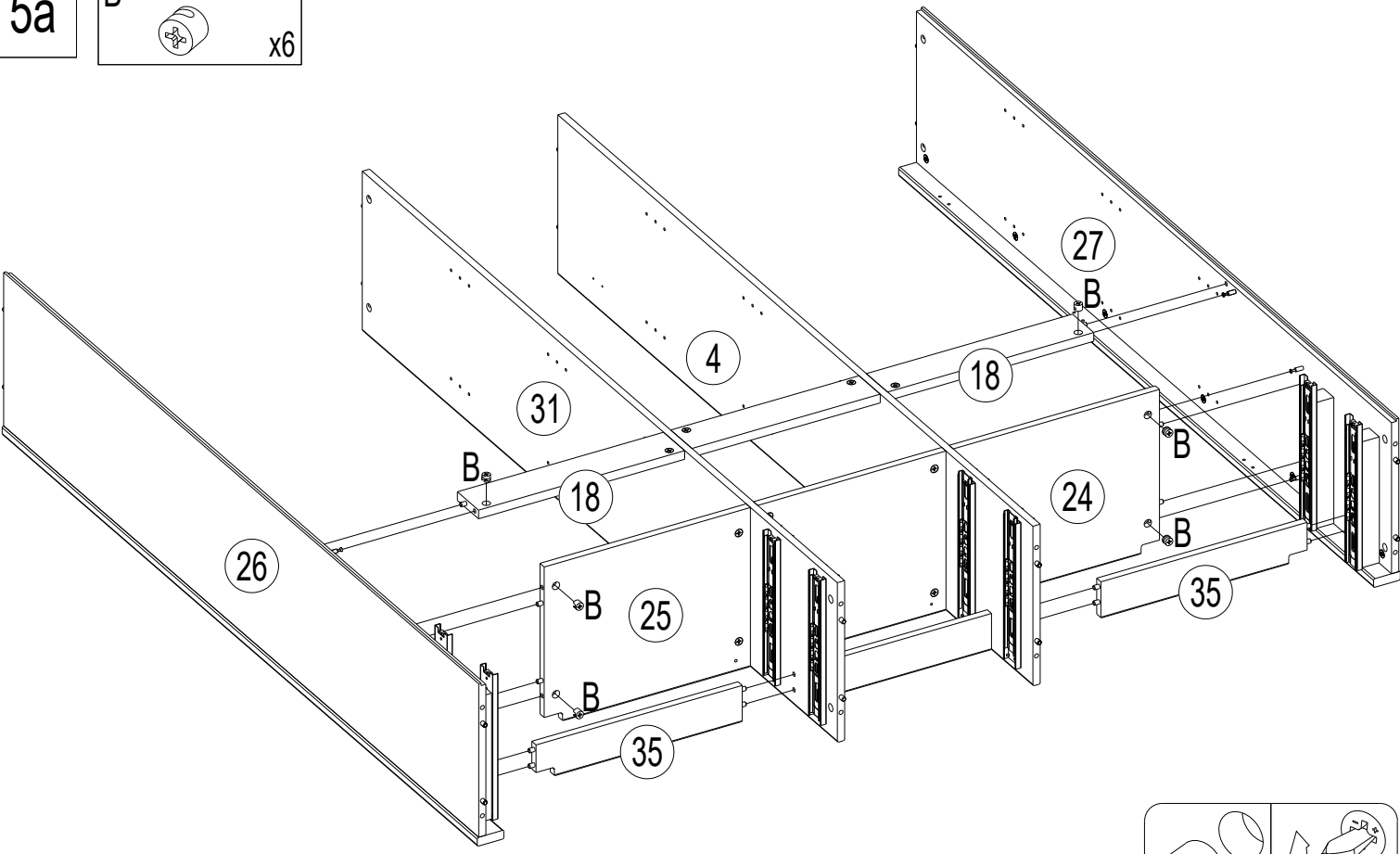
4a

B 030110 x12

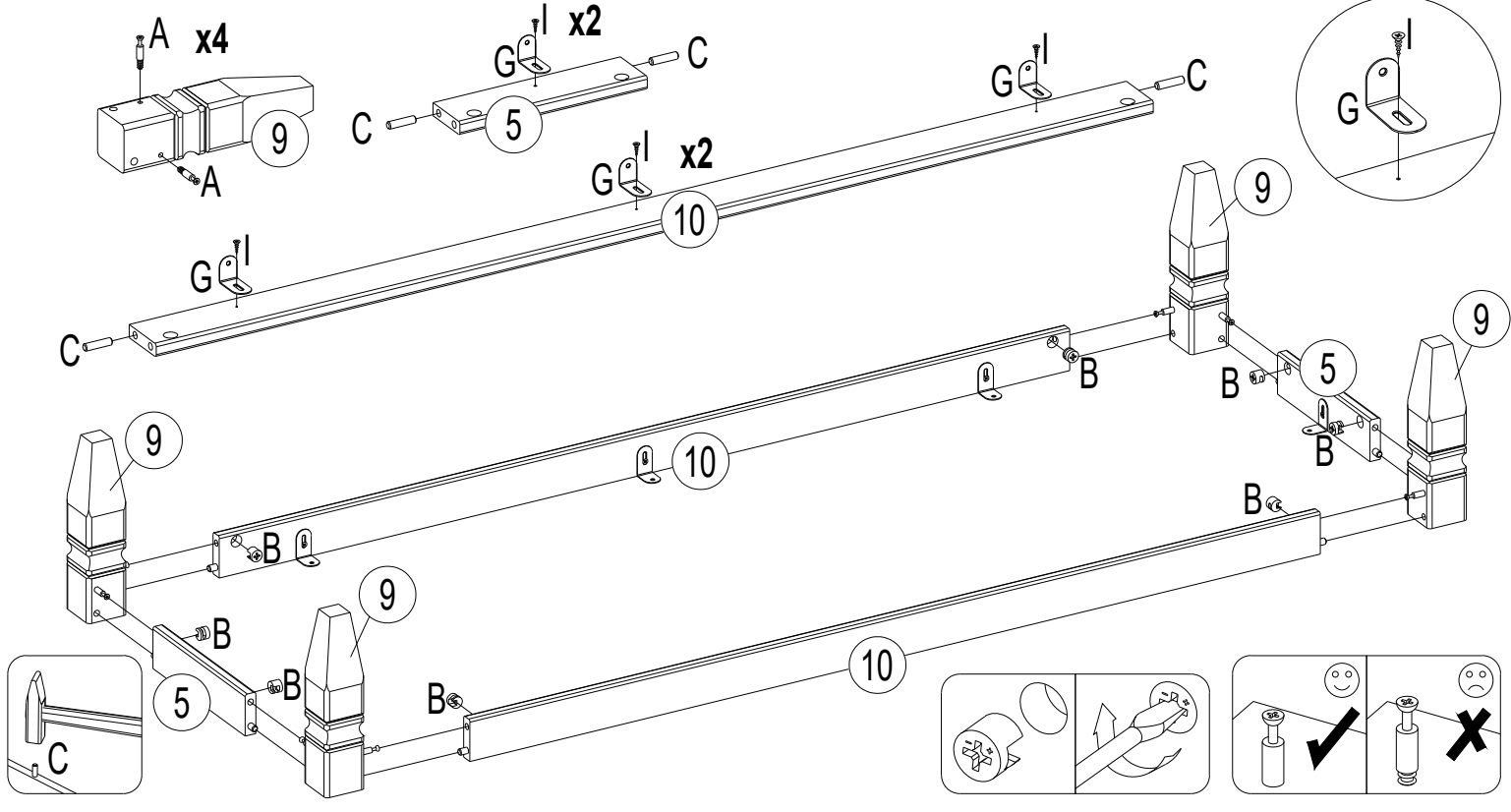


5a

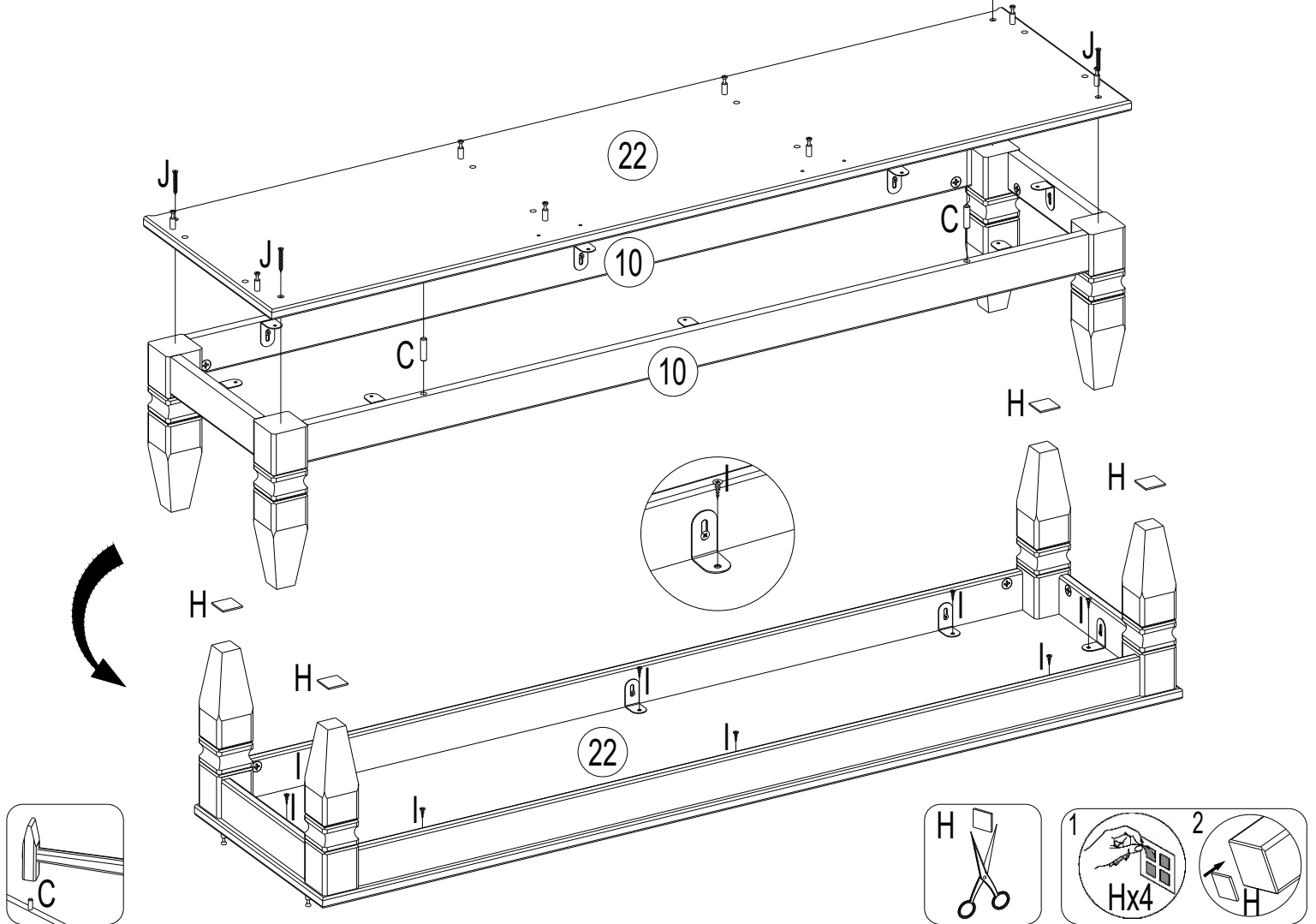
B 030110 x6



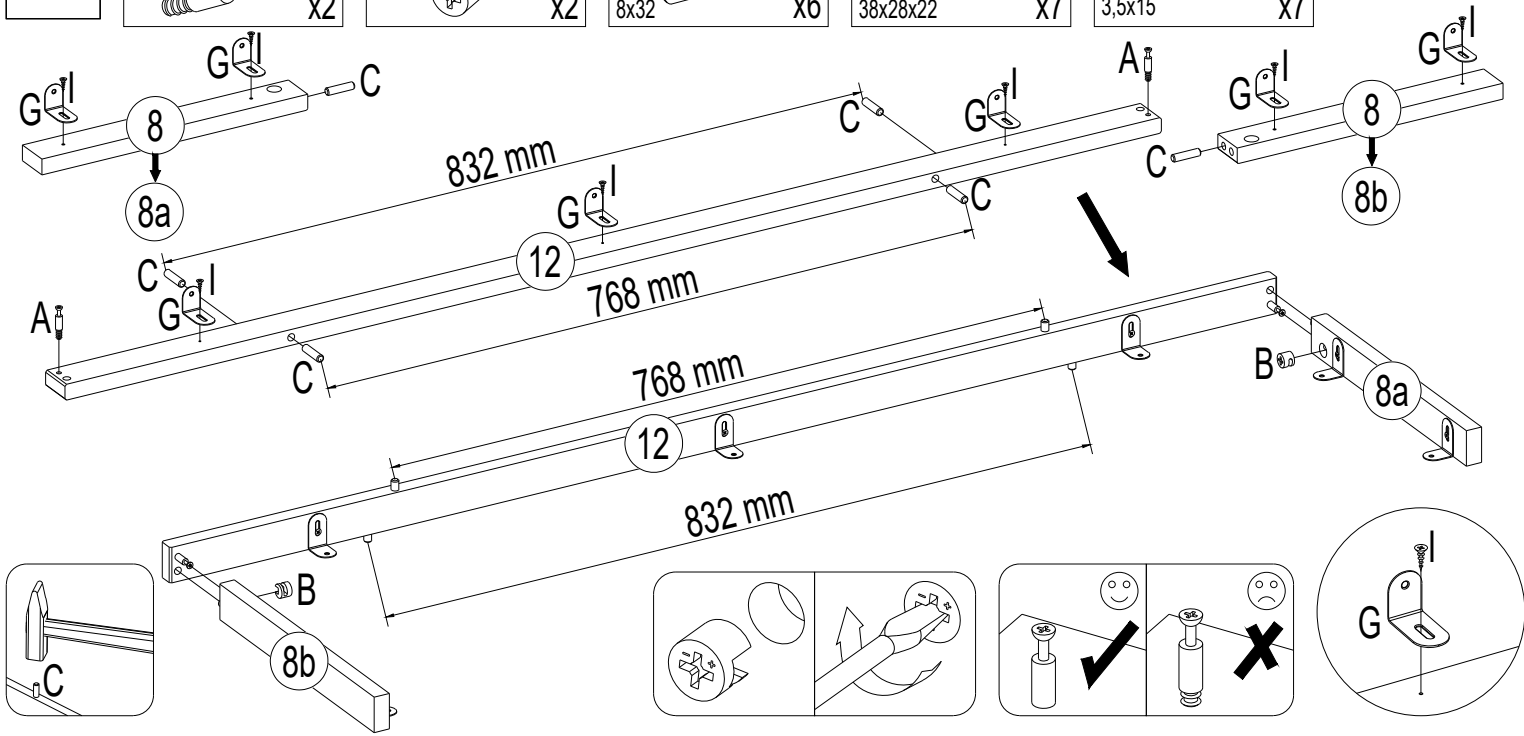
- 6** **A** 030093 x8
- B** 030110 x8
- C** 230010 8x32 x8
- G** 180074 38x28x22 x8
- I** 250012 3,5x15 x8



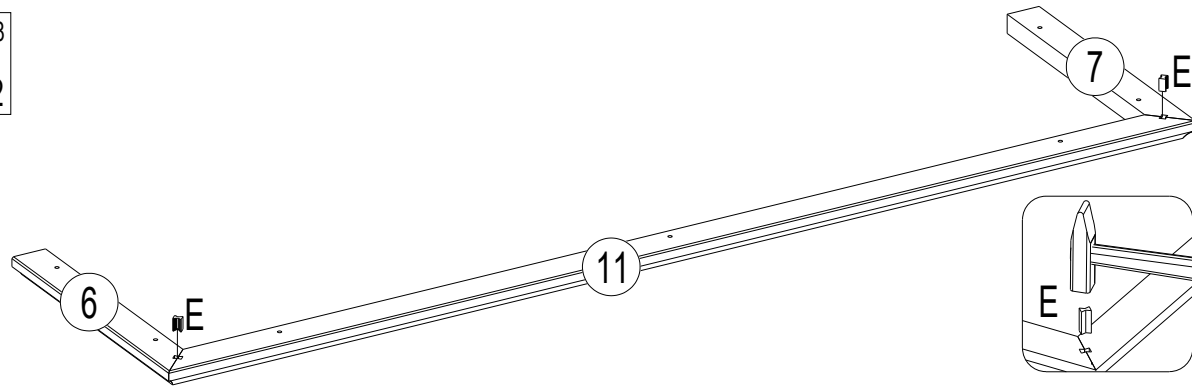
- 7** **C** 230010 8x32 x2
- H** 070017 30x30 x4
- I** 250012 3,5x15 x8
- J** 250024 3,5x35 x4



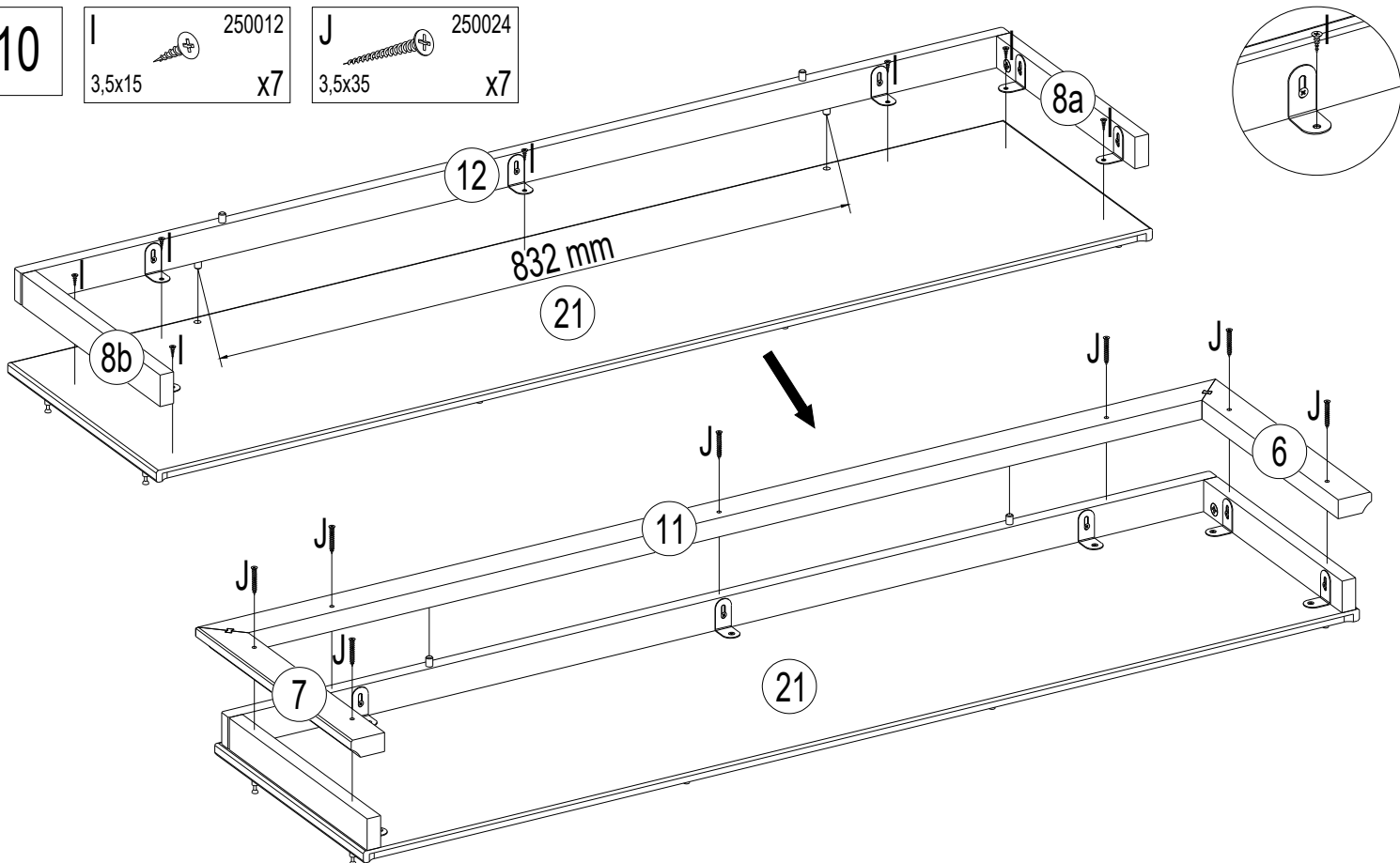
- | | | | | | |
|----------|-----------------------|-----------------------|----------------------------|--------------------------------|------------------------------|
| 8 | A 030093
x2 | B 030110
x2 | C 230010
8x32 x6 | G 180074
38x28x22 x7 | I 250012
3,5x15 x7 |
|----------|-----------------------|-----------------------|----------------------------|--------------------------------|------------------------------|



- | | |
|----------|------------------------------|
| 9 | E 220018
L=15MM x2 |
|----------|------------------------------|

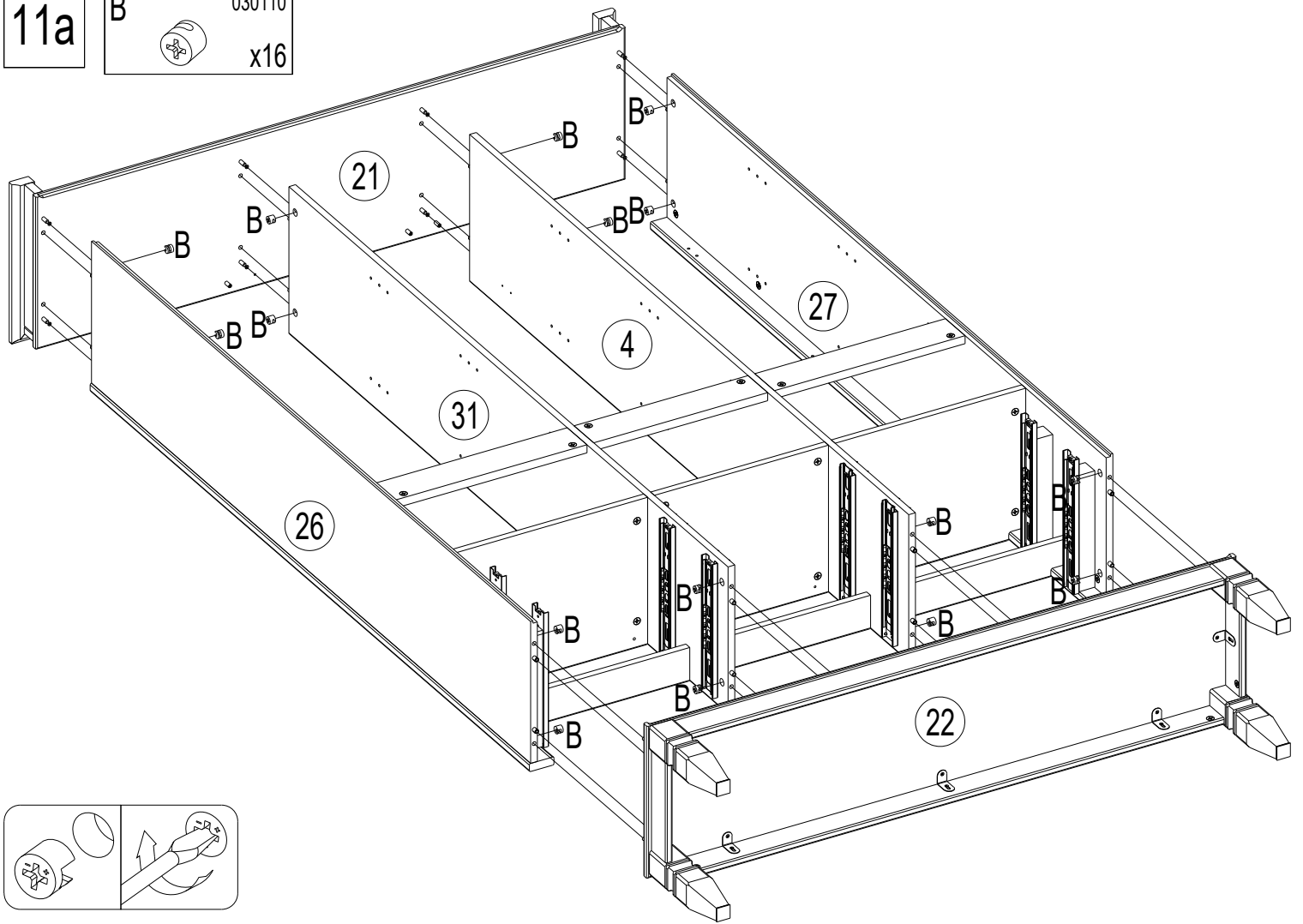


- | | | |
|-----------|------------------------------|------------------------------|
| 10 | I 250012
3,5x15 x7 | J 250024
3,5x35 x7 |
|-----------|------------------------------|------------------------------|



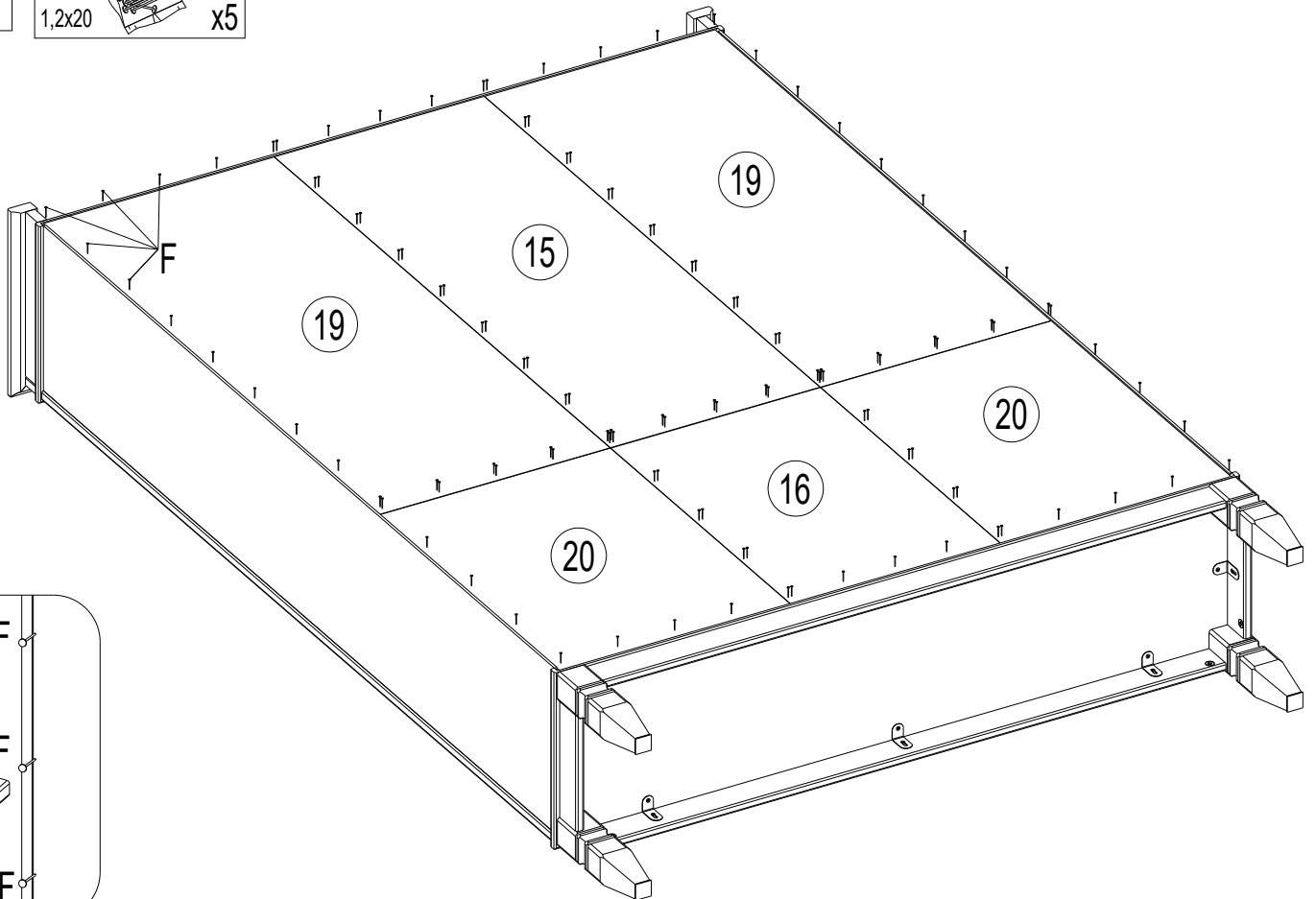
11a

B 030110
x16




12

F 220043
1,2x20 x5

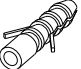


13a

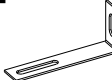
D 190002 x36




S 090004 x2
8x40




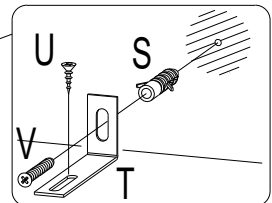
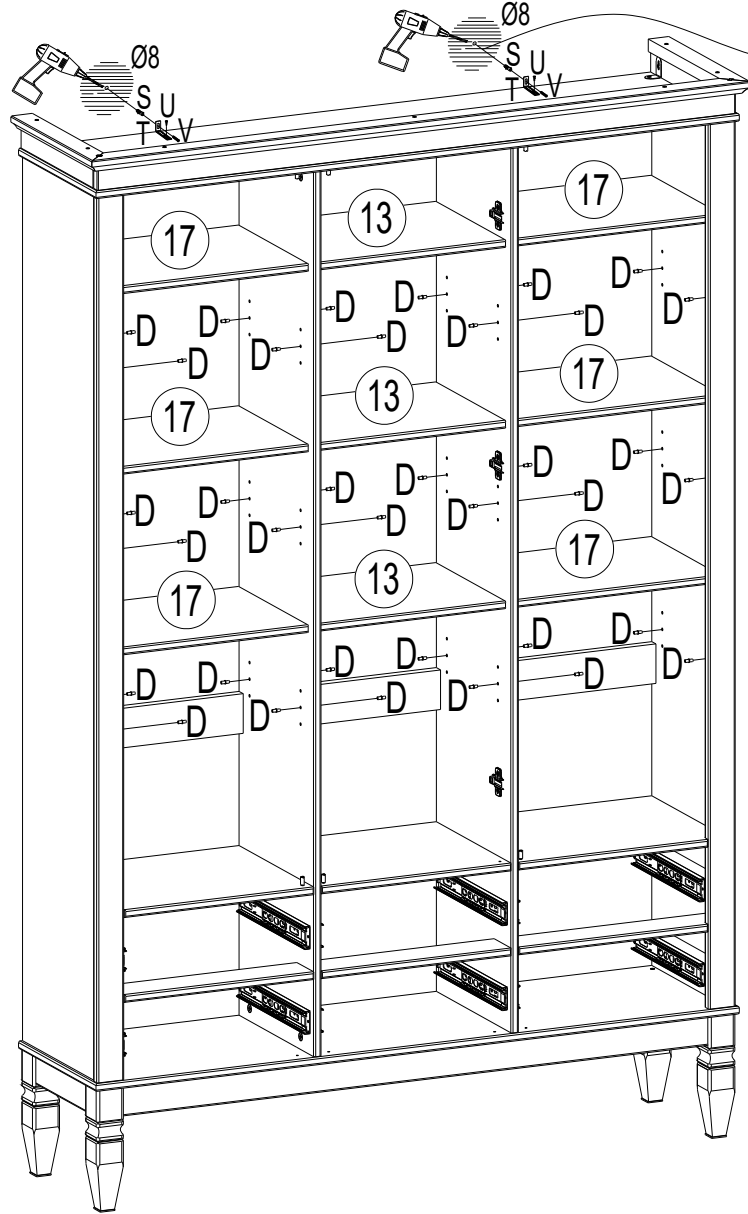
T 180080 x2

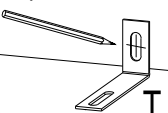
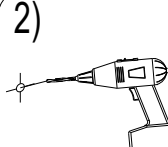
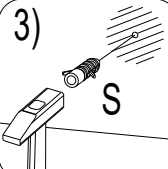
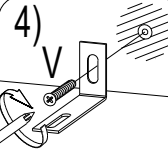
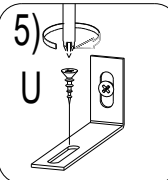


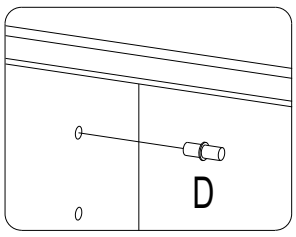
U 250012 x2
3,5x15



V 250044 x2
4x40





- 1) 
- 2) 
- 3) 
- 4) 
- 5) 




14


I 250012 x18
3,5x15



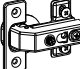
L 210118 x3



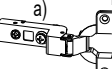
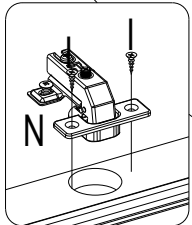
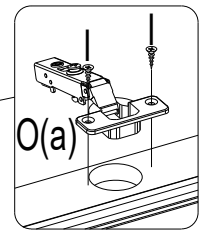
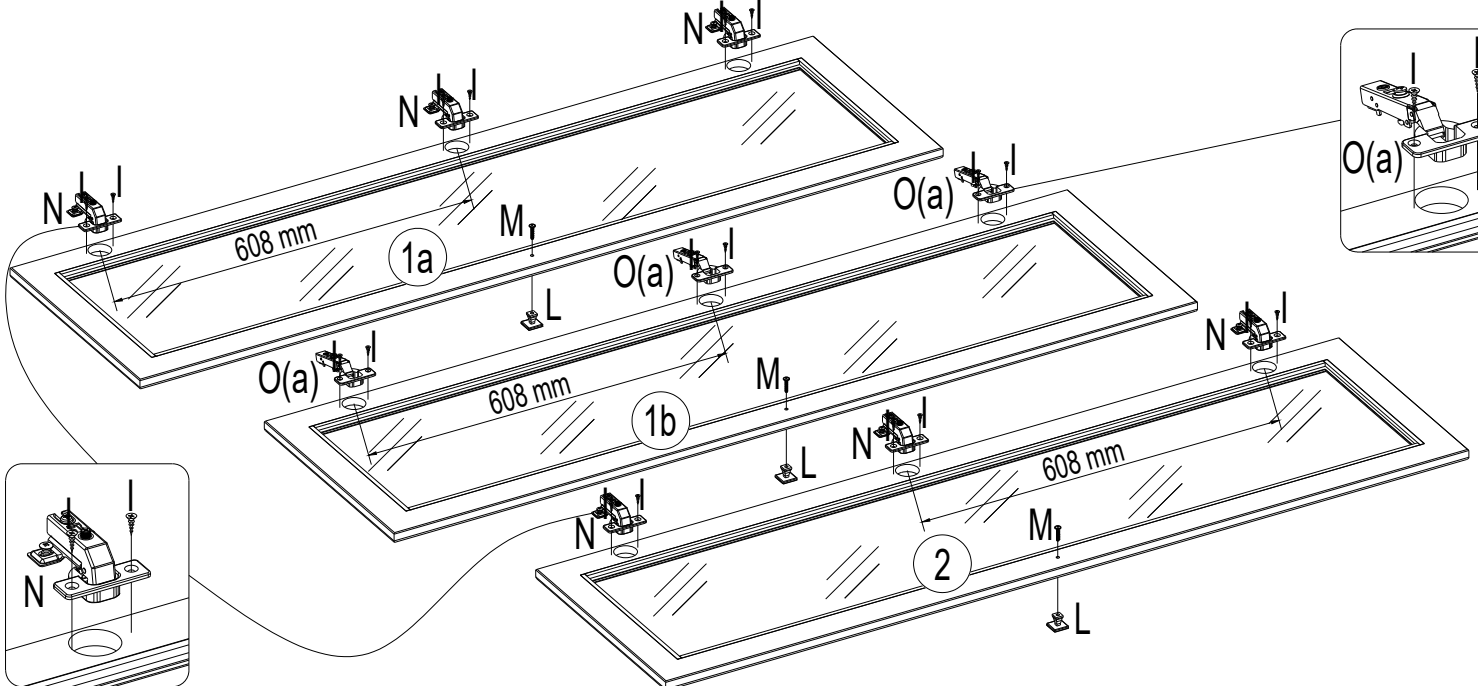
M 030052 x3
M4x22



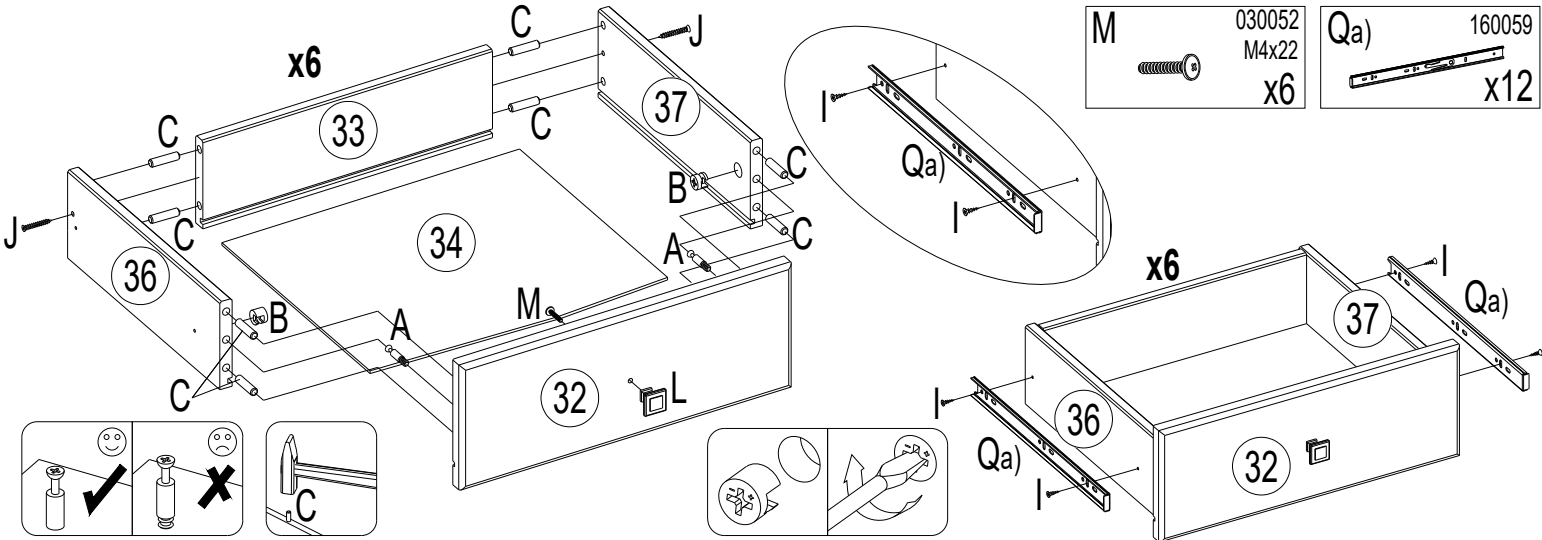
N 180121 x6



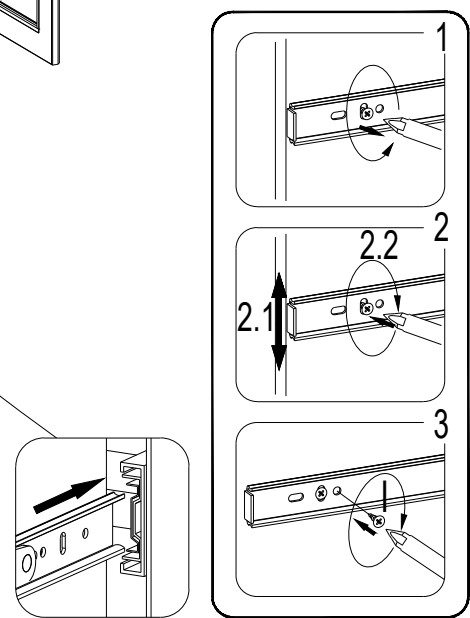
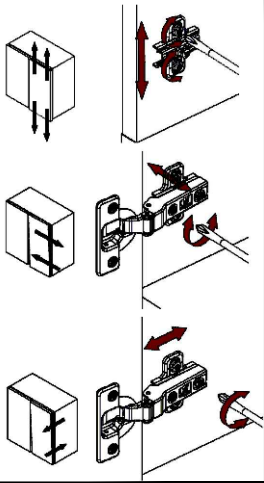
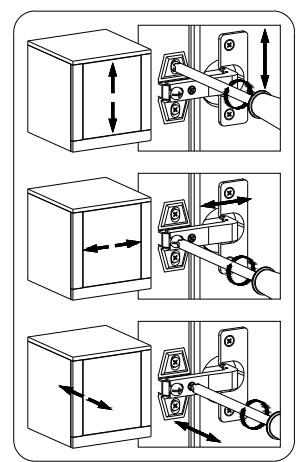
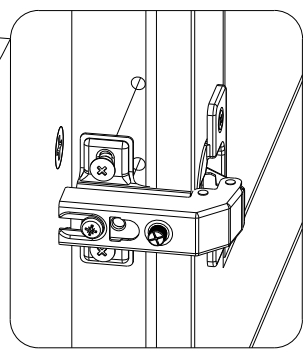
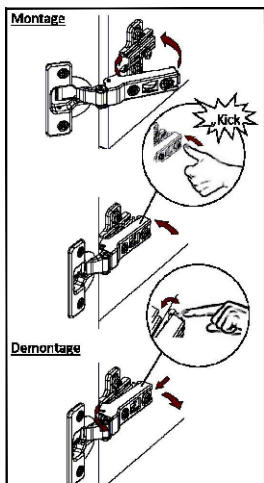
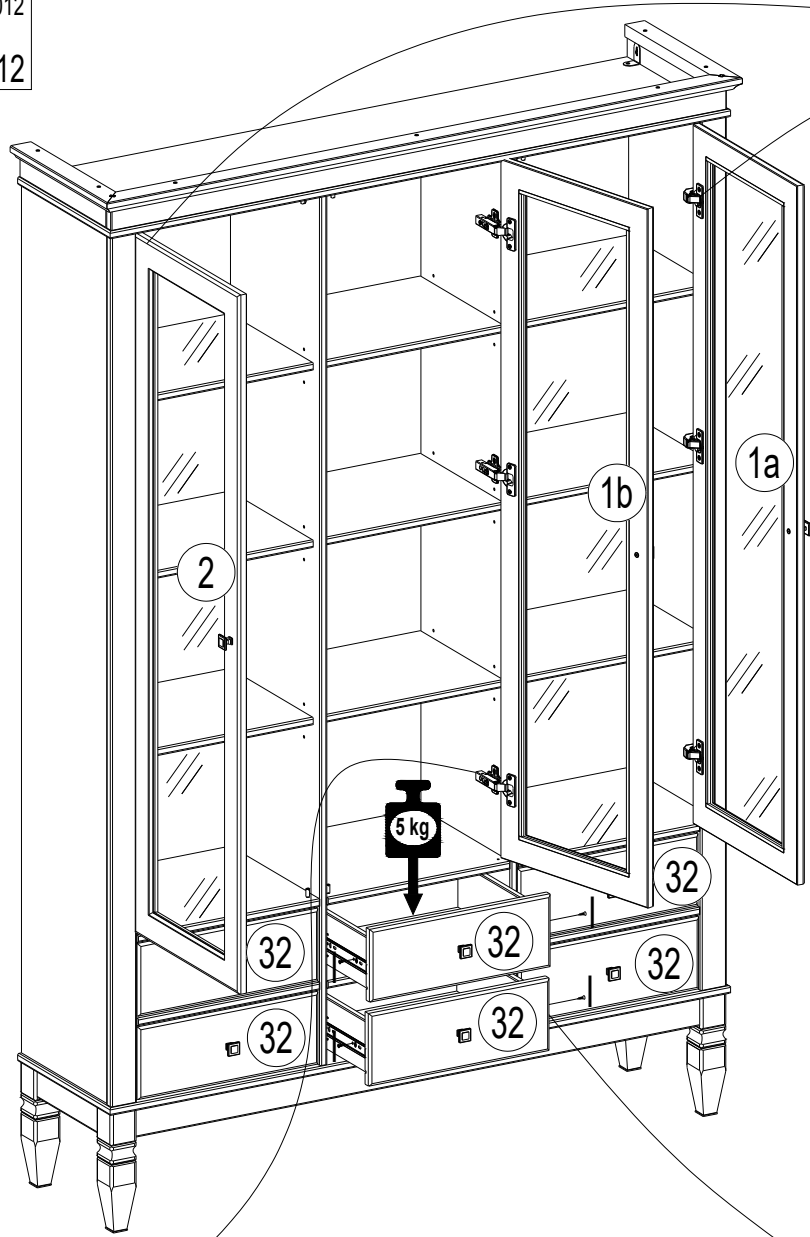
O 180123 x3
a)

- | | | | | | | |
|-----------|--------------------------------|--------------------------|-----------------------------|-------------------------------|-------------------------------|-----------------------|
| 15 | A 030093
x12 | B 030110
x12 | C 230010
8x32 x48 | I 250012
3,5x15 x24 | J 250024
3,5x35 x12 | L 210118
x6 |
| | M 030052
M4x22
x6 | Qa) 160059
x12 | | | | |



- | | |
|------------|-------------------------------|
| 16a | I 250012
3,5x15 x12 |
|------------|-------------------------------|



16b

250012
3,5x15 x12

