










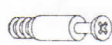
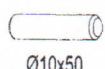









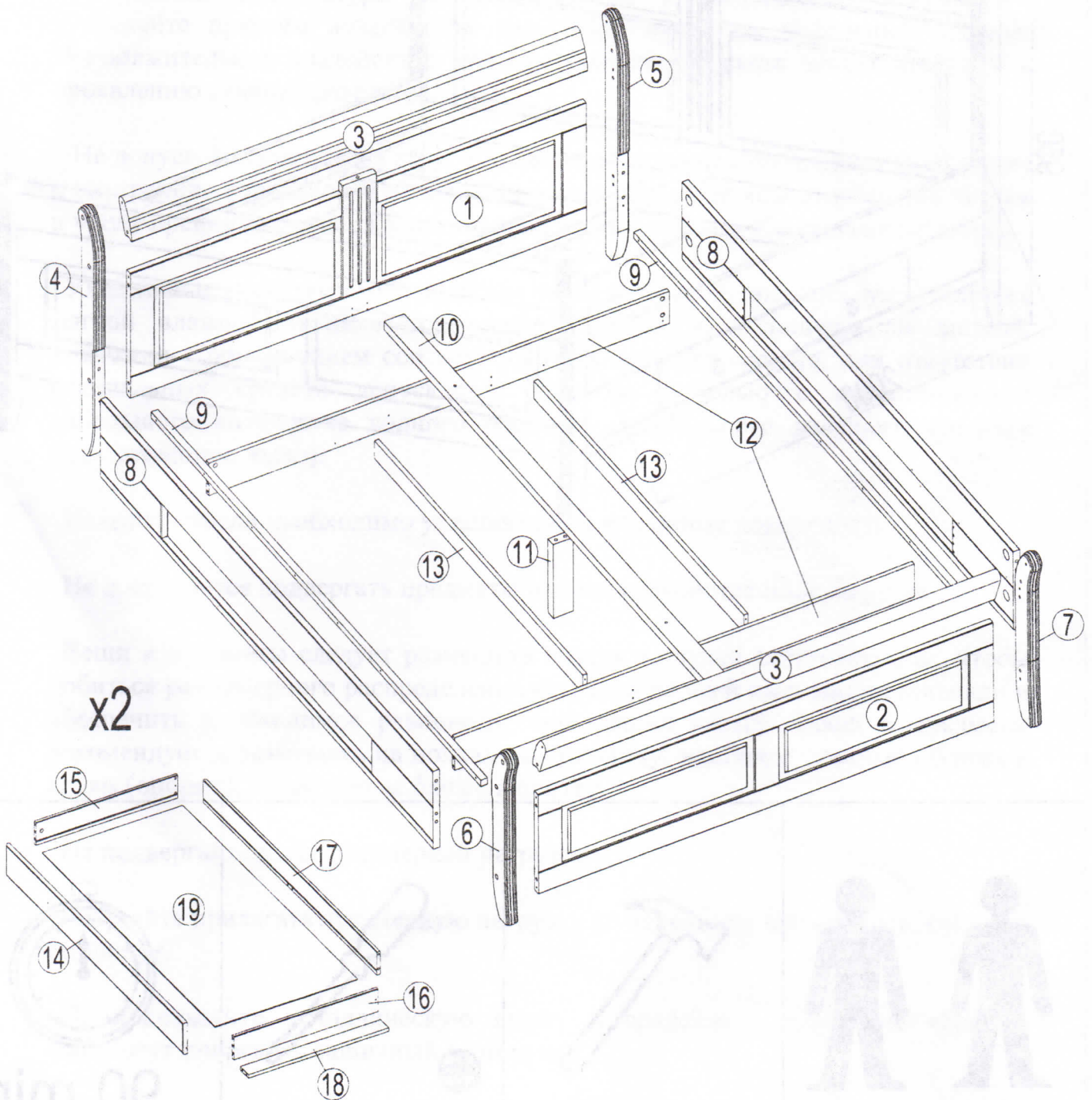
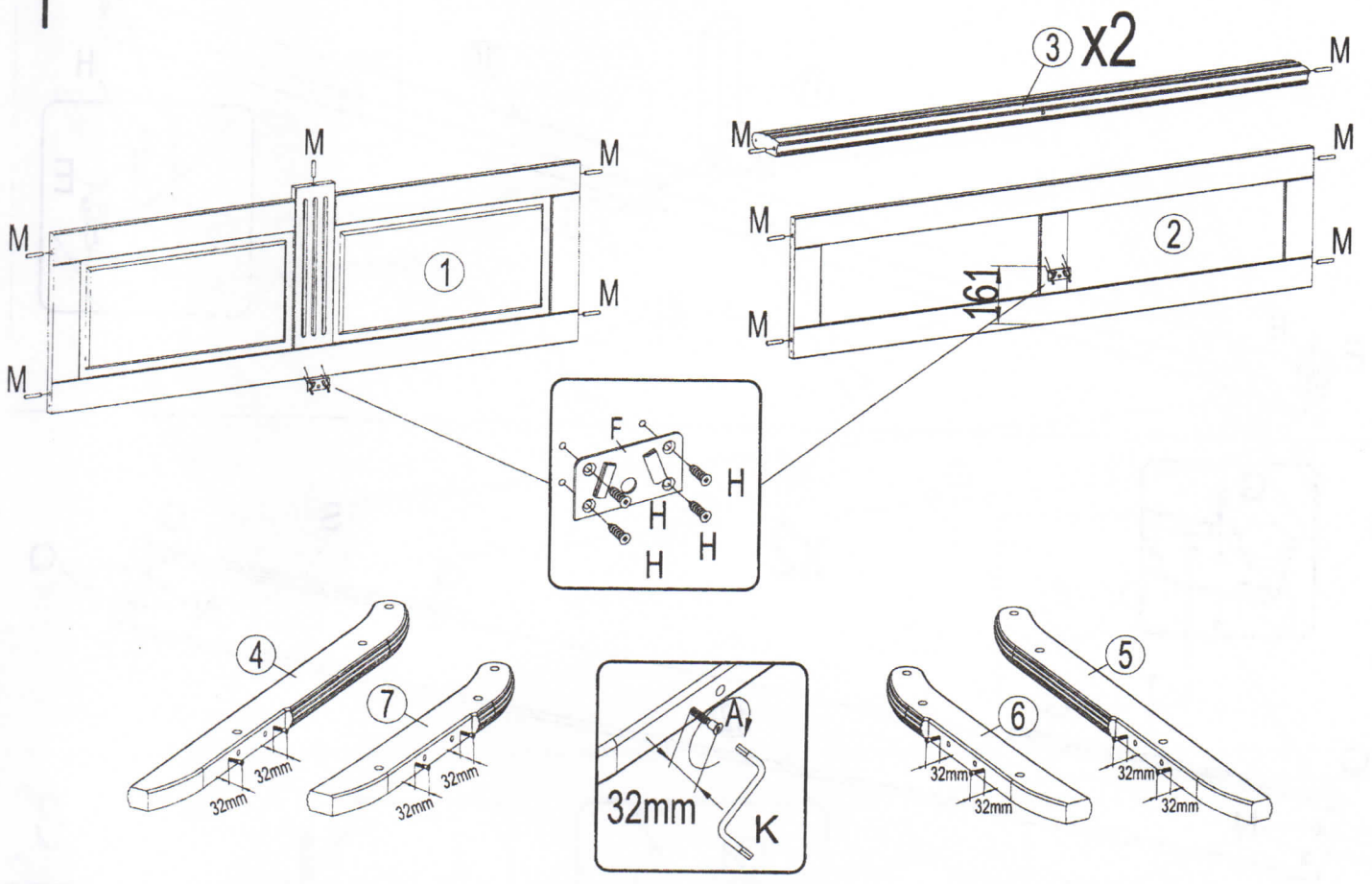


90 min

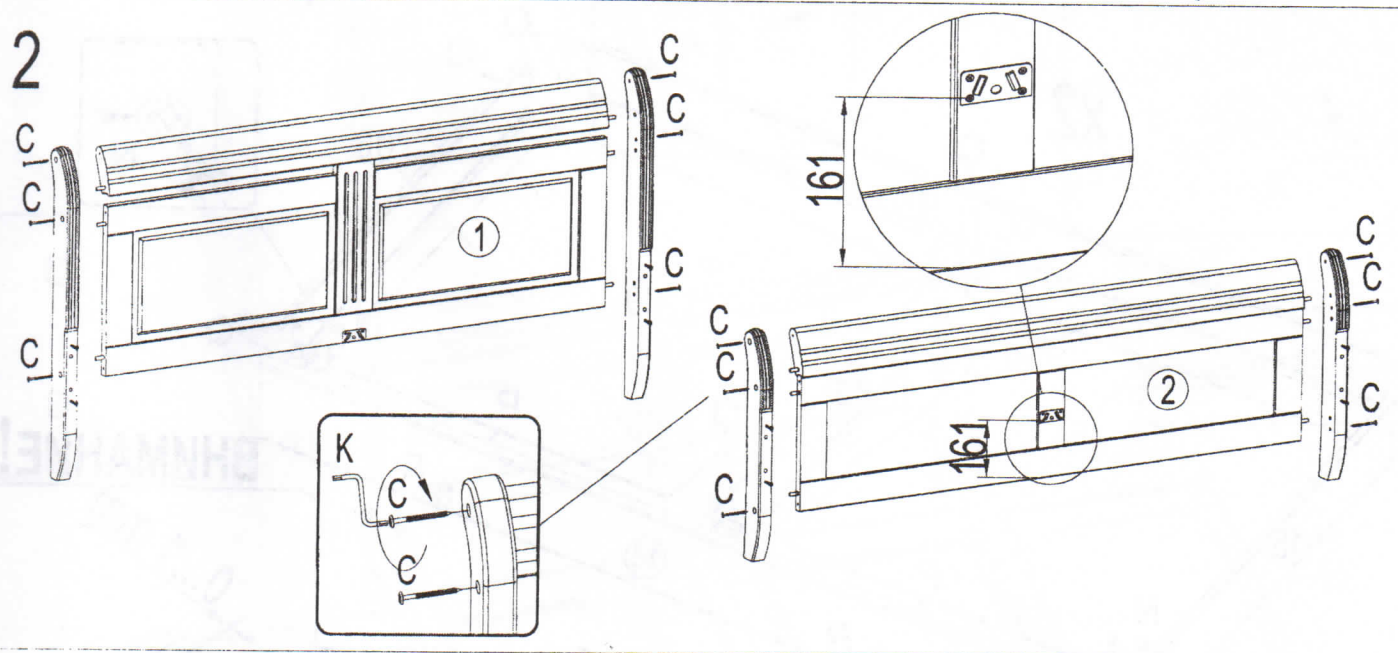
Ax10  7x70	Bx8 	Cx12 	Dx12 	Ex2 	Fx2 
Gx16  Ø3.5x15	Hx14  Ø4x17	Ix16  Ø4x55	Jx1 	Kx1 	Lx12 
Mx23  Ø10x50	Nx12 	Ox12  Ø3.5x35	Px4  M4x22	Qx32  Ø8x32	Rx4 
Sx2 	Tx2 	Ux2 	Vx2 		



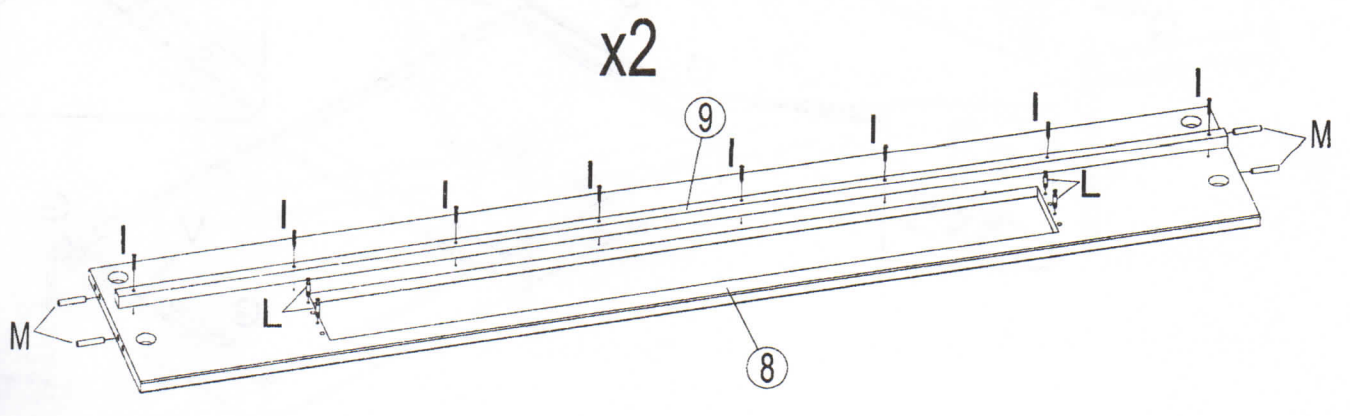
1



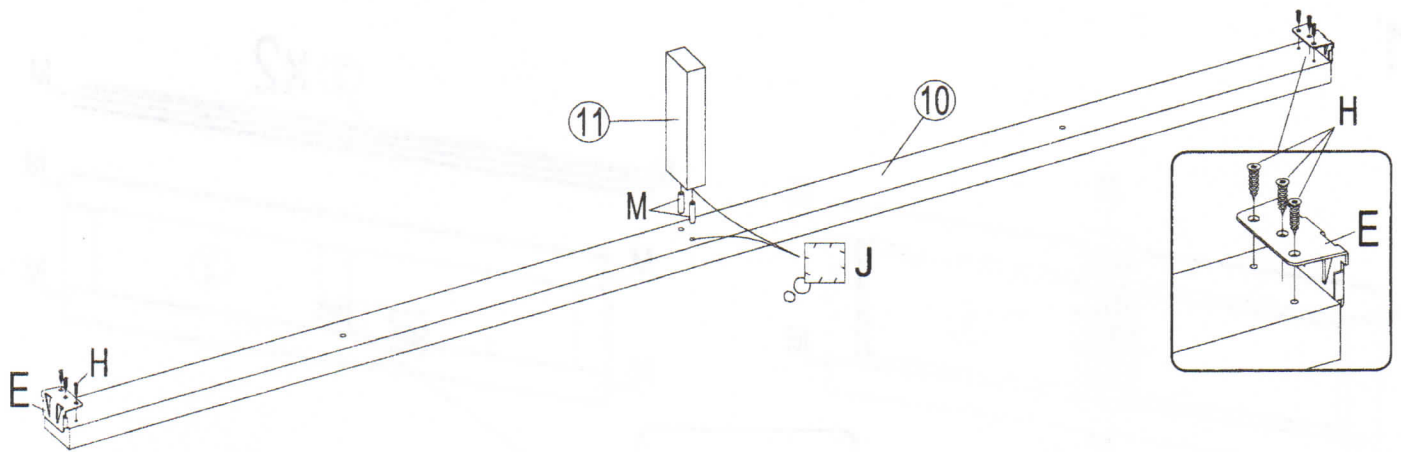
2



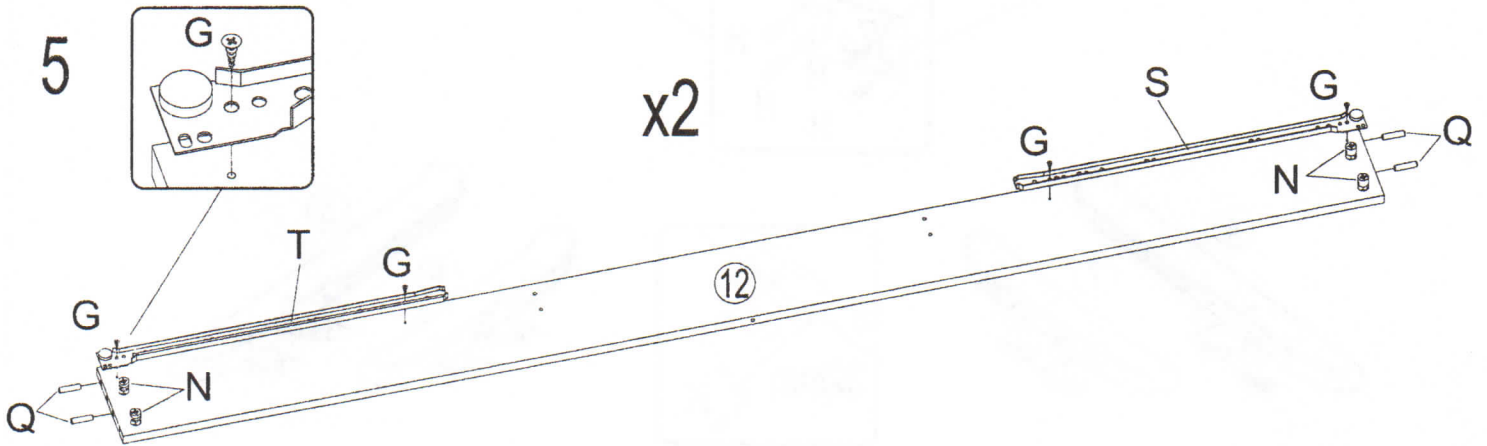
3



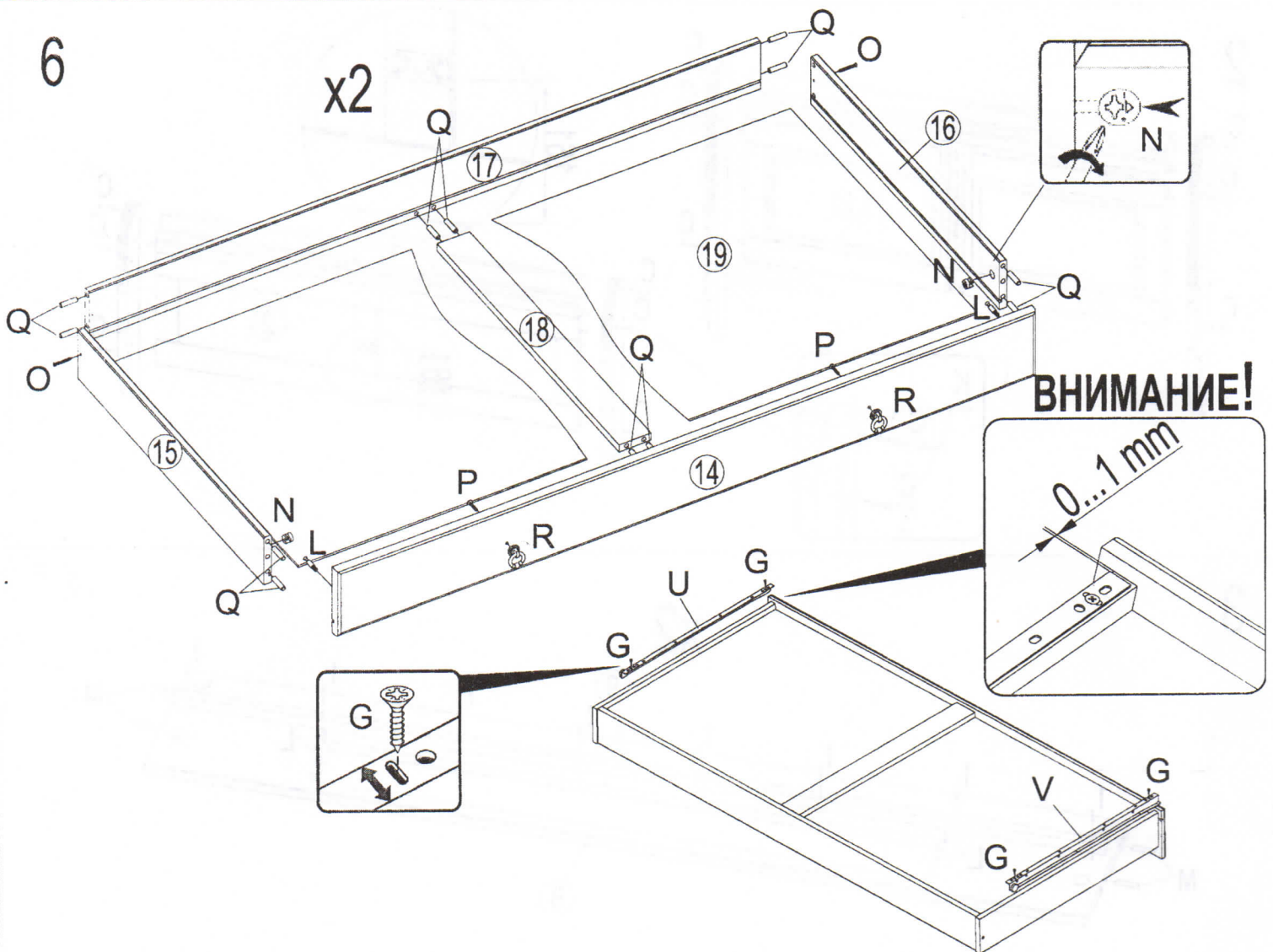
4



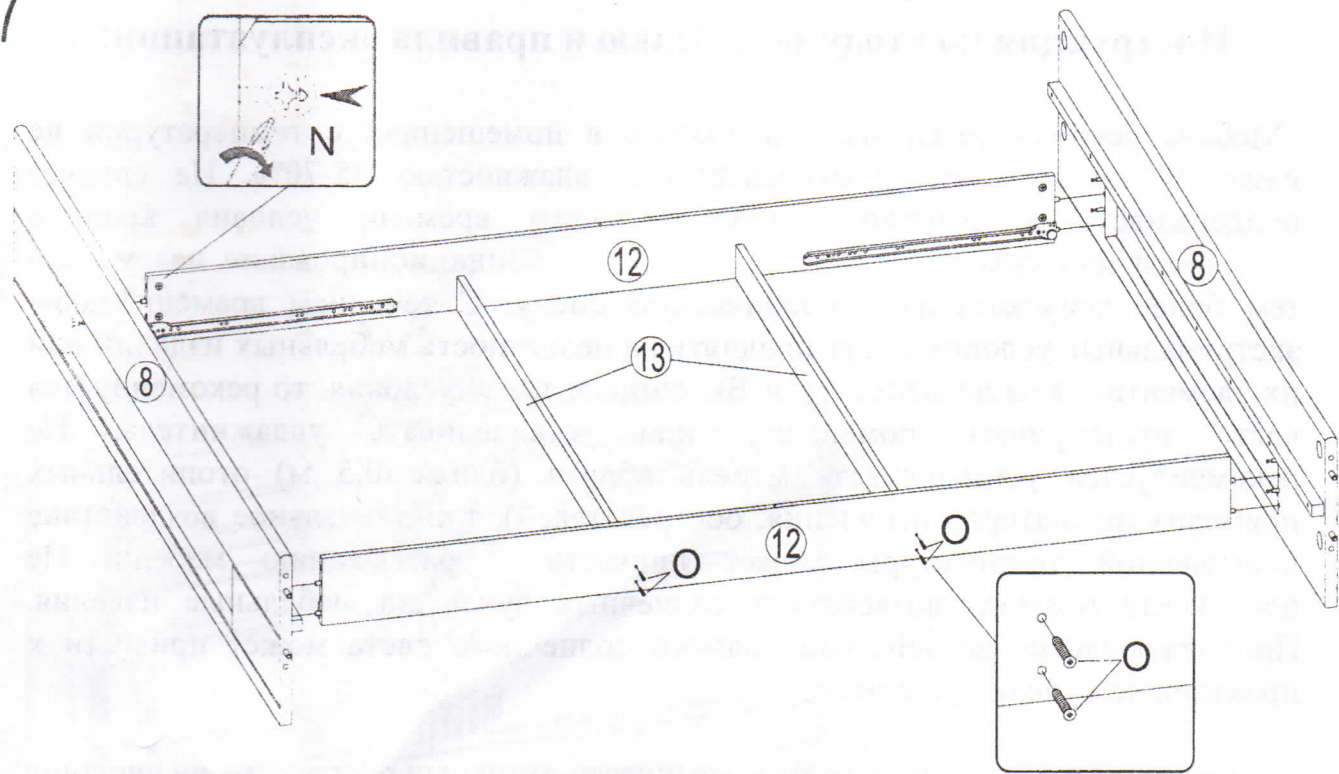
5



6



7



8

