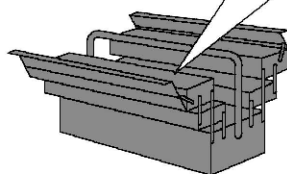
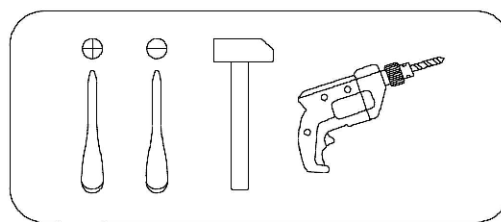
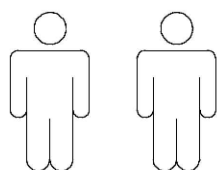
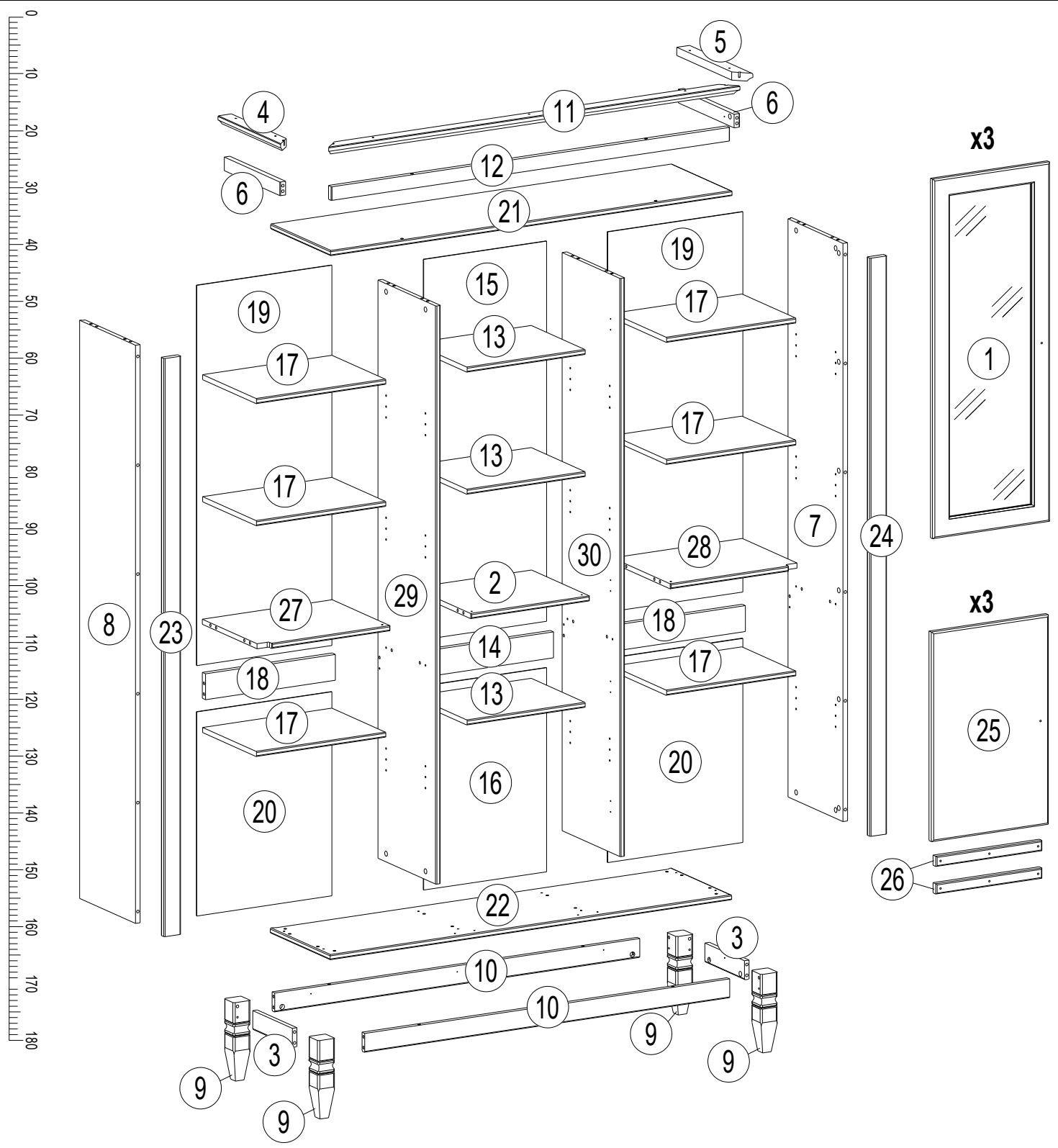








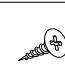


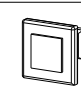


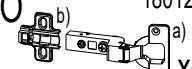
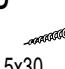




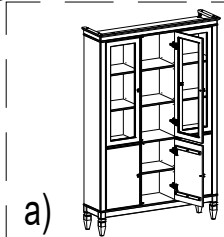
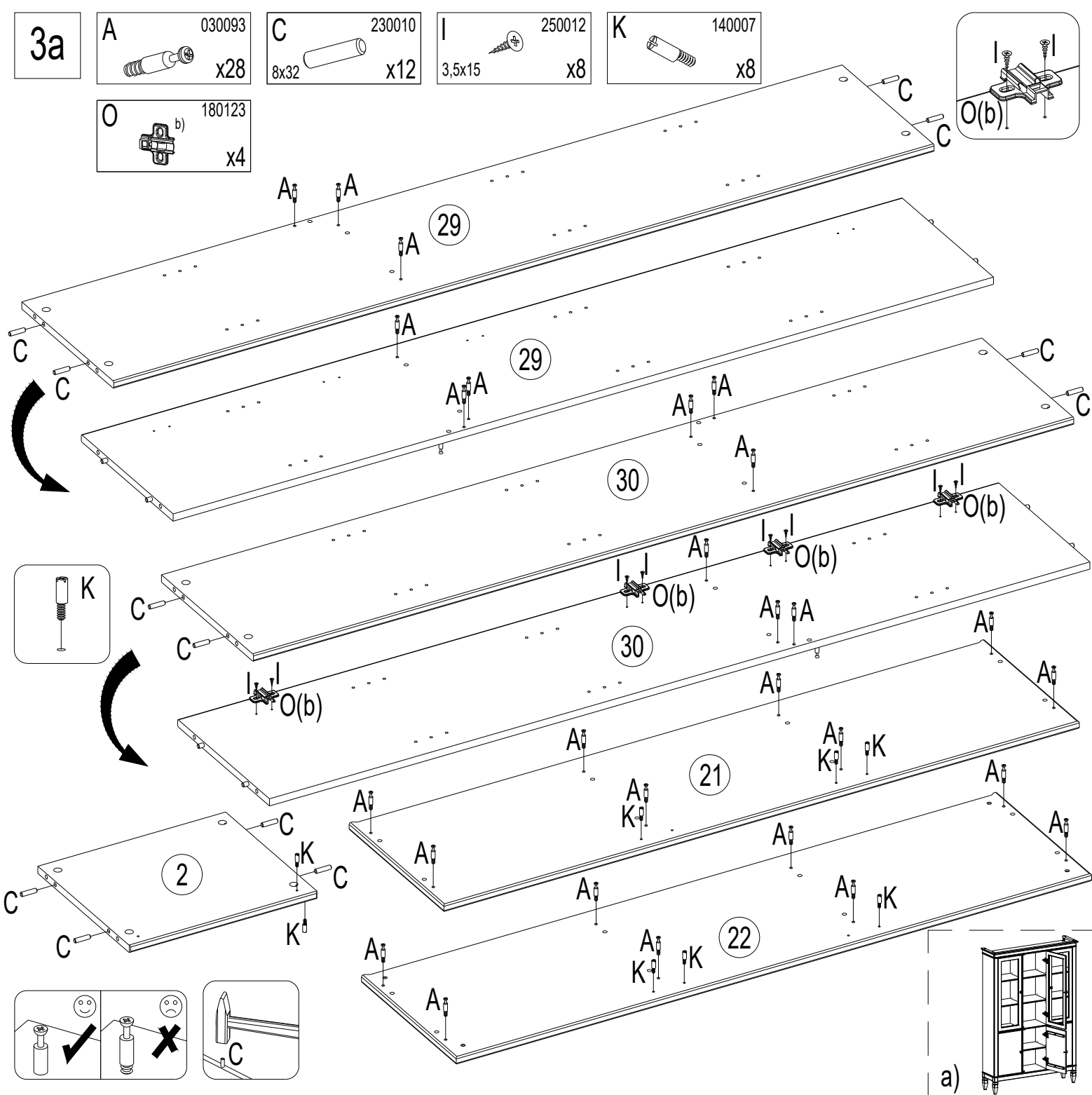
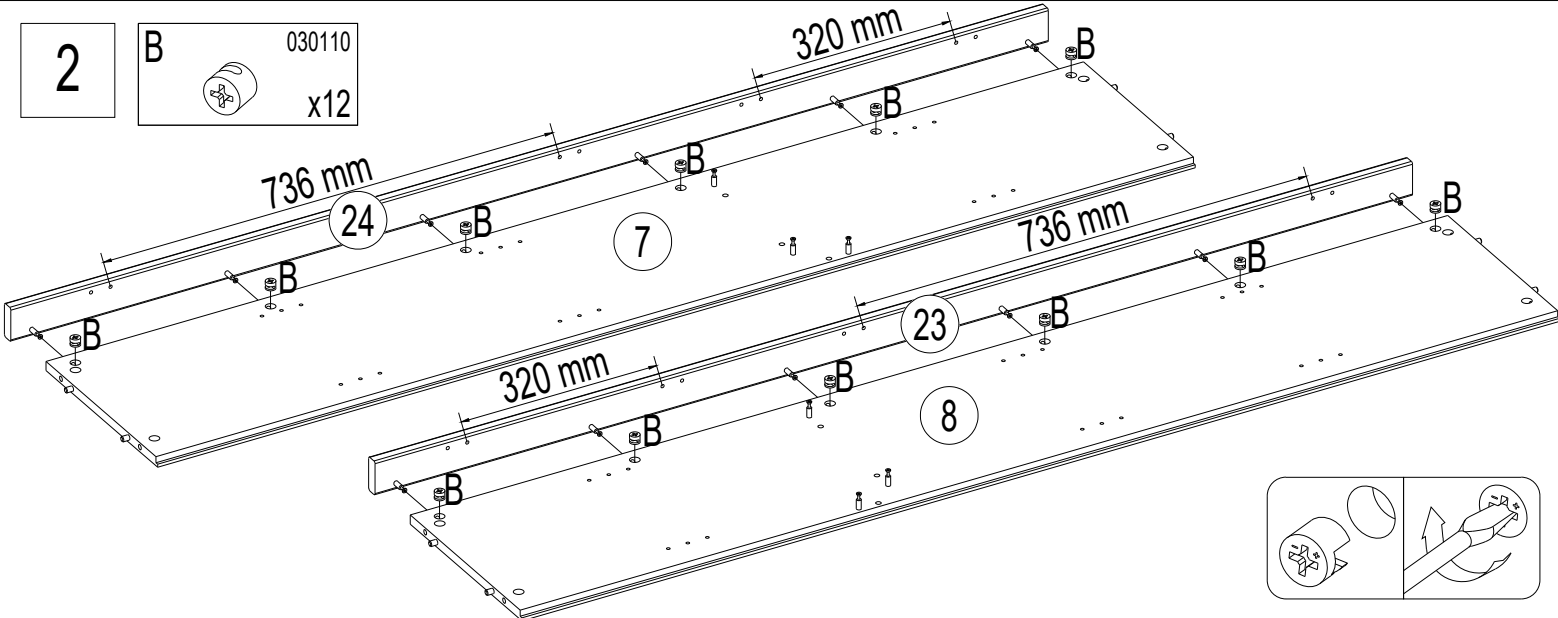


- | | | | |
|-----------|------------------------------------|-----------|--------------------------------|
| D | Montageanleitung | GB | Assembly instructions |
| FR | Notice de montage | IT | Istruzioni di montaggio |
| NL | Handleiding voor de montage | PL | Instrukcja montażu |
| CZ | Montážní návod | SK | Návod na montáž |
| HU | Szerelési útmutató | RO | Instrukțiuni de montaj |
| TR | Montaj talimatı | RU | Инструкция по монтажу |





A  030093 x56	B  030110 x56	C  230010 8x32 x50	D  190002 x36	E  220018 L=15MM x2	F  220043 1,2x20 x5
G  180074 38x28x22 x15	H  070017 30x30 x4	I  250012 3,5x15 x62	J  250024 3,5x35 x11	K  140007 x12	L  210118 x6
M  030052 M4x22 x6	N  180121 x8	O  180123 x4	P  250021 3,5x30 x18		
S  090004 8x40 x2	T  180080 x2	U  250012 3,5x15 x2	V  250044 4x40 x2		



3b

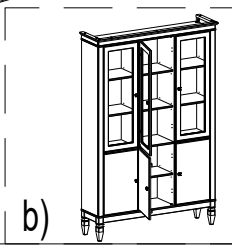
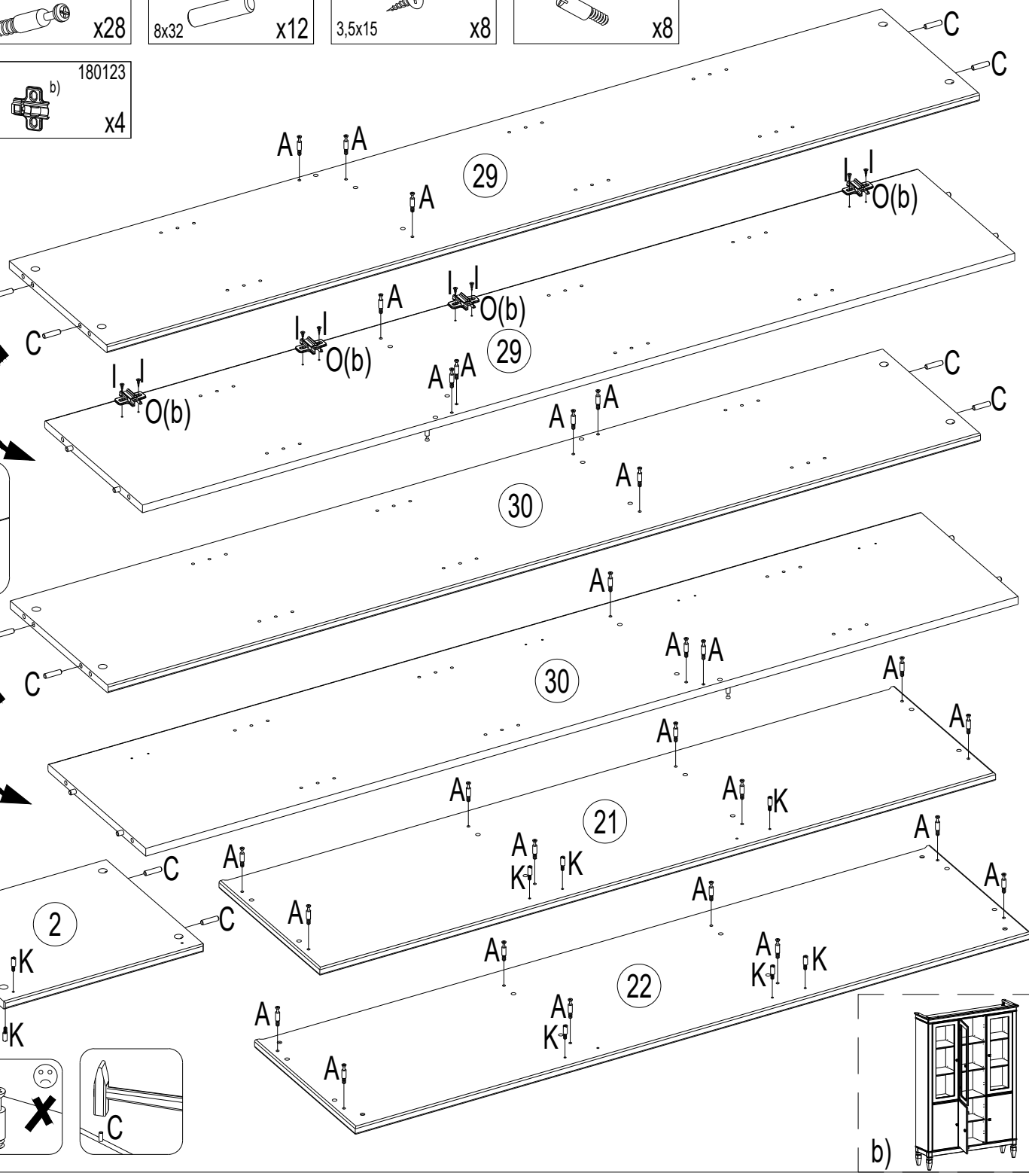
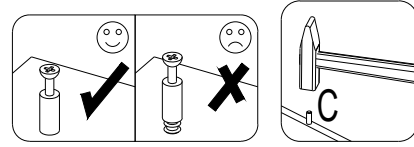
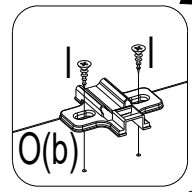
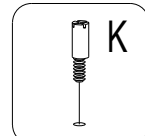
A 030093 x28

C 230010 8x32 x12

I 250012 3,5x15 x8

K 140007 x8

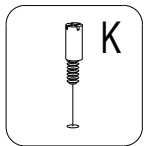
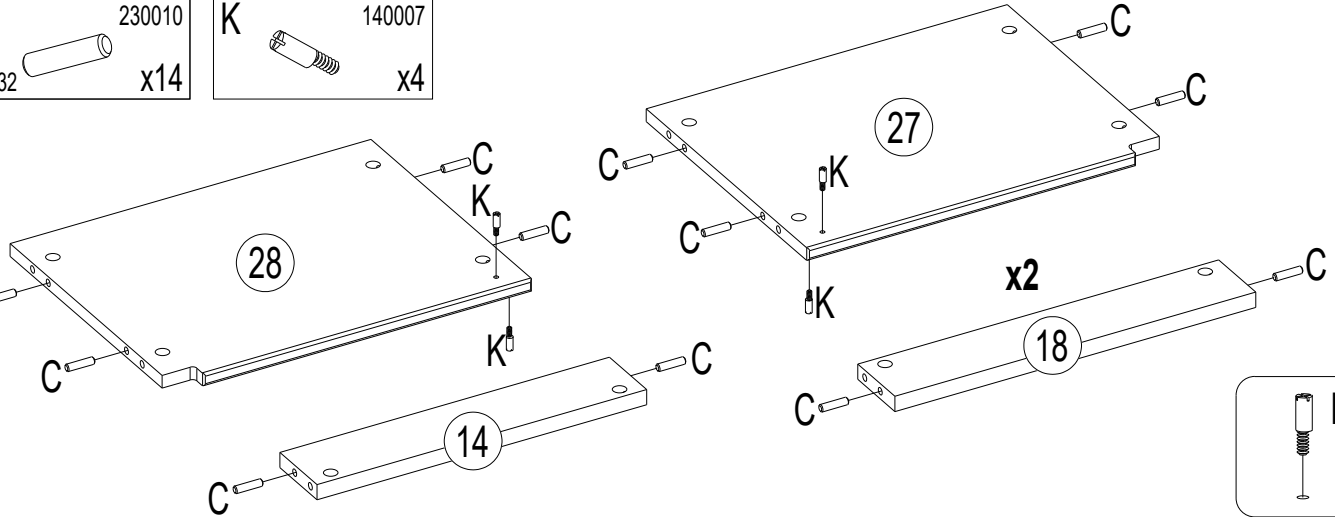
O 180123 x4



4

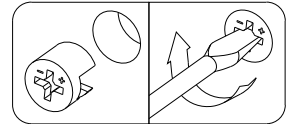
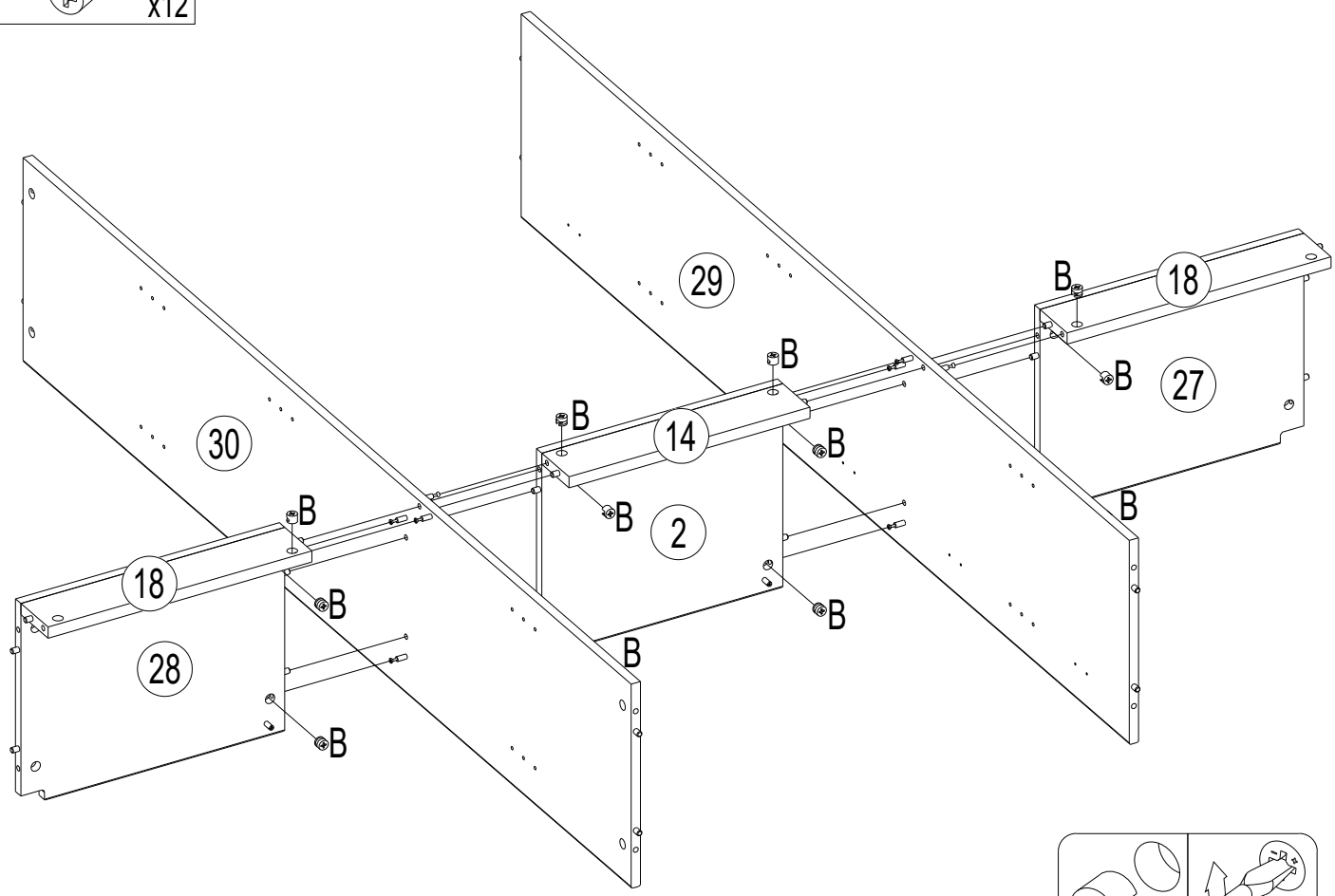
C 230010 8x32 x14

K 140007 x4



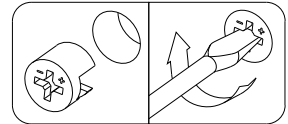
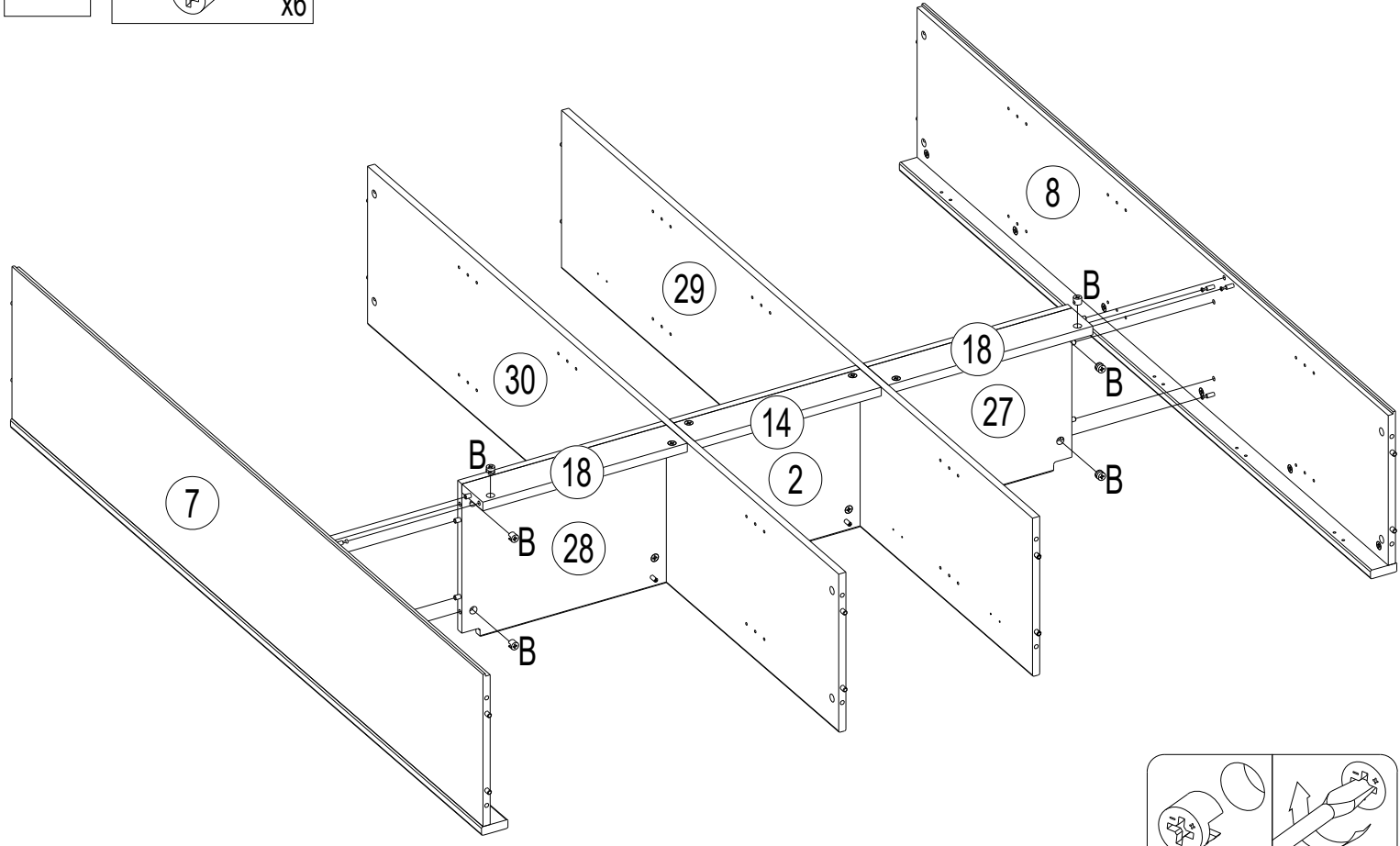
5a

B 030110 x12

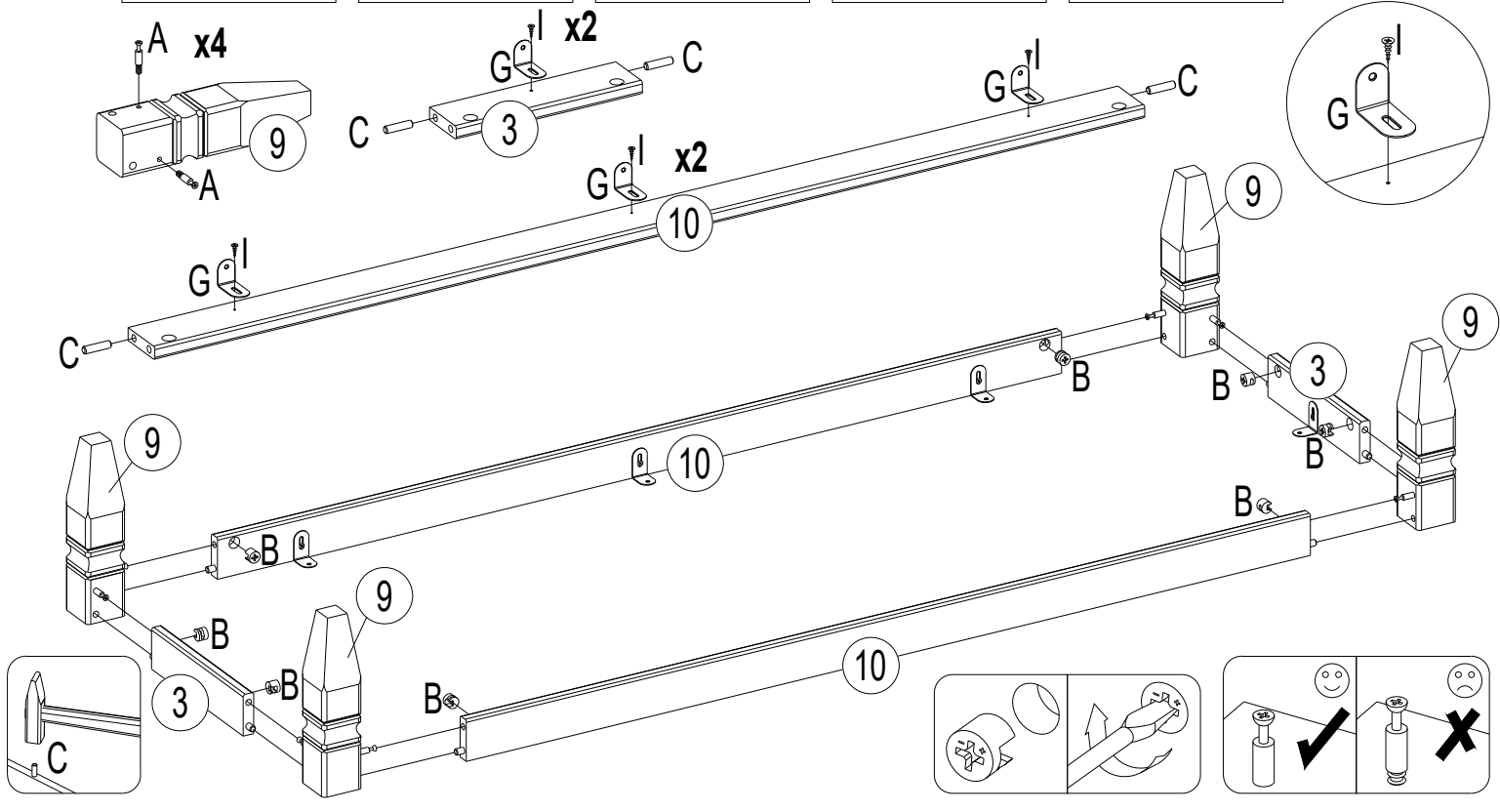


6a

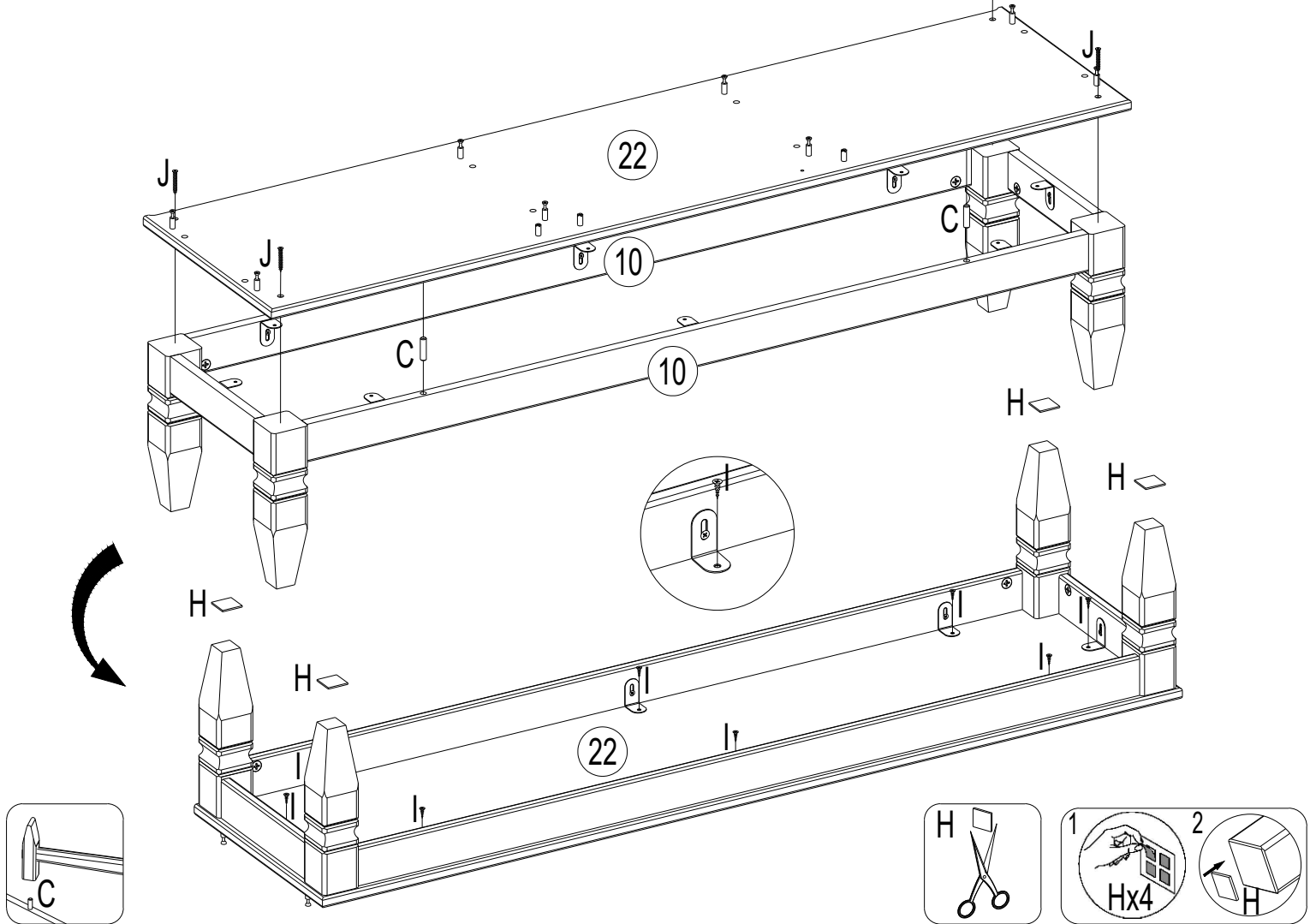
B 030110 x6



- | | | | | | |
|----------|-----------------------|-----------------------|----------------------------|--------------------------------|------------------------------|
| 7 | A 030093
x8 | B 030110
x8 | C 230010
8x32 x8 | G 180074
38x28x22 x8 | I 250012
3,5x15 x8 |
|----------|-----------------------|-----------------------|----------------------------|--------------------------------|------------------------------|



- | | | | | |
|-----------|----------------------------|-----------------------------|------------------------------|------------------------------|
| 8a | C 230010
8x32 x2 | H 070017
30x30 x4 | I 250012
3,5x15 x8 | J 250024
3,5x35 x4 |
|-----------|----------------------------|-----------------------------|------------------------------|------------------------------|



9

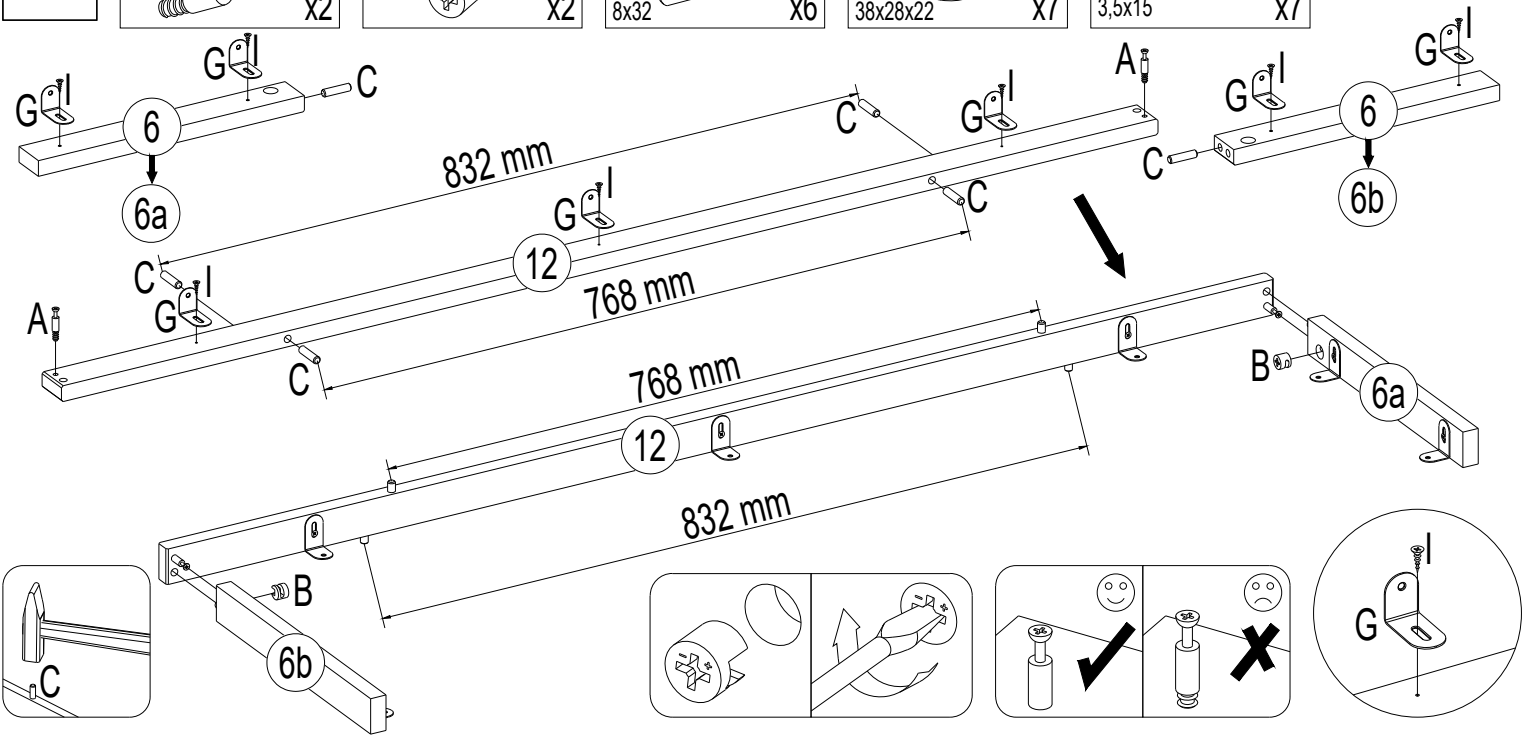
A 030093 x2

B 030110 x2

C 230010 8x32 x6

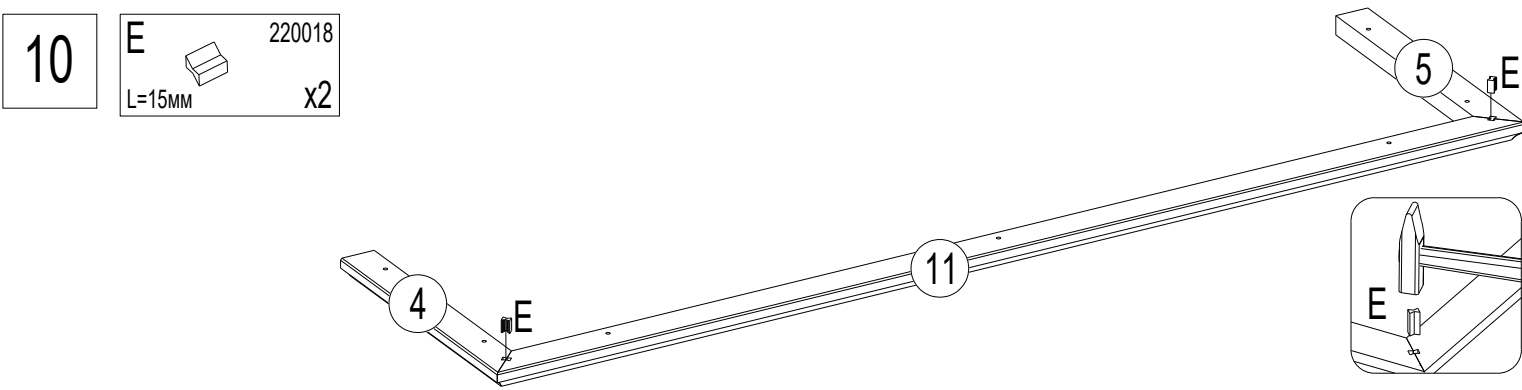
G 180074 38x28x22 x7

I 250012 3,5x15 x7



10

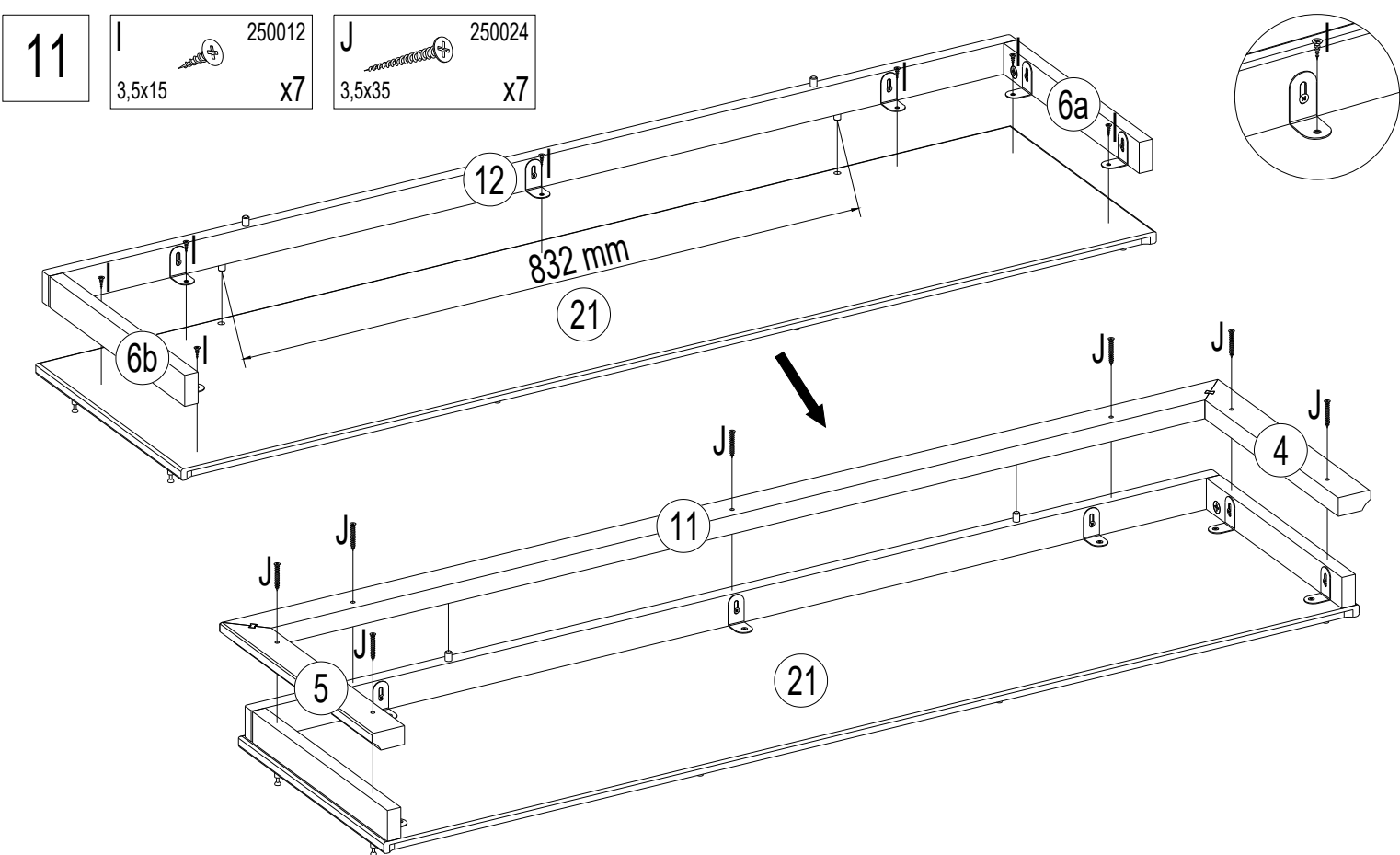
E 220018 L=15MM x2



11

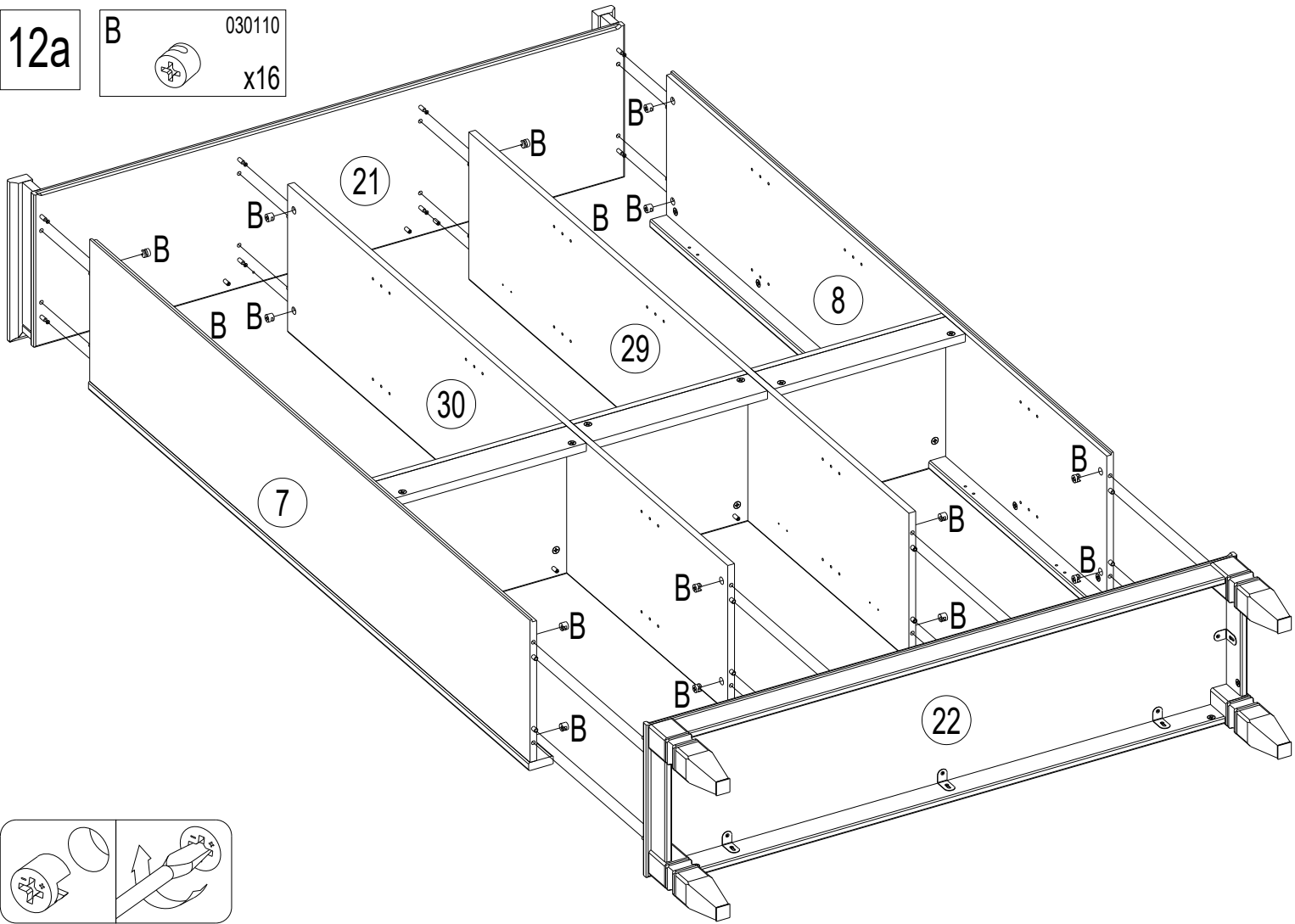
I 250012 3,5x15 x7

J 250024 3,5x35 x7



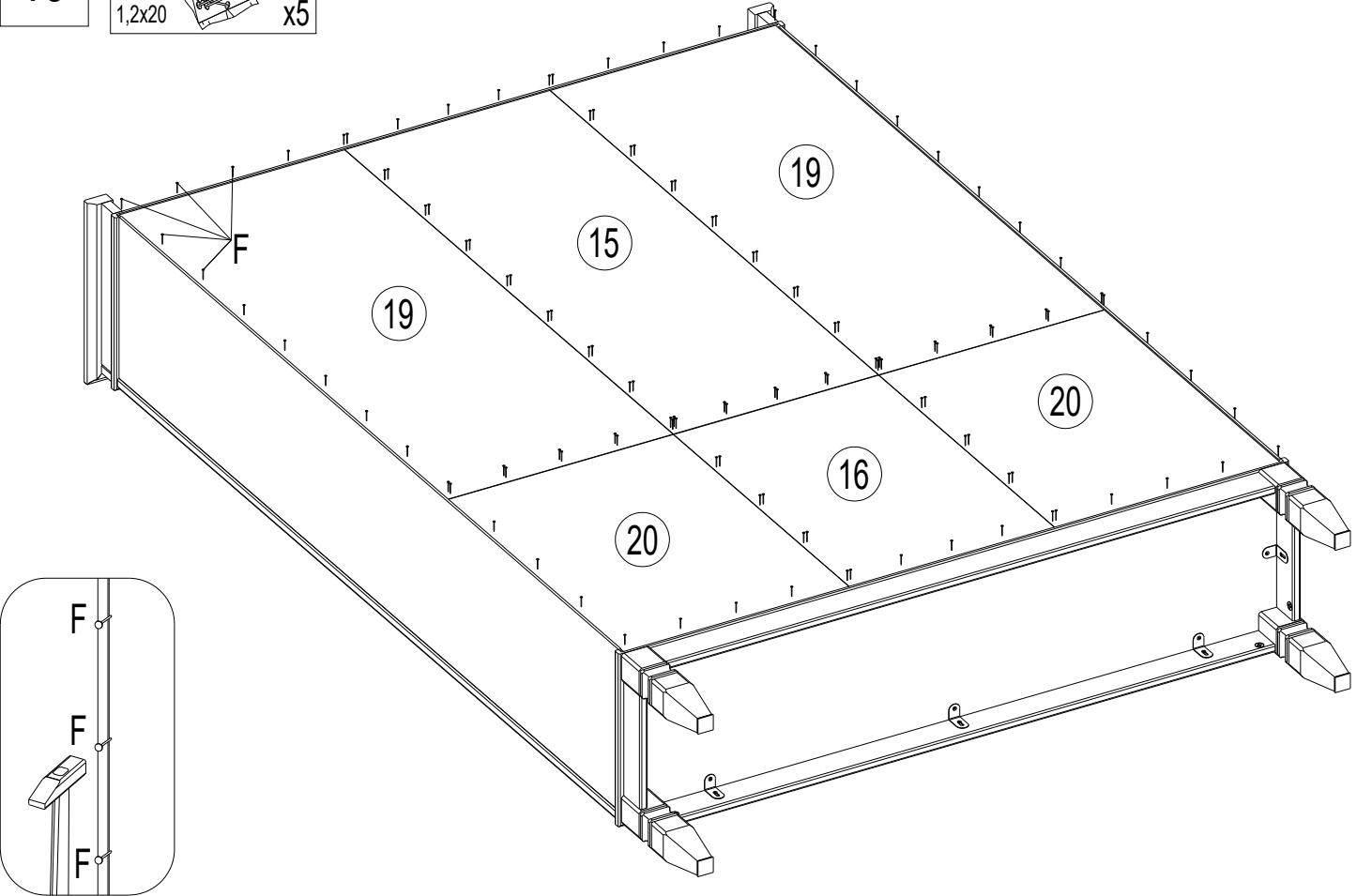
12a

B 030110 x16



13

F 220043 1,2x20 x5



14a

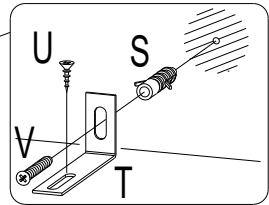
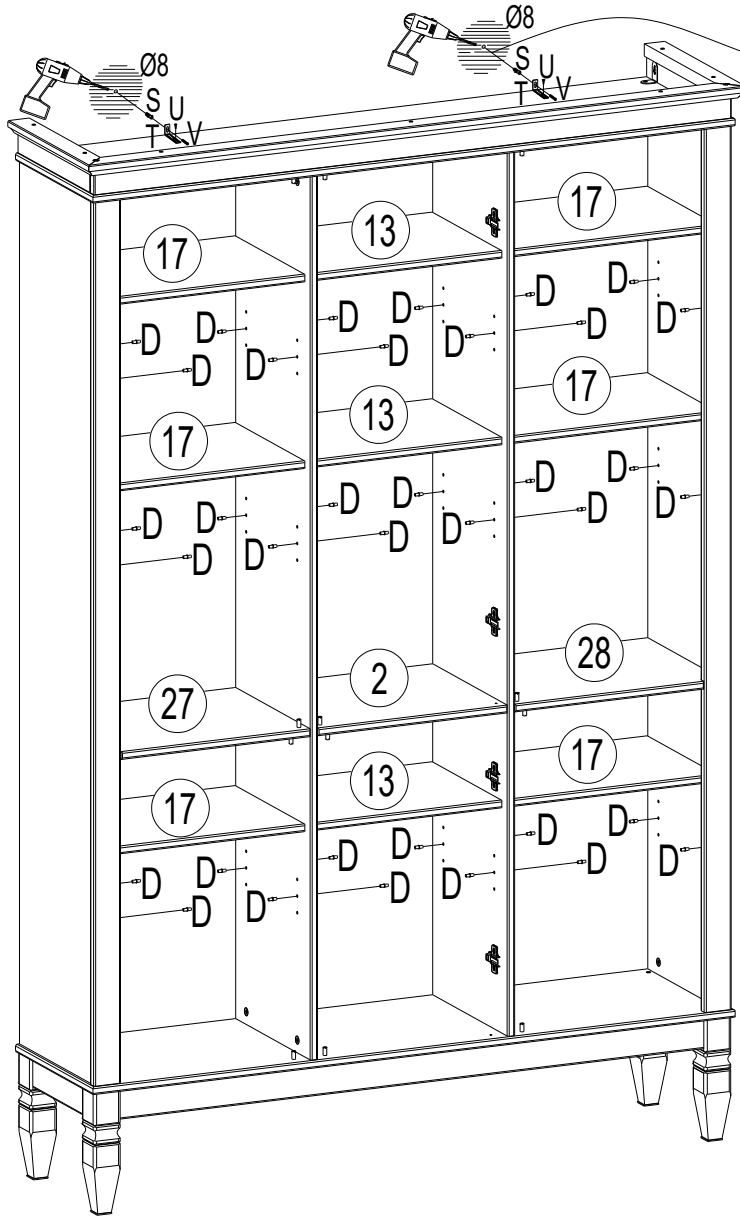
D 190002 x36

S 090004 x2
8x40

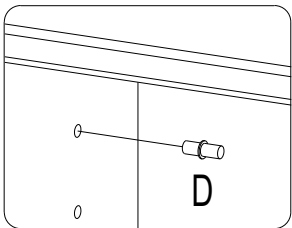
T 180080 x2

U 250012 x2
3,5x15

V 250044 x2
4x40



- 1)
- 2)
- 3)
- 4)
- 5)



15

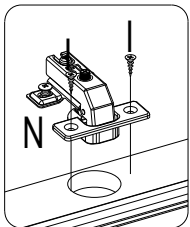
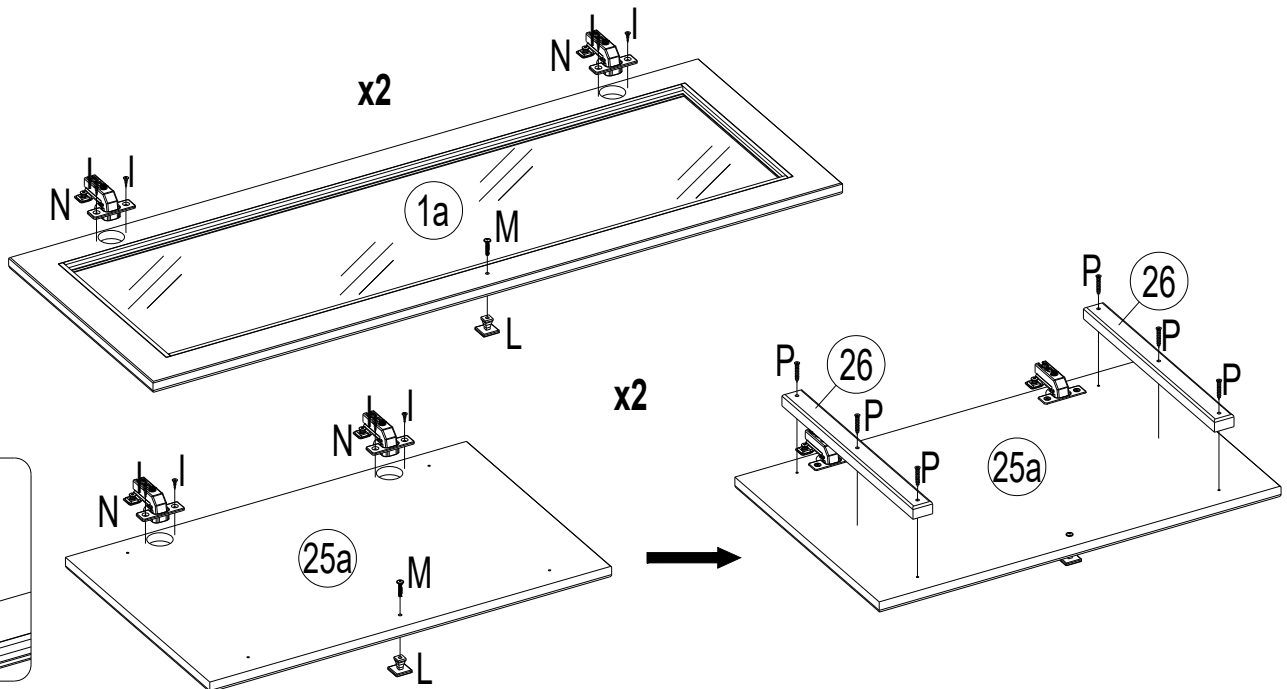
I 250012 x16
3,5x15

L 210118 x4

M 030052 x4
M4x22

N 180121 x8

P 250021 x12
3,5x30



16

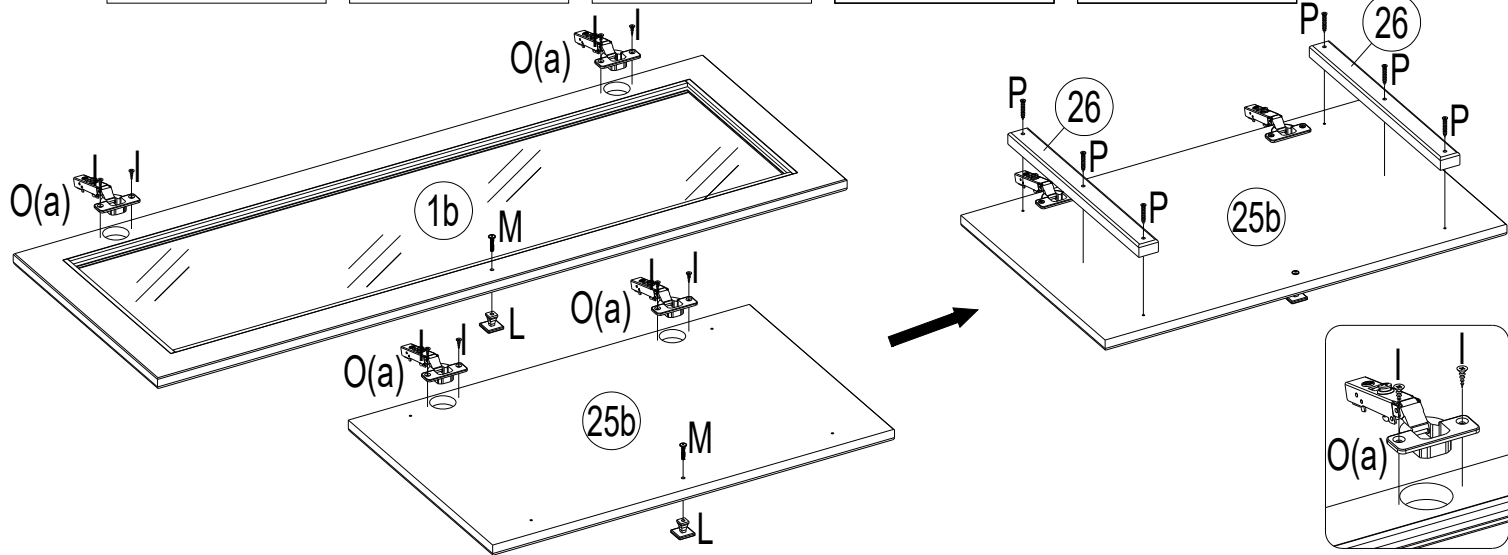
I 250012
3,5x15 x8

L 210118
x2

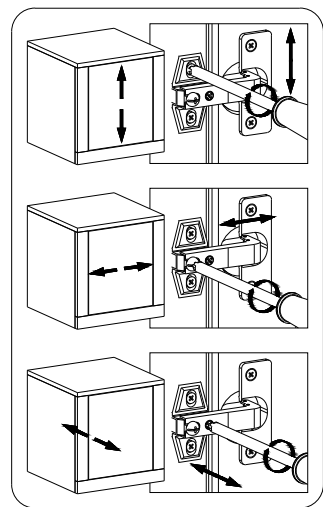
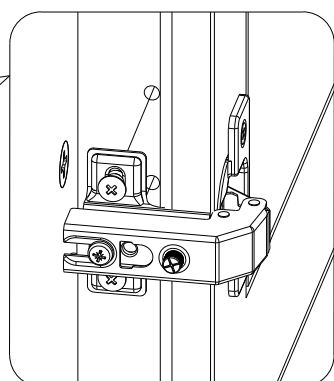
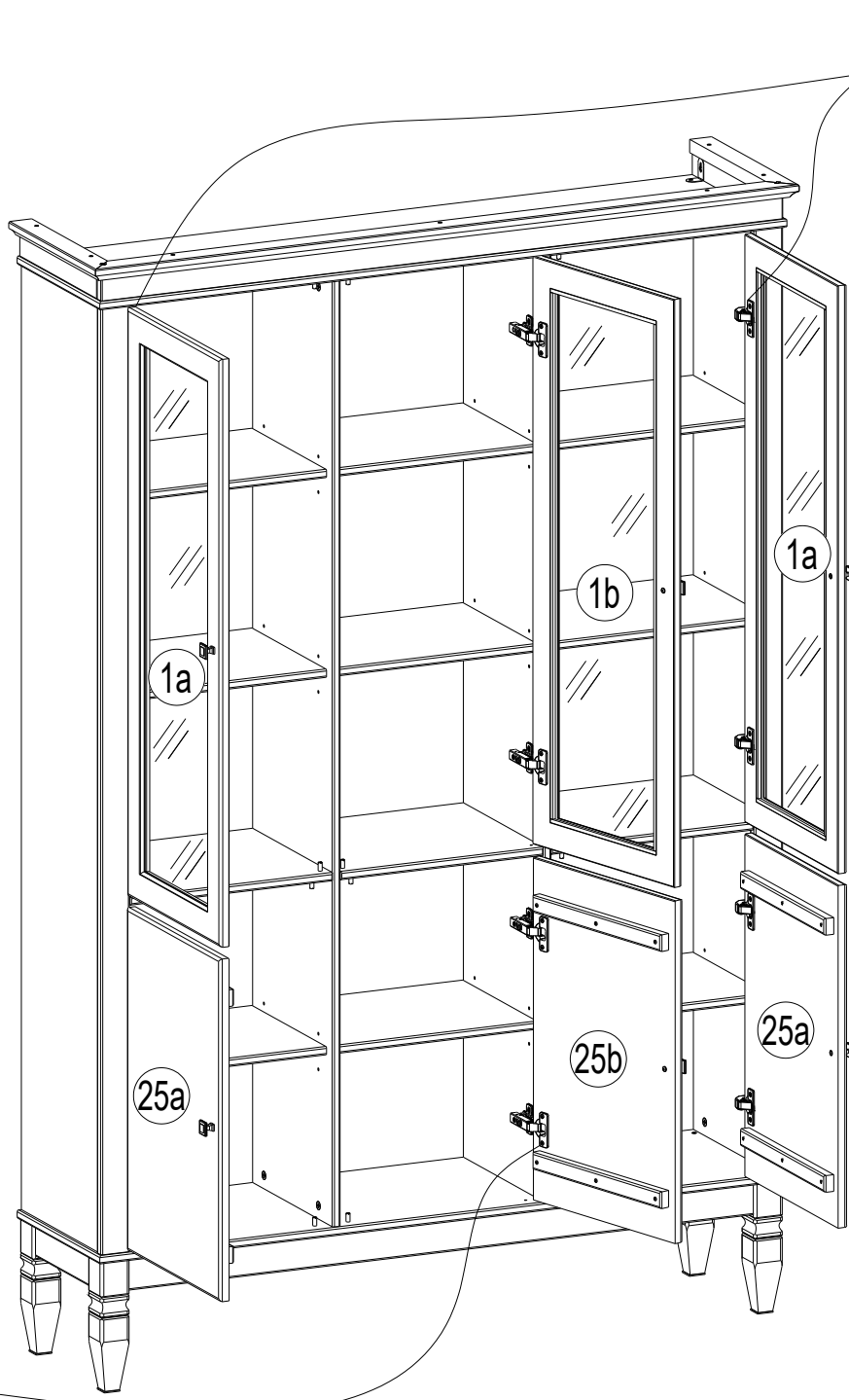
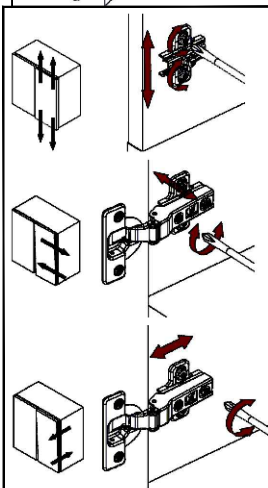
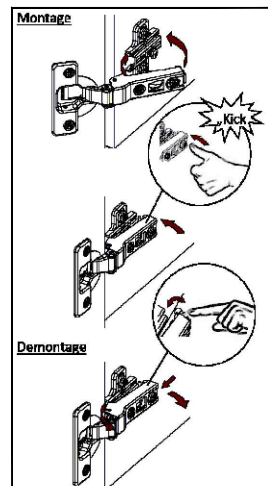
M 030052
M4x22 x2

O 180123
x4

P 250021
3,5x30 x6



17a



17b

